

Marine Products 30 Ampere, 125 Volt Cable Set

Features and Benefits

UL Listed.

Available in 25', 35' and 50' lengths.

Jute fillers inside jacket for maximum cable flexibility. Hubbell cable coils neater, lighter, lays flatter.

Molded flexneck adds life to cable set by preventing right-angle cable damage and pullout.

Strain relief bull ring protects against stress and strain on the conductors caused by boat movement, crew traffic, rough handling.

Molded design totally encased in solid PVC material, for superior waterproofing and durability.

Exclusive copper crimp barrel termination provides protection against internal overheating and burnout compared to screw terminals or brass crimps. These copper crimps are the same type used by power companies. The result: tighter connections, better conductivity, longer life.

Locking ring assures proper alignment of connector to inlet for complete contact and waterproofing. Prevents accidental disengagement.

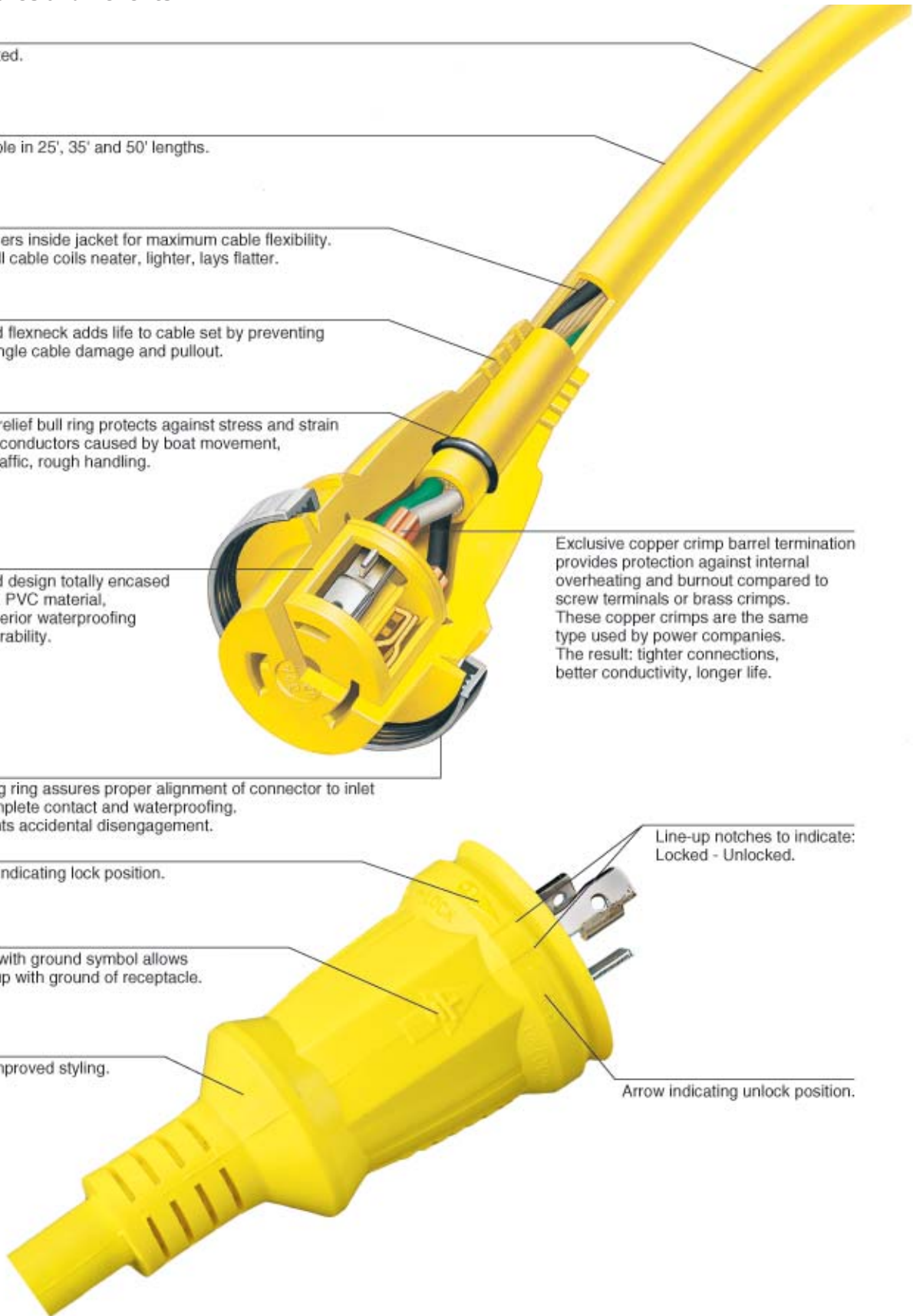
Arrow indicating lock position.

Line-up notches to indicate: Locked - Unlocked.

Arrow with ground symbol allows lining up with ground of receptacle.

New improved styling.

Arrow indicating unlock position.



Marine Products 30 Ampere, 125 Volt

2 Pole 3 Wire
Ship-to-Shore Devices



Our 30A, 125V cable set is packed with details end to end that make a high performance difference. Completely factory pre-wired with molded-on devices. Designed to coil easily and lie flat.



IP56
SUITABILITY
(Boatside)



HBL61CM08W



YC310250

30A 125V Shore Power Cable Set

Description

50' yellow vinyl jacketed shore power cable set. #10 AWG is factory pre-wired with molded-on devices. Connector end has non-metallic threaded sealing ring which makes inlet/connector interface watertight.

Same as #HBL61CM08 except 35' in length.

Same as #HBL61CM08 except 25' in length.

50' white shore power cableset.

25' white shore power cableset.

Three conductor, #10 AWG type STW, yellow PVC jacketed portable cord with jute fillers for added flexibility. Ideal for making cable sets, extension cord, and adapters as it will not mark boat's deck. 250' lengths only.

Three conductor, #10 AWG type STW, white PVC jacketed portable cord with jute fillers for added flexibility. Ideal for making cable sets, extension cord, and adapters as it will not mark boat's deck. 280' lengths only.

Catalog Numbers

HBL61CM08

HBL61CM05

HBL61CM03

HBL61CM08W

HBL61CM03W

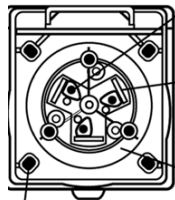
YC310250

WC310280

Marine Products Stylized Line of Shore Power Inlets

Contemporary Styling — Hubbell Quality

30 Amp Interior



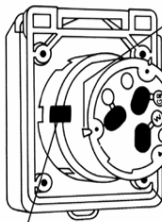
Contacts are nickel plated brass for corrosion resistance.

New easy-to-wire interior is transparent for quick, visual inspection of terminations.

Includes #SR3050 protective rear enclosure cap attaches to contact carrier with 3 screws.

Fits most mounting patterns.

50 Amp Interior



Notched contact carrier enables wiring of interior while in place.

Pressure screw terminals for secure terminations - clearly marked for easy identification.

Optional #SR3050 protective rear enclosure cap attaches to contact carrier with 3 screws.

Fits most mounting patterns.

Thermoset contact carrier is arcing and heat resistant.

Take advantage of these contemporary shore power inlets – in either rugged thermoplastic or corrosion resistant stainless steel – to add the finishing touch to a boat going into production or to modernize a boat that’s seen many seasons of use. Both the gleaming, white Centrex® non-metallic models and the brushed, type 316 stainless steel models offer the same features. For starters, you’ll be glad to hear that these Hubbell shore power inlets install as easy as 1-2-3 and match most mounting patterns available. Then you’ll discover that they have a lot of built-in extras like a friction-tight cover that automatically holds the cover open while inserting the cable set. Plus, you’ll find inside a genuine Hubbell wiring device with all of the quality characteristics that have made Hubbell the marine electrical products leader. What’s more, you can complement these stylish devices with phone and TV inlets for a complete family.

Stylized Watertight Stainless Steel Shore Power Inlet Series

- #316 stainless steel for corrosion resistance.
- Does not require screwing down of cover for water resistance.
- Fully watertight when locked closed to comply with ABYC recommendations (E-8.21).

Stylized Weatherproof Non-Metallic Shore Power Inlet Series

- Centrex non-metallic cover is specifically designed for outdoor use with outstanding UV resistance, impact resistance and weatherability.
- Meets ABYC (E-8.21) recommendations for inlets installed in weatherproof areas.



Centrex® is a registered trademark of Monsanto; Rynite® is a trademark of E. I. DuPont.



Marine Products

30 Ampere, 125 Volt

2 Pole 3 Wire

Ship-to-Shore Devices



IP56
SUITABILITY Inlets Only.



30A 125V Ship-to-Shore Devices

Description	Catalog Numbers
Stylized UV resistant non-metallic shore power inlet has white Centrex cover which makes unit weatherproof when completely closed. Interior has easy-to-wire terminations and is transparent for quick and easy visual inspection. Mounting holes are 2 3/8" (60.3) on centers and match existing mounting patterns. Mounting screws and gasket included. Protective rear enclosure/strain relief also included.	HBL303NM
Stylized type 316 stainless steel shore power inlet has easy to use push-button latch that makes unit watertight when fully engaged. Interior has easy-to-wire terminations and is transparent for quick and easy visual inspection. Mounting holes are 2 3/8" (60.3) on centers and match existing mounting patterns. Mounting screws and gasket included. Protective rear enclosure/strain relief also included.	HBL303SSBL
Traditional, stainless steel shore power inlet has new easy-to-wire terminations. Interior is transparent for quick and easy visual inspection. Interior is shielded from the elements by a gasketed, self-closing cover, watertight when cover is screwed in place. Mounting holes are 2 3/8" (60.3) on centers. Mounting screws and gasket included. Protective rear enclosure/strain relief also included.	HBL303SS
Protective rear cover. Fits all 30 Amp shore power inlets. Secures to back of inlets with 3 screws which are provided.	SR3050
Replacement interior for #HBL303SS and #60CM61 shore power inlets.	HBL303INT
Nickel plated brass adapter plate for mounting chrome plated brass shore power inlets to FS/FD box.	HBL60CM75*
Stainless steel power outlet has gasketed, self-closing cover, watertight when cover is screwed in place. Mounting holes are 2 3/8" (60.3) on centers. Mounting screws and gasket included.	HBL303SSO

*Not shown.



HBL303NM

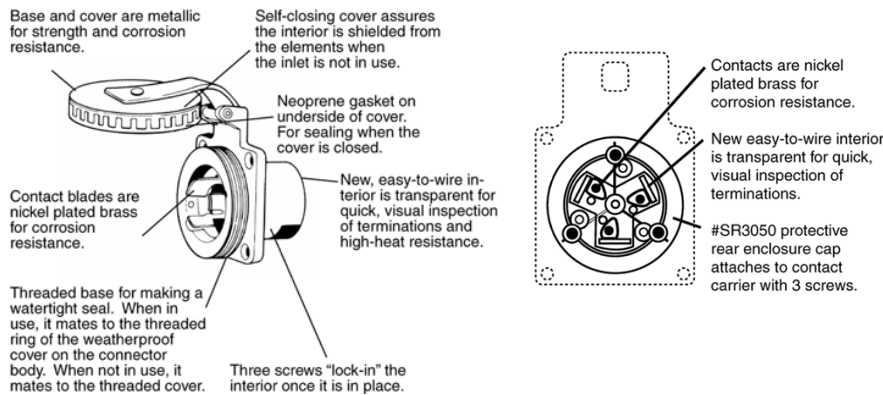


HBL303SSBL



HBL303SS

30A 125V Traditional Metallic Inlets



SR3050



HBL303SSO

Marine Products 30 Ampere, 125 Volt

2 Pole 3 Wire Ship-to-Shore Devices



HBL26CM10



HBL26CM11



HBL60CM31



HBL26CM13



HBL60CM33



HBL60CM32



Plugs, receptacles and connectors only.

IP20

SUITABILITY Plugs and connectors only.



30A 125V

30A 125V Ship-to-Shore Devices

Description	Catalog Numbers
Yellow single receptacle has Rynite® body and abuse resistant nylon face.	HBL26CM10
Yellow Insulgrip® plug has rugged nylon housing and cord grip with range of .325" to .930" (8-24) that utilizes a unique offset jaws arrangement to provide secure strain relief.	HBL26CM11
Yellow Seal-Tite® cover for weatherproofing #HBL26CM11 or #HBL23CM11 plugs. IP55 SUITABILITY. <i>Note: Fits Insulgrip® devices only.</i>	HBL60CM31
White vinyl Seal-Tite® cover for weatherproofing #HBL26CM11 or #HBL23CM11 plugs. IP55 SUITABILITY. <i>Note: Fits Insulgrip® devices only.</i>	HBL60CM31W*
Yellow Insulgrip® connector body has rugged nylon housing and cord grip with range of .325" to .930" (8-24) that utilizes a unique offset jaws arrangement to provide secure strain relief	HBL26CM13
Yellow Seal-Tite® cover for weatherproofing #HBL26CM13 or #HBL23CM13 connector bodies when used with shore power inlets. Threaded sealing ring makes connection watertight. Also for weatherproofing #HBL26CM11 plug when used with #HBL303SSO power outlet. IP56 SUITABILITY. <i>Note: Fits Insulgrip® devices only.</i>	HBL60CM33
White Seal-Tite® cover for weatherproofing #HBL26CM13 or #HBL23CM13 connector body when used with shore power inlets. Threaded sealing ring makes connection watertight. Also for weatherproofing #HBL26CM11 plug when used with #HBL303SSO power outlet. IP56 SUITABILITY. <i>Note: Fits Insulgrip® devices only.</i>	HBL60CM33W*
Yellow Seal-Tite® cover for weatherproofing #HBL26CM13 or #HBL23CM13 connector bodies when used on extension cords or adapters. IP55 SUITABILITY. <i>Note: Fits Insulgrip® devices only.</i>	HBL60CM32
Yellow polycarbonate spring-loaded lift cover plate for weatherproofing <i>old</i> style #26CM10 receptacle. Meets the most stringent requirements of UL's three listing categories for weatherproof plates. Stainless steel screws and neoprene gasket included for mounting to FS/FD type weatherproof boxes. IP44 SUITABILITY.	HBL74CM24WO**
Same as #HBL74CM24WO except gray in color. IP44 SUITABILITY.	HBL7424WO**
Yellow polycarbonate spring-loaded lift cover plate for weatherproofing #HBL26CM10 receptacle. Meets the most stringent requirements of UL's three listing categories for weatherproof plates. Stainless steel screws and neoprene gasket included for mounting to FS/FD type weatherproof boxes. IP44 SUITABILITY.	HBL74CM25WOA**
Same as #HBL74CM25WOA except gray in color. IP44 SUITABILITY.	HBL7425WOA**
Stainless steel wallplate for <i>old</i> #23CM10 or #26CM10.	S725*
Stainless steel wallplate for new #HBL23CM10 or #HBL26CM10.	S720*

*Not shown.

**See page V-47 for photo.

Rynite® is a registered trademark of E. I. DuPont.

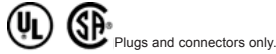


Marine Products

30 Ampere, 125 Volt

2 Pole 3 Wire

Ship-to-Shore Devices



IP20
SUITABILITY Plugs and connectors only.



30A 125V Ship-to-Shore Devices

Description	Catalog Numbers
Yellow Valise® plug has one-piece nylon housing and assembles easily with two screws. Built-in cord grip has range of .590"-.930" (15.0-23.6).	HBL26CM11V
Black Valise® plug for use on bass boats with trolling motor. One-piece nylon housing assembles easily with two screws. Built-in cord grip has a range of .590"-.930" (15.0-23.6).	HBL26CM11VB
Yellow vinyl Seal-Tite® cover for weatherproofing #HBL23CM11V or #HBL26CM11V plugs. IP55 SUITABILITY. <i>Note: Fits Valise® devices only.</i>	HBL60CM31V
Yellow Valise® connector body has a one-piece nylon housing and assembles easily with two screws. Built-in cord grip has range of .590"-.930" (15.0-23.6).	HBL26CM13V
Yellow vinyl Seal-Tite® cover for #HBL26CM13V connector body when used with shore power inlets. Threaded sealing ring makes connection watertight. IP56 SUITABILITY. <i>Note: Fits Valise® devices only.</i>	HBL60CM33V
Yellow vinyl Seal-Tite® cover for weatherproofing #HBL23CM13V or #HBL26CM13V connector bodies when used on extension cords or adapters. IP55 SUITABILITY. <i>Fits Valise® devices only.</i>	HBL60CM32V
Replacement non-metallic sealing ring for 30A cable sets and boots.	RPL30P



HBL26CM11V



HBL26CM11VB



HBL60CM31V



RPL30P



HBL26CM13V

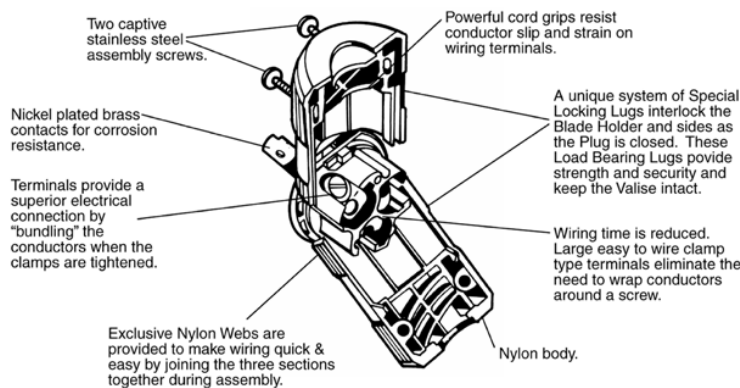


HBL60CM33V



HBL60CM32V

Valise Plug



Marine Products
Telephone & Cable TV
Ship-to-Shore Devices



HBLPHTVNM



HBLPHTVRI



HBLPHTVSS



PH6625



PH6624



PH7440

IP56
 SUITABILITY Inlets only.

Telephone and Cable TV Ship-to-Shore Devices

Description	Catalog Numbers
Stylized non-metallic inlet provides telephone and cable TV connections in one unit. UV resistant white Centrex cover makes unit weatherproof when completely closed. Mounting holes are 2 3/8" (60.3) on centers and match existing mounting patterns. Mounting screws and gasket provided.	HBLPHTVNM
Stylized stainless steel (Type 316) inlet provides telephone and cable TV connections in one unit. Easy to use push-button latch makes unit watertight when fully engaged. Mounting holes are 2 3/8" (60.3) on centers and match existing mounting patterns. Mounting screws and gasket provided.	HBLPHTVRI
Traditional stainless steel inlet provides connections for telephone and cable TV in one unit. Connections can be used individually or together. Gasketed cover is self-closing so interior is shielded from the elements when not in use. Watertight when cover is screwed in place. Mounting holes are 2 3/8" (60.3) on centers. Mounting screws and gasket included.	HBLPHTVSS
Replacement interior for #PH6594TV and #HBLPHTV series inlets.	CR16914*
Factory pre-wired 50' (15.2m) telephone cable set. Uses 3 conductor, #16 AWG type SJTO, yellow vinyl cord for marine and recreational vehicle applications. IP55 SUITABILITY.	PH6599
Same as #PH6599 except white. IP55 SUITABILITY.	PH6599W
Same as #PH6599 except 25' (7.6m) in length. IP55 SUITABILITY.	PH6598
Same as #PH6598 except white. IP55 SUITABILITY.	PH6598W
Three conductor, #16 AWG type SJTO, yellow PVC jacketed portable cord with jute fillers for added flexibility. Ideal for making cable sets, extension cords and adapters as it will not mark boat's deck. For use with telephone systems only and available in 250' (76.2m) lengths only.	PH6630*
Black locking type plug for telephone cable sets or adapters.	PH6625
Black locking type connector body used on telephone cable sets or adapters.	PH6624
Yellow Seal-Tite® cover for weatherproofing #PH6624 connector body on cable sets when connecting to an inlet and for weatherproofing #PH6625 plug. IP55 SUITABILITY.	PH7440
Yellow Seal-Tite cover for weatherproofing #PH6624 connector body when used on extension cords or adapters. IP55 SUITABILITY.	PH7499*

*Not shown.



PH6598
 PH6599
 PH6598W
 PH6599W



Marine Products
Telephone & Cable TV
Ship-to-Shore Devices

IP55
SUITABILITY

Telephone and Cable TV Ship-to-Shore Devices

Description	Catalog Numbers
Black polycarbonate combination telephone/TV outlet with spring-loaded weatherproof lift cover. Can be wired for telephone service only or for telephone and MATV/CATV services in one FS/FD box in both marinas and RV parks. Can be padlocked to prevent unauthorized use.	PH6597TV
Black polycarbonate telephone outlet has gasketed, spring-loaded lift cover for weatherproofing. Designed for mounting to FS/FD type weatherproof boxes (like #PH6619) in both marinas and RV parks.	PH6597
Black polycarbonate cable TV outlet has nickel plated coax connector and gasketed spring-loaded lift cover for weatherproofing. Designed for mounting to FS/FD type weatherproof boxes (like #PH6619) in both marinas and RV parks.	TV97
Black polycarbonate telephone outlet has gasketed, spring-loaded lift cover for weatherproofing. Can be used to retrofit old style telephone outlets of Pauluhn Manufacturing Company (#2833 and #2843) in both marinas and RV parks.	PH6596
Black non-metallic FS box with 3/4" threaded hubs used for mounting phone and TV outlets and #PH6595 recreational vehicle inlet (see #PH6621 for mounting box on recreational vehicle). Cord connector included for strain relief and to maintain watertight integrity of box when cable is used. PVC adapter also included for connection of PVC conduit to box.	PH6619
Stainless steel bracket for mounting #PH6619 FS box to recreational vehicles when used with #PH6595 inlet.	PH6621*
Black polycarbonate RV inlet for telephone connection only. Has spring-loaded, gasketed weatherproof lift cover designed for mounting to FS/FD type weatherproof boxes.	PH6595
50' (15.2m) yellow jacketed ship-to-shore TV cable set is the industry standard 75 Ohm, RG59-U with male plugs on both ends. Adapter included for a quick, slip-on connection to inlet on boat.	TV99
Same as #TV99 except white.	TV99W
Same as #TV99 except 25' (7.6m) in length.	TV98
Same as #TV98 except white.	TV98W

*Not shown.



**TV98
 TV99
 TV98W
 TV99W**



PH6597TV



PH6597



TV97



PH6596



PH6619



PH6595

Marine Products
50 Ampere, 125 Volt
 2 Pole 3 Wire
Ship-to-Shore Devices



HBL503NM



HBL503RI



HBL503SS



HBL63CM60



HBL77CM15



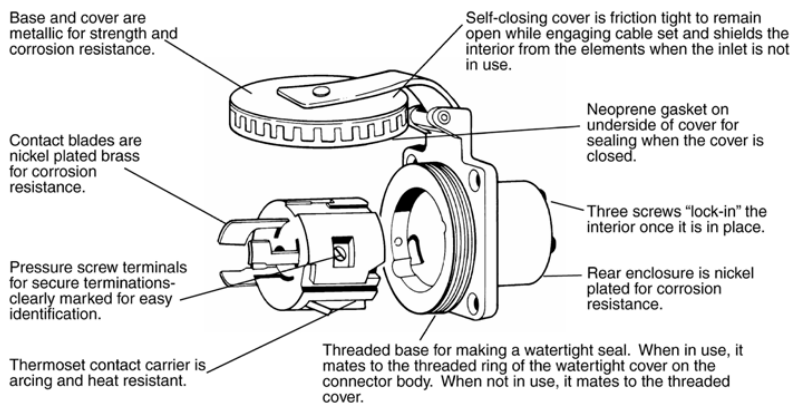
HBL77CM17

50A 125V Ship-to-Shore Devices

Description	Catalog Numbers
Stylized non-metallic shore power inlet has UV resistant white Centrex cover which makes unit weatherproof when completely closed. Interior has easy to wire terminals. Mounting holes are 2 3/8" (60.3) on centers and match existing mounting patterns. Mounting screws and gasket included.	HBL503NM
Stylized type 316 stainless steel shore power inlet has easy to use push-button latch that makes unit watertight when fully engaged. Interior has easy to wire terminals. Mounting holes are 2 3/8" (60.3) on centers and match existing mounting patterns. Mounting screws and gasket included.	HBL503RI
Traditional stainless steel shore power inlet has gasketed, self-closing cover so interior is shielded from the elements when not in use. Watertight when cover is securely fastened. Mounting holes are 2 3/8" (60.3) on centers, and rear portion has 2.171" (55.1) diameter. Mounting screws and gasket included.	HBL503SS
Protective rear cover. Fits all inlets except HBL503SS	SR3050*
Secures to back of inlets with 3 screws which are provided.	
Replacement interior for #HBL503SS and #63CM72 shore power inlets.	CR16277*
Nickel plated brass connector body has heat resistant thermoset interior and combination metal and rubber cord grip provides superior strain relief capability. Cord grip range is .437"-1.140" (11.1-29.0).	HBL63CM60
Yellow Seal-Tite® cover for connector bodies when used with 50A shore power inlets. Threaded sealing ring makes connections watertight. IP56 SUITABILITY.	HBL77CM15
White Seal-Tite® cover for connector bodies when used with 50A shore power inlets. Threaded sealing ring makes connections watertight. IP56 SUITABILITY.	HBL77CM15W*
Nickel plated brass cord clamp assembly with clamp range of .437"-1.140" (11.1-29.0) provides strain relief for terminations on shore power inlets.	HBL77CM67*
Yellow Seal-Tite® cover for weatherproofing 50A connector bodies on extension cords or adapters. IP55 SUITABILITY.	HBL77CM17

*Not shown.

50A Traditional Metallic Inlets



Marine Products
50 Ampere, 125 Volt
 2 Pole 3 Wire
Ship-to-Shore Devices



Plugs and receptacles only.

IP20

SUITABILITY Plugs and receptacles only.



50A 125V

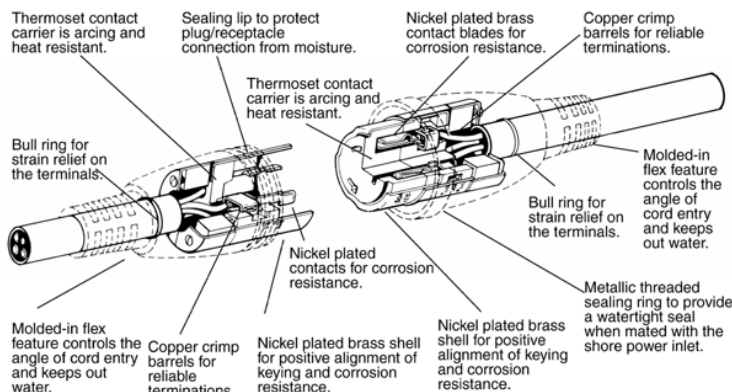
50A 125V Ship-to-Shore Devices

Description	Catalog Numbers
50' (15.2m) yellow vinyl jacketed shore power cable set. #6 AWG type STOW is completely factory pre-wired with molded-on devices. Connector end has threaded metallic sealing ring to make inlet/connector interface watertight. IP56 SUITABILITY (BOATSIDE).	HBL61CM53
Same as #HBL61CM53, except white. IP56 SUITABILITY (BOATSIDE).	HBL61CM53W
Same as #HBL61CM53, except 25' (7.6m) in length. IP56 SUITABILITY (BOATSIDE).	HBL61CM43
3 conductor, #6 AWG type STOW, yellow PVC jacketed portable cord with jute fillers for added flexibility. Ideal for making cable sets, extension cords, and adapters and will not mark boat's deck. 250' (75.2m) lengths only.	YC306250*
Nickel plated brass plug has heat resistant thermoset interior and combination metal and rubber cord grip, provides superior strain relief capability. Cord grip range is .437"-1.140" (11.1-29.0).	HBL63CM61
Yellow Seal-Tite® cover for weatherproofing 50A plugs. IP55 SUITABILITY.	HBL77CM16
White Seal-Tite® cover for weatherproofing 50A plugs. IP55 SUITABILITY.	HBL77CM16W*
Single receptacle has a heat resistant thermoset base.	HBL63CM70
Yellow Valox® lift cover plate for weatherproofing 50A receptacles. Meets requirements of the most stringent of UL's three listing categories for weatherproof plates. Stainless steel screws and a neoprene gasket included. For mounting to FS/FD type weatherproof boxes. IP44 SUITABILITY.	HBL77CM74WO
Same as #HBL77CM74WO except gray in color. IP44 SUITABILITY.	HBL7774WO
Stainless steel wallplate for 50A receptacle.	S750

*Not shown.



50A Molded Cable Sets



HBL63CM61



HBL77CM16



HBL63CM70



HBL77CM74WO
HBL7774WO



S750

Valox® is a registered trademark of General Electric Company.

Marine Products

50 Ampere, 125/250 Volt

3 Pole 4 Wire

Ship-to-Shore Devices



HBL504NM



HBL504RI



HBL504SS



HBL63CM64



HBL77CM15



HBL77CM17

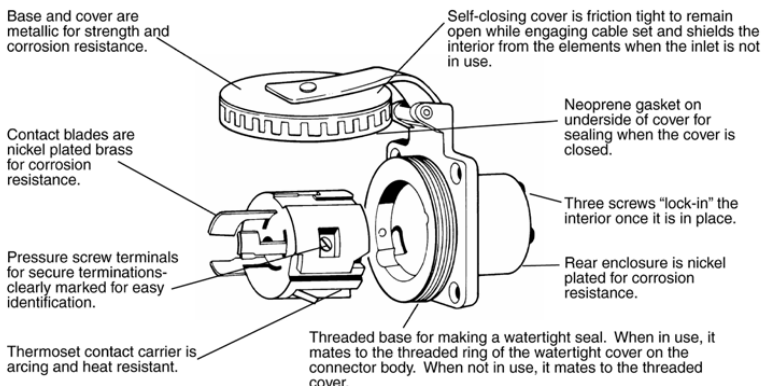


50A 125/250V Ship-to-Shore Devices

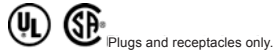
Description	Catalog Numbers
Stylized non-metallic shore power inlet has UV resistant white Centrex cover which makes unit weatherproof when completely closed. Interior is heat resistant thermoset material and has box lug terminals. Mounting holes are 2 3/8" (60.3) on centers and match existing mounting patterns. Mounting screws and gasket included.	HBL504NM
Stylized type 316 stainless steel shore power inlet has easy to use push-button latch that makes unit watertight when fully engaged. Interior is heat resistant thermoset material and has box lug terminals. Mounting holes are 2 3/8" (60.3) on centers and match existing mounting patterns. Mounting screws and gasket included.	HBL504RI
Traditional stainless steel shore power inlet has gasketed, self-closing cover so that the interior is shielded from the elements when not in use. It is watertight when the cover is securely fastened. The mounting holes are 2 3/8" (60.3) on centers, and the rear portion has a 2.171" (55.1) diameter. Mounting screws and gasket are included.	HBL504SS
Protective rear cover. Fits all inlets except HBL504SS. Secures to back of inlets with 3 screws which are provided.	SR3050*
Replacement interior for #63CM74 and #HBL504SS power inlets.	CR16279*
Nickel plated brass connector body has a heat resistant thermoset interior and combination metal and rubber cord grip, which provides superior strain relief capability. Cord grip range is .437"-1.140" (11.1-29.0).	HBL63CM64
Yellow Seal-Tite® cover for connector bodies when used with 50A shore power inlets. Threaded sealing ring makes connections watertight. IP56 SUITABILITY.	HBL77CM15
White Seal-Tite® cover for connector bodies when used with 50A shore power inlets. Threaded sealing ring makes connections watertight. IP56 SUITABILITY.	HBL77CM15W*
Nickel plated brass cord clamp assembly with clamp range of .437"-1.140" (11.1-29.0) provides strain relief for terminations on shore power inlets.	HBL77CM67*
Yellow Seal-Tite® cover for weatherproofing 50A connector bodies on extension cords or adapters. IP55 SUITABILITY.	HBL77CM17

*Not shown.

50A Traditional Metallic Inlets



Marine Products
50 Ampere, 125/250 Volt
 3 Pole 4 Wire
Ship-to-Shore Devices



IP20
 SUITABILITY Plugs only.



HBL63CM65



HBL77CM16



HBL63CM69



HBL77CM74WO
 HBL7774WO

50A 125/250V Ship-to-Shore Devices

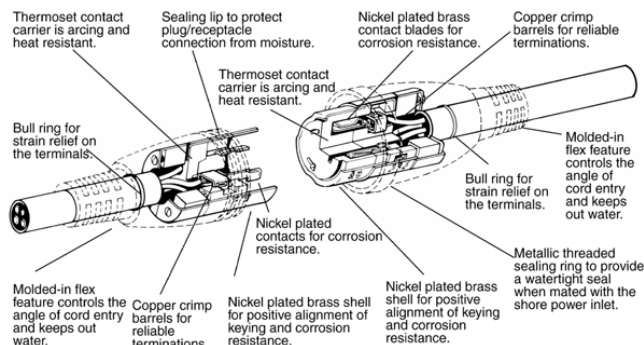
Description	Catalog Numbers
50' (15.2m) yellow vinyl jacketed shore power cable set, #6 AWG type STOW is completely factory pre-wired with molded-on devices. The connector end has a metallic threaded sealing ring for making the inlet/connector interface watertight. IP56 SUITABILITY (BOATSIDE).	HBL61CM52
Same as #HBL61CM52, except white. IP56 SUITABILITY (BOATSIDE).	HBL61CM52W
25' (15.2m) yellow vinyl jacketed shore power cable set, #6 AWG type STOW is completely factory pre-wired with molded-on devices. The connector end has a metallic threaded sealing ring for making the inlet/connector interface watertight. IP56 SUITABILITY (BOATSIDE).	HBL61CM42
Same as #HBL61CM42, except white. IP56 SUITABILITY (BOATSIDE).	HBL61CM42W
Four conductor, #6 AWG type STOW, yellow PVC jacketed portable cord with jute fillers for added flexibility is ideal for making cable sets, extension cords, and adapters as it will not mark the boats deck. Available in 250' (76.2m) lengths only.	YC406250*
Nickel plated brass plug has a heat resistant thermoset interior and combination metal and rubber cord grip, which provides superior strain relief capability. Cord grip range is .437"-1.140" (11.1-29.0).	HBL63CM65
Yellow Seal-Tite® cover for weatherproofing 50A plugs. IP55 SUITABILITY.	HBL77CM16
White Seal-Tite® cover for weatherproofing 50A plugs. IP55 SUITABILITY.	HBL77CM16W*
Single receptacle has a heat resistant thermoset base.	HBL63CM69
Yellow Valox® lift cover plate for weatherproofing 50A receptacles. Meets requirements of the most stringent of UL's three listing categories for weatherproof plates. Stainless steel screws and a neoprene gasket included. For mounting to FS/FD type weatherproof boxes. IP44 SUITABILITY.	HBL77CM74WO
Same as #HBL77CM74WO except gray in color. IP44 SUITABILITY.	HBL7774WO
Stainless steel wallplate for 50A receptacle.	S750

*Not shown.



HBL61CM52
 HBL61CM52W
 HBL61CM42
 HBL61CM42W

50A Molded Cable Sets



S750

Valox® is a registered trademark of General Electric Company.



Marine Products

100 Ampere, 125/250 Volt and 3ØY 120/208 Volt

3, 4, & 5 Wire

Ship-to-Shore Cable Sets



Hubbell Marine was the first to offer marine grade 100 amp pin & sleeve devices. Having recognized the need and growing demand for 100 amp shore power devices, Hubbell worked with the National Electric Code and American Boat and Yacht Council to standardize on these devices. Now Hubbell Wiring Device-Kellems is offering a complete system of 3, 4 & 5 wire 100 amp cable sets for your shore power requirements. Using Hubbell marine pin & sleeve devices considered second to none, the 100 amp cable set offering will allow you to access the power that you need from a cable set that is now manufactured under factory controlled conditions.

Features	Benefits
Factory assembled.	Reliable and consistent terminations.
100 Amp pin & sleeve devices.	Rugged, watertight UL listed, ABYC approved, corrosion resistant.
UL Listed 100 amp cable.	High visibility yellow, STOW cable, 105° C rated, and UL listed.
Breadth of line.	Available in 75, 100, and 125 ft. lengths with and without a neutral. Fifty foot extension cords also available.
100% inspection.	Each cable set will be tested to ensure quality performance.



Marine Products

100 Ampere, 125/250 Volt and 3ØY 120/208 Volt

3, 4, & 5 Wire

Ship-to-Shore Cable Sets**IP67**

SUITABILITY



CS75IT4

100A 125/250V Ship-to-Shore Cable Sets

Description	Catalog Numbers
75' (22.8m) yellow, corrosion resistant shore power cable set, 105° C rated, 2 gauge, 2 pole 3 wire (no neutral), STOW cable with 3 pole 4 wire, 100A 125/250V plug and connector body for use with boats with isolation transformer on board.	CS75IT4
Same as #CS75IT4 except 100' (30.4m) in length.	CS100IT4
75' (22.8m) yellow, corrosion resistant shore power cable set, 105° C rated, 2 gauge, 3 pole 4 wire STOW cable.	CS754
Same as #CS754 except 100' (30.4m) in length.	CS1004
50' (15.2m) yellow, corrosion resistant extension cord, 105° C rated, 2 gauge, 3 pole 4 wire STOW cable. For mating with existing shore power cable set.	CS50EXT4
75' (22.8m) yellow, corrosion resistant one-ended (male only) power supply cable, 105° C rated, 2 gauge, 3 pole, 4 wire STOW cable with 3 pole, 4 wire male plug only; for use with boats using a cable winch system.	CW754
100' (30.4m) yellow, corrosion resistant one-ended (male only) power supply cable, 105° C rated, 2 gauge, 2 pole 3 wire (no neutral) STOW cable with 3 pole 4 wire male plug only; for use with boats with isolation transformer on board and a cable winch system.	CW100IT4
Same as #CW100IT4 except 125' (38.0m) in length.	CW125IT4

**100A 120/208V Ship-to-Shore Cable Sets**

Description	Catalog Numbers
75' (22.8m) yellow, corrosion resistant shore power cable set, 105° C rated, 2 gauge, 3 pole 4 wire (no neutral), STOW cable with 4 pole 5 wire, 100A 120/208V plug and connector body for use with boats with isolation transformer on board.	CS75IT5
Same as #CS75IT5 except 100' (30.4m) in length.	CS100IT5
50' (15.2m) yellow, corrosion resistant extension cord, 105° C rated, 2 gauge, 4 pole 5 wire STOW cable. For mating with existing shore power cable set.	CS50EXT5
100' (30.4m) yellow, corrosion resistant one-ended (male only) power supply cable, 105° C rated, 2 gauge, 3 pole 4 wire (no neutral) STOW cable with 4 pole 5 wire male plug only; for use with boats with isolation transformer on board and a cable winch system.	CW100IT5
Same as #CW100IT5 except 125' (38.0m) in length.	CW125IT5

Note: Periodic cleaning and lubrication (such as LPS-1 made by Holt Lloyd Corp.) of the pins and sleeves of these devices is necessary to enjoy years of optimal use.

Marine Products

100 Ampere, 125/250 Volt

3 Pole 4 Wire

Ship-to-Shore Devices



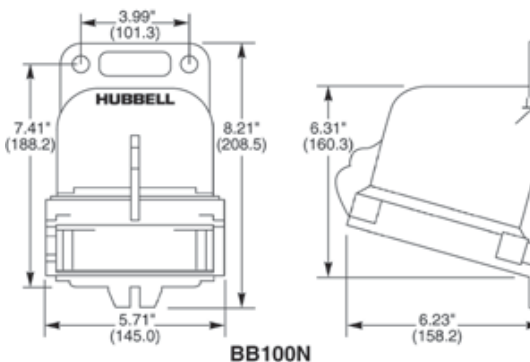
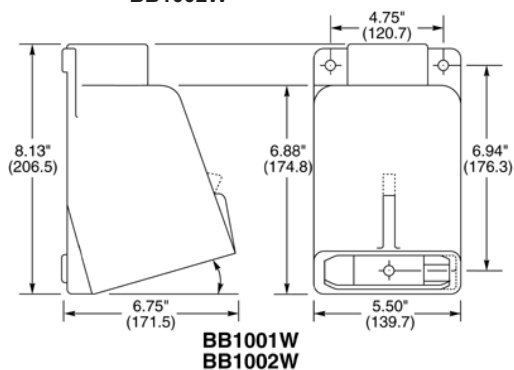
M4100B12R



M4100C12R



BB1001W
BB1002W



IP67
SUITABILITY



100A 125/250V Ship-to-Shore Devices

Description	Catalog Numbers
Gray nylon shore power inlet has gasketed, spring-loaded cover which closes automatically when not in use and is watertight when securely fastened. Mounting holes are 2 7/8" (104.8) on centers and rear portion has 3 5/16" (100.0) diameter. Mounting screws and gasket included.	M4100B12R
Yellow Supertough® nylon watertight connector body has gasketed locking ring to make inlet/connector interface watertight. Cord grip range is 1.000"-1.940" (25.4-49.3). <i>Note: This device mates with shore power inlet only.</i>	M4100C12R
15° angle cast aluminum back box has corrosion resistant gray finish and top hub with 1 1/2" N.P.T. 100A receptacles can be mounted directly to it.	BB1001W
Same as #BB1001W except threaded top hub is 2 inches.	BB1002W
15° angle non-metallic back box, made of high-grade engineered thermoplastic Valox® to resist chemicals, abuse and U.V. rays. Has integral grounding plate, 1 1/2" hub size and 120 cu. in. capacity (hub is not included - Raco part number 1706 is recommended). <i>Supertough® nylon is a registered trademark of E. I. DuPont. Valox® is a registered trademark of General Electric Company.</i>	BB100N

Note: Periodic cleaning and lubrication (such as LPS-1 made by Holt Lloyd Corp.) of the pins and sleeves of these devices is necessary to enjoy years of optimal use.



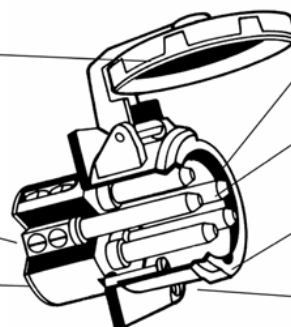
BB100N

Shore Power Inlet

The gasketed, self-closing cover is keyed to normally seat in a position that provides a weatherproof seal. Simply rotating the cover and locking it makes it watertight.

The terminals are clearly identified with large markings for easy recognition.

High impact thermoset contact carrier is arcing and heat resistant.



The device is marked with its catalog number and rating for easy identification.

Nickel plated solid brass pins provide for long life and reliable electrical contact in corrosive environments.

Special keying makes proper alignment of mating devices quick and easy.

Nylon housing provides increased safety and abuse resistance.



Marine Products

100 Ampere, 125/250 Volt

3 Pole 4 Wire

Ship-to-Shore Devices



IP67
SUITABILITY



100A 125/250V Ship-to-Shore Devices

Description	Catalog Numbers
Yellow Supertough® nylon watertight plug has gasketed locking ring to make plug/receptacle interface watertight. Cord grip range is 1.000"-1.940" (25.4-49.3).	M4100P12
Gray nylon dockside receptacle has gasketed, spring-loaded cover. Closes automatically when not in use and is watertight when securely fastened. Mounting holes are 4 7/8" (123.8) on centers. Mounting screws and gasket included.	M4100R12
Yellow Supertough® nylon watertight connector body for mating plug to connector interface on extension cords or adapters. Cord grip range is 1.000"-1.940" (25.4-49.3). <i>Note: It cannot be mated to the shore power inlet.</i>	M4100C12
Back box for inlets and receptacles has 15° angle section which can be installed in any of 4 positions. Box is cast aluminum with corrosion resistant gray alkyd-based enamel finish and 1 1/2" NPT hub which can be mounted for either top or bottom feed.	FW60100

Supertough® nylon is a registered trademark of E. I. DuPont.

Note: Periodic cleaning and lubrication (such as LPS-1 made by Holt Lloyd Corp.) of the pins and sleeves of these devices is necessary to enjoy years of optimal use.



M4100P12



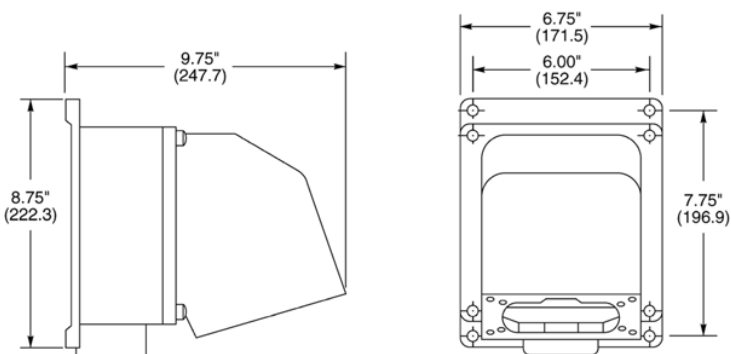
M4100R12



M4100C12

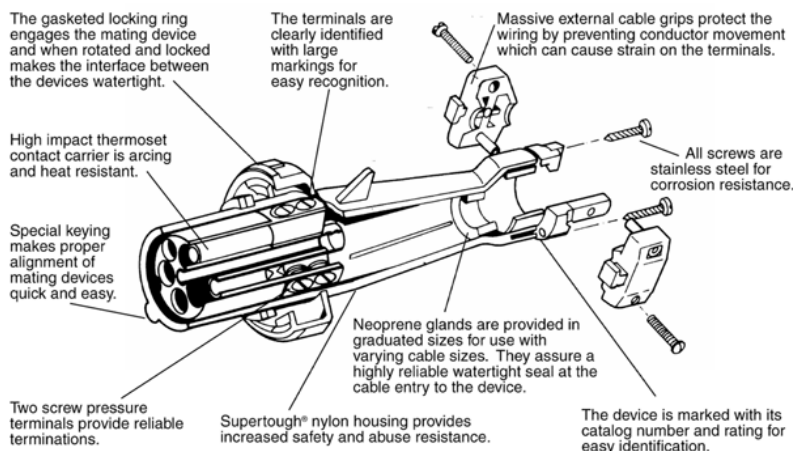


FW60100



FW60100

100A Connector Body



Marine Products

100 Ampere, 3ØY 120/208 Volt

4 Pole 5 Wire

Ship-to-Shore Devices



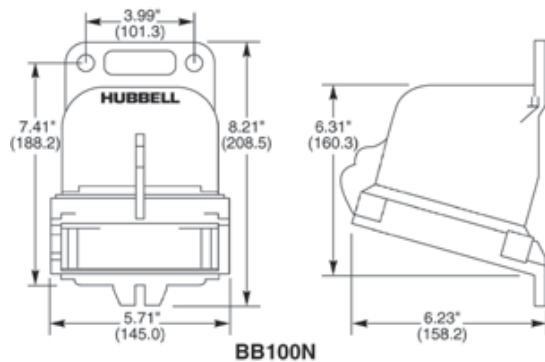
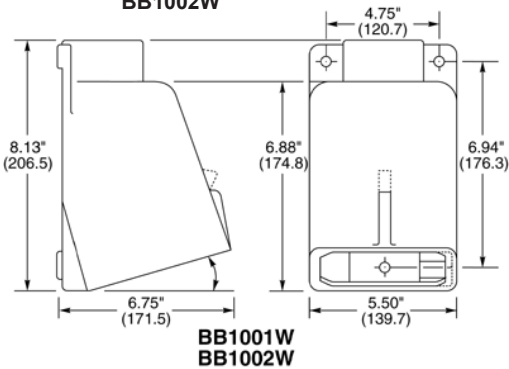
M5100B9R



M5100C9R



BB1001W
BB1002W



100A 3ØY 120/208V Ship-to-Shore Devices

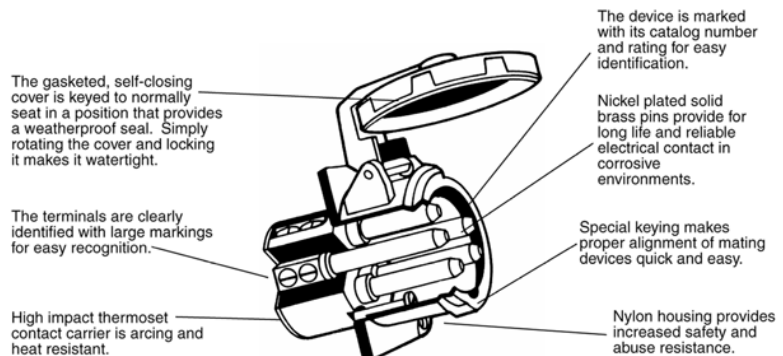
Description	Catalog Numbers
Gray nylon shore power inlet has gasketed, spring loaded cover which closes automatically when not in use and is watertight when securely fastened. Mounting holes are 4 7/8" (123.8) on centers and rear portion has 3 15/16" (100.0) diameter. Mounting screws and gasket included.	M5100B9R
Yellow Supertough® nylon watertight connector body has gasketed locking ring to make inlet/connector interface watertight. Cord grip range is 1.000"-1.940" (25.4-49.3). <i>Note: This device mates with shore power inlet only.</i>	M5100C9R
15° angle cast aluminum back box has corrosion resistant gray finish and top hub with 1 1/2" N.P.T. 100A receptacles can be mounted directly to it.	BB1001W
Same as #BB1001W except threaded top hub is 2 inches.	BB1002W
15° angle non-metallic back box, made of high-grade engineered thermoplastic Valox® to resist chemicals, abuse and U.V. rays. Has integral grounding plate, 1 1/2" hub size and 120 cu. in. capacity (hub is not included - Raco part number 1706 is recommended). <i>Supertough® is a registered trademark of E. I. DuPont. Valox® is a registered trademark of General Electric Company.</i>	BB100N

Note: Periodic cleaning and lubrication (such as LPS-1 made by Holt Lloyd Corp.) of the pins and sleeves of these devices is necessary to enjoy years of optimal use.



BB100N

Shore Power Inlet



Marine Products

100 Ampere, 3ØY 120/208 Volt

4 Pole 5 Wire

Ship-to-Shore Devices



IP67
SUITABILITY



100A 3ØY
120/208V

100A 3ØY 120/208V Ship-to-Shore Devices

Description	Catalog Numbers
Yellow Supertough® nylon watertight plug has gasketed locking ring to make plug/receptacle interface watertight. Cord grip range is 1.000"-1.940" (25.4-49.3).	M5100P9
Gray nylon dockside receptacle has gasketed, spring-loaded cover. Closes automatically when not in use and is watertight when securely fastened. Mounting holes are 47/8" (123.8) on centers. Mounting screws and gasket included.	M5100R9
Yellow Supertough® nylon watertight connector body for making plug to connector interface on extension cords or adapters. Cord grip range is 1.000"-1.940" (25.4-49.3). <i>Note: It cannot be mated to the shore power inlet.</i>	M5100C9
Back box for inlets and receptacles has 15° angle section which can be installed in any of 4 positions. Box is cast aluminum with corrosion resistant gray alkyd-based enamel finish and 1½" NPT hub which can be mounted for either top or bottom feed.	FW60100

Supertough® is a registered trademark of E. I. DuPont.

Valox® is a registered trademark of General Electric Company.

Note: Periodic cleaning and lubrication (such as LPS-1 made by Holt Lloyd Corp.) of the pins and sleeves of these devices is necessary to enjoy years of optimal use.



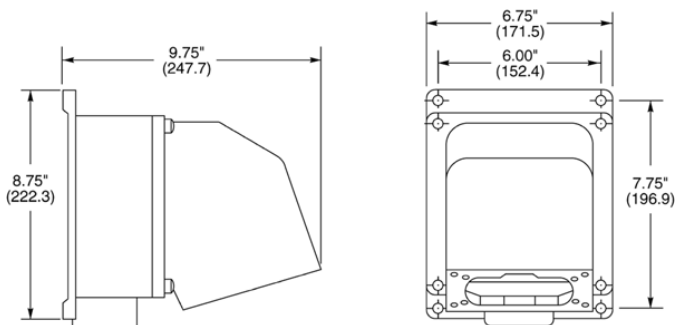
M5100P9



M5100R9



M5100C9

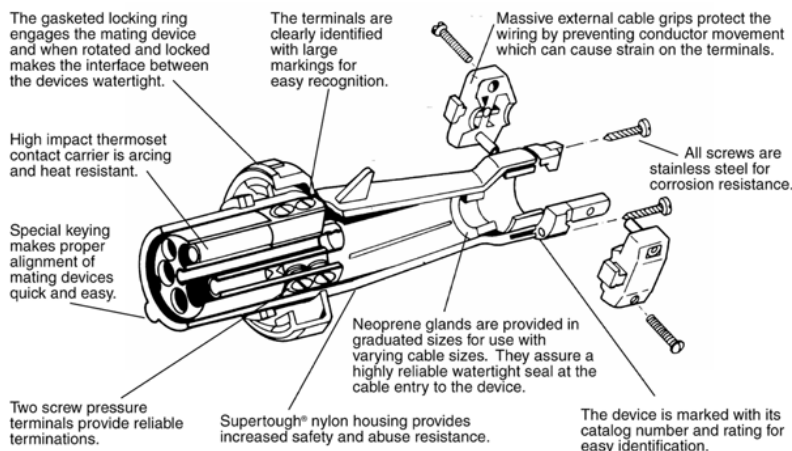


FW60100



FW60100

100A Connector Body



Marine Products

20 Ampere, 125 Volt

2 Pole 3 Wire

TWIST-LOCK® Locking Type Devices



HBL23CM10



HBL7425WOA
HBL74CM25WOA



HBL23CM11



HBL60CM31



HBL23CM13



HBL60CM32



Plugs, receptacles and connectors only.

IP20

SUITABILITY Plugs and connectors only.



15A 125V

20A 125V Twist-Lock Devices

Description	Catalog Numbers
Yellow single receptacle has Rynite® body and abuse resistant nylon face.	HBL23CM10
Yellow polycarbonate spring-loaded lift cover plate for weatherproofing #HBL23CM10 receptacle. Meets the most stringent requirements of UL's three listing categories for weatherproof plates. Stainless steel screws and neoprene gasket included for mounting to FS/FD type weatherproof boxes. IP44 SUITABILITY.	HBL74CM25WOA
Same as #HBL74CM25WOA except gray in color. IP44 SUITABILITY.	HBL7425WOA
Yellow Insulgrip® plug has rugged nylon housing and cord grip with range of .325"-.930" (8-24) that utilizes a unique offset jaws arrangement to provide secure strain relief.	HBL23CM11
Yellow Seal-Tite® cover for weatherproofing #HBL26CM11 or #HBL23CM11 plugs. IP55 SUITABILITY. <i>Note: Fits Insulgrip® devices only.</i>	HBL60CM31
Yellow Insulgrip® connector body has rugged nylon housing and cord grip with range of .325"-.930" (8-24) that utilizes a unique offset jaws arrangement to provide secure strain relief.	HBL23CM13
Yellow Seal-Tite® cover for weatherproofing #HBL26CM13 or #HBL23CM13 connector bodies when used on extension cords or adapters. IP55 SUITABILITY. <i>Note: Fits Insulgrip® devices only.</i>	HBL60CM32
Yellow Valise® plug has one-piece nylon housing, assembles easily with two screws. Built-in cord grip has range of .460"-.720" (11.7-18.2).	HBL23CM11V
Yellow vinyl Seal-Tite® cover for weatherproofing #HBL23CM11V or #HBL26CM11V plugs. IP55 SUITABILITY. <i>Note: Fits Valise® devices only.</i>	HBL60CM31V
Three conductor, #12 AWG type STW, yellow PVC jacketed portable cord with jute fillers for added flexibility. Ideal for making cable sets, extension cords and adapters as will not mark boat's deck. Available in 250' (76.2m) lengths only.	YC312250*

*Not shown.

Rynite® is a registered trademark of E. I. DuPont.



HBL23CM11V

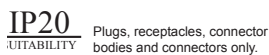
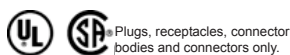


HBL60CM31V



Wiring Device-Kellems

Marine Products
20 Ampere, 125 Volt
 2 Pole 3 Wire
Straight Blade Devices



20A 125V Straight Blade Devices

Description	Catalog Numbers
Yellow Insulgrip® plug has rugged nylon housing and detachable cord grip with range of .230" to .720" (5.8-18.3) that utilizes unique offset jaws arrangement to provide secure strain relief.	HBL53CM66C
Yellow Insulgrip® connector body has rugged nylon housing and cord grip with range of .230"-.720" (5.8-18.3) that utilizes unique offset jaws arrangement for secure strain relief.	HBL53CM69C
Yellow Seal-Tite® cover for weatherproofing straight blade Insulgrip connector bodies, #HBL52CM69C and #HBL53CM69C, on extension cords and adapters. IP55 SUITABILITY. Not CSA. <i>Note: For Insulgrip® devices only.</i>	HBL60CM18
Yellow closure plug used with #HBL60CM18 long Seal-Tite cover to prevent water from entering front of device when not in use.	HBL60CM19
Yellow Seal-Tite® cover for weatherproofing straight blade Insulgrip plugs, #HBL52CM66C and #HBL53CM66C, when used to mate receptacles and connector bodies. Can also be used with Insulgrip connector bodies when mating with flanged inlets. IP55 SUITABILITY. Not CSA. <i>Note: For Insulgrip® devices only.</i>	HBL60CM17
Yellow duplex receptacle has Rynite® body. Receptacle accepts both 20A 125V and 15A 125V 2 pole, 3 wire straight blade plugs.	HBL53CM62
Single version of #HBL53CM62 duplex yellow receptacle .	HBL53CM61
Compact gray nylon panel mount outlet ideal for electric trolling motors and reel applications. Features gasketed spring-loaded lift cover for weatherproofing front and neoprene boot for weatherproofing rear. Accepts both 20A 125V and 15A 125V 2 pole, 3 wire straight blade plugs.	HBL61CM65
Same as #HBL52CM21 except for mounting to standard boxes. IP20 SUITABILITY. Not CSA.	HBL52CM22*
Same as #HBL52CM22 except gray in color. IP20 SUITABILITY. Not CSA.	HBL5222*
Yellow polycarbonate spring-loaded lift cover plate for weatherproofing duplex receptacles. Stainless steel screws and neoprene gasket included for mounting to FS/FD type weatherproof boxes. IP20 SUITABILITY. Not CSA.	HBL52CM21
Same as #HBL52CM21 except gray in color. IP20 SUITABILITY. Not CSA.	HBL5221*
Yellow polycarbonate spring-loaded lift cover plate for weatherproofing single straight blade receptacles. Stainless steel screws and neoprene gasket included. For mounting to FS/FD type weatherproof boxes. IP44 SUITABILITY. Not CSA.	HBL74CM23WO
Same as #HBL74CM23WO except gray in color. IP44 SUITABILITY. Not CSA.	HBL7423WO

*Not shown.

Rynite® is a registered trademark of E. I. DuPont.



HBL53CM66C



HBL53CM69C



HBL60CM18
HBL60CM19



HBL60CM17



HBL53CM62



HBL53CM61



HBL52CM21
HBL5221



HBL74CM23WO
HBL7423WO



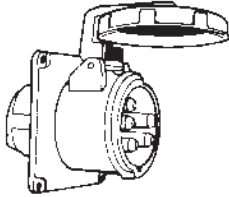
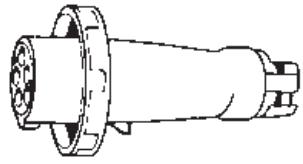
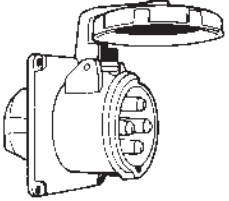
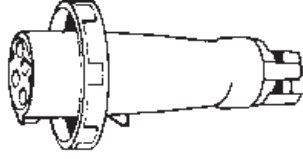
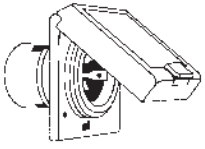
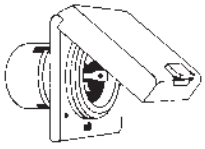
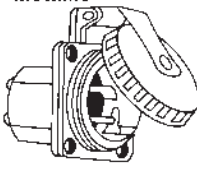

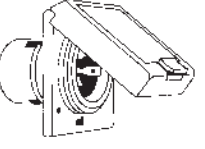
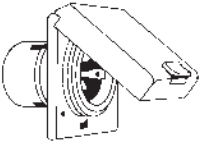
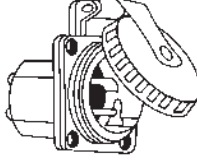

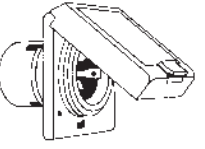
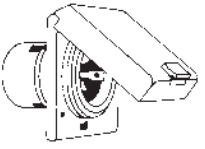
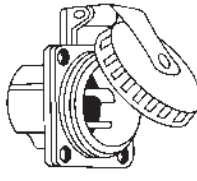
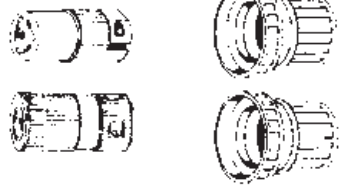
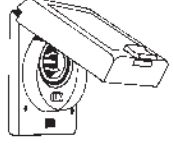
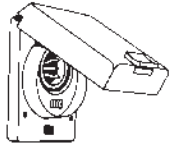
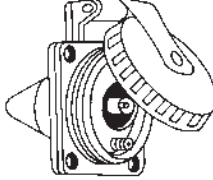

HBL61CM65

Marine Products

Boatside

Ship-to-Shore Selection Chart

Boatside

<p>100A 3ØY 120/208V 4 Pole 5 Wire Page 17, 20, 21</p>	 <p>M5100B9R</p>			 <p>M5100C9R</p>	
<p>100A 125/250V 3 Pole 4 Wire Page 17, 18, 19</p>	 <p>M4100B12R</p>			 <p>M4100C12R</p>	
<p>50A 125/250V 3 Pole 4 Wire Page 14, 15</p>	<p>Non-metallic</p>  <p>HBL504NM</p>	<p>Stainless Steel Rectangular</p>  <p>HBL504RI</p>	<p>Traditional Metallic</p>  <p>HBL504SS</p>	 <p>HBL63CM64 HBL77CM15</p>	
<p>50A 125V 2 Pole 3 Wire Page 12, 13</p>	 <p>HBL503NM</p>	 <p>HBL503RI</p>	 <p>HBL503SS</p>	 <p>HBL63CM60 HBL77CM15</p>	
<p>30A 125V 2 Pole 3 Wire Page 6, 7, 8, 9</p>	 <p>HBL303NM</p>	 <p>HBL303SSBL</p>	 <p>HBL303SS</p>	 <p>HBL26CM13 HBL60CM33 HBL26CM13V HBL60CM33V</p>	
<p>Portable Telephone Cable TV Page 10,11</p>	 <p>HBLPHTVNM</p>	 <p>HBLPHTVRI</p>	 <p>HBLPHTVSS</p>	 <p>PH6624 PH7440</p>	

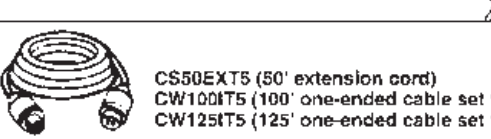
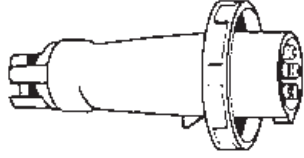
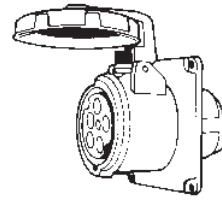
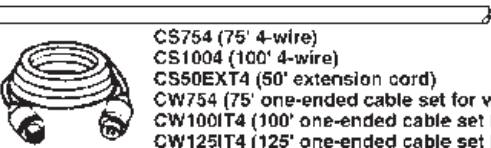
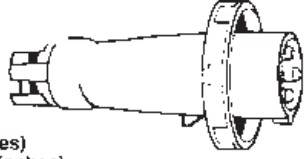
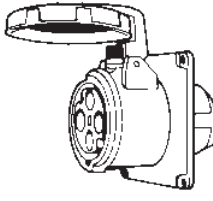
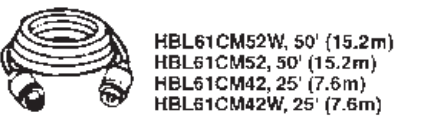

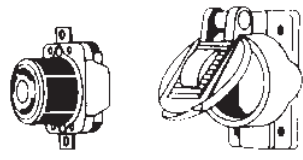
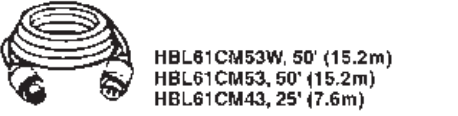

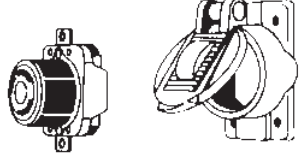
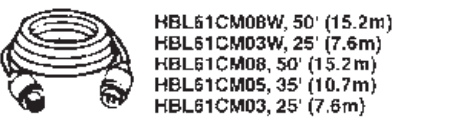
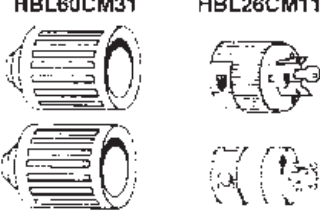
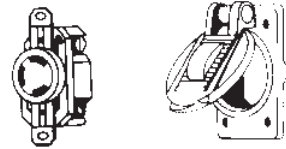



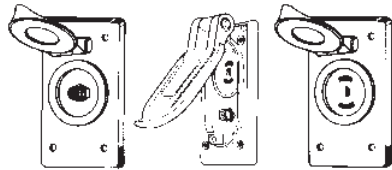
Marine Products

Dockside

Ship-to-Shore Selection Chart

Ship-to-Shore Selector Chart

Dockside

<p>CS75IT5 (75' 4-wire) CS100IT5 (100' 4-wire)</p> 	 <p>M5100P9</p>	 <p>M5100R9</p>
<p>CS754 (75' 3-wire) CS100IT4 (100' 3-wire)</p> 	 <p>M4100P12</p>	 <p>M4100R12</p>
<p>YC406250 (250' Cable Only)</p> 	 <p>HBL77CM16 HBL63CM65</p>	 <p>HBL63CM69 HBL77CM74WO</p>
<p>YC306250 (250' Cable Only)</p> 	 <p>HBL77CM16 HBL63CM61</p>	 <p>HBL63CM70 HBL77CM74WO</p>
<p>WC310280 (280' Cable Only) YC310250 (250' Cable Only)</p> 	 <p>HBL60CM31 HBL26CM11 HBL60CM31V HBL26CM11V</p>	 <p>HBL26CM10 HBL74CM25WOA</p>
<p>PH6630 (250' Cable Only)</p>  <p>PH6599W, 50' (15.2m) PH6598W, 25' (7.6m) PH6599, 50' (15.2m) PH6598, 25' (7.6m)</p> <p>75 Ohm TV Cable</p>  <p>TV99, 50' (15.2m) TV98, 25' (7.6m) TV99W, 50' (15.2m) TV98W, 25' (7.6m)</p>	 <p>PH7440 PH6625</p>	<p>TV Only Phone/TV Phone Only</p>  <p>TV97 PH6597TV PH6597</p>