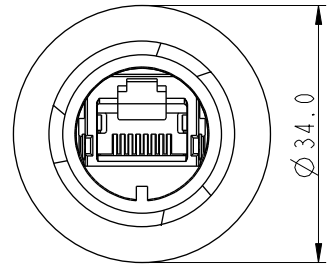
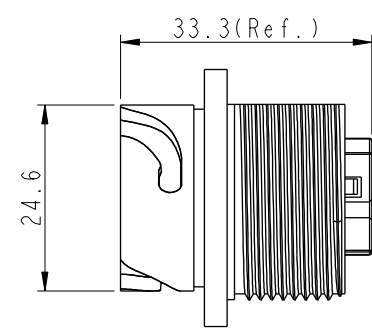
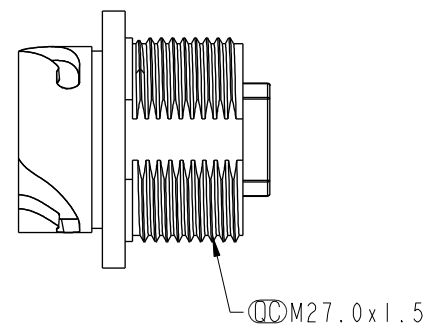
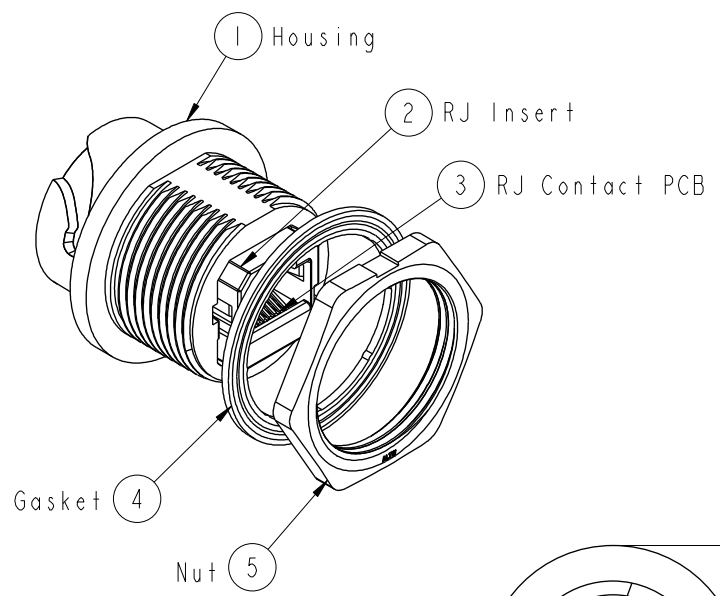
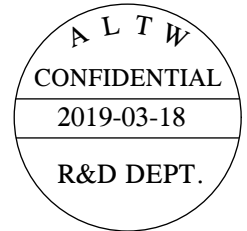
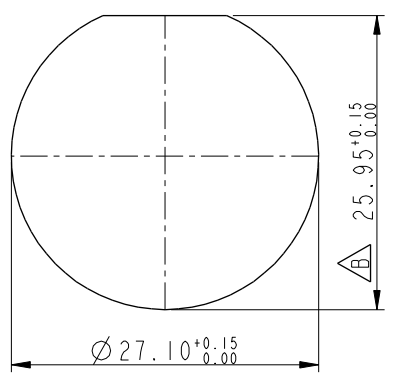


THIS DOCUMENT IS SUBJECT TO CHANGE WITHOUT NOTICE. IT IS CONFIDENTIAL AND A PROPERTY OF Amphenol LTW. DISCLOSURE TO THIRD PARTY HAS TO BE AUTHORIZED BY Amphenol LTW.

REV.	ECN NO.	DATE	SIGN	DESCRIPTION
B	LEN1370005	2013/07/06	Cary	Change Note & Panel Cut-out
C	LEN1610288	2016/01/13	Ruru	Change Note
D	CI90405	2019/03/18	Ruru	Modify Note



Recommended Panel Cut-out



- Note:  $\triangle$
- \*  $\varnothing$  Important Dimension
  - \* Waterproof Rate: IP67, Mated
  - \* Housing: Thermoplastic, Black
  - \* RJ45 Jack: Cat 5e, Shield
  - $\triangle C$  \* Gasket: Rubber, Black
  - \* Nut: Thermoplastic, Black
  - \* Contact: Copper Alloy, Gold Plated
  - $\triangle B$  \* Screw torsion value range: 8~15kgf-cm
  - $\triangle B$  \* Temperature Range: -40°C to 105°C
  - $\triangle B$  \* All Parts Should Meet RoHS Compliant
  - \* Gasket and Nut are packed separately in PE bags

UNIT: mm		
TOLERANCE	.X $\pm 0.25$	
	.XX $\pm 0.1$	
	.XXX $\pm 0.05$	
ANGLES	$\pm 1^\circ$	

TITLE RJ45 ODVA, PANEL, FRONT LOCK			
SCALE 1:1	SIZE A4	SHEET 1 OF 1	
REV. D	WC-REV. B.5	$\varnothing$ : Inspection item	

**Amphenol LTW**  
安費諾亮泰企業股份有限公司

ITEM NO. ROP-5SRFFH-TCM7001	DRAWN BY Ruru	DATE 2019-03-18
DWG NO. ROP-5SRFFH-TCM7001	CHECKED BY Rita	DATE 2019-03-18
CUSTOMER ALTW	APPROVED BY Max	DATE 2019-03-18