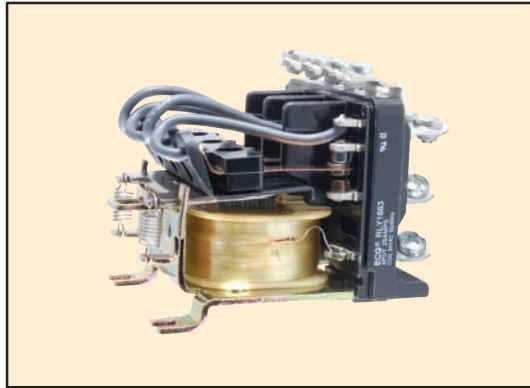
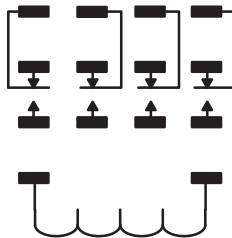


Features

- Single or Polyphase Service
- Buzz-Free, Shaded AC Coil
- High Dielectric Strength
- Arc-Over Barrier Between Each Contact



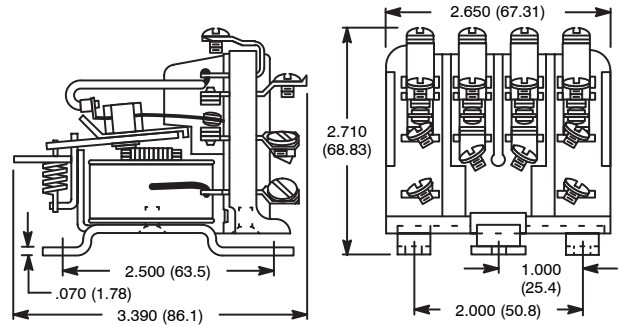
4PDT, 4 Form "C"



RLY16/17 Series

Heavy Duty, Open Frame, 25 Amp, 4PDT, AC & DC Power Relays.

D76



Electrical Specifications

Contact

Rating: 25 Amp @ 277 VAC max, 10 Amp @ 28 VDC
1 HP @ 120/240 VAC, Single Phase

Material: Silver-cadmium oxide

Resistance: 100mΩ Max

Coil

Coil Voltages: See Chart

Duty Cycle: Continuous

Resistance: See Chart

Operational Characteristics

Must Operate Voltage

AC Coil: 85% of nominal voltage @ +25°C

DC Coil: 75% of nominal voltage @ +25°C

Timing Value: . . . **Operate Time:** 25 mS max

Release Time: 25 mS max

Insulation Characteristics

Dielectric Strength

Between All Elements and GND: 2000Vrms Min.

Insulation Resistance: 1000MΩ Min.

Environmental Characteristics

Operating

AC: -55°C to +45°C @ nominal coil power

DC: -55°C to +55°C @ nominal coil power

Life

Mechanical: 10,000,000 operations (under rated load)

Electrical: 100,000 operations (under rated load)

Mounting

Std: One front key-hole and two rear channel slots for #8-32 screws

Weight

Std: 14 oz (397 grams) approx.

| AC OPERATED | | | | | | |
|--------------|------------|--------------|----------------------|--------------------|----------------------------|----------|
| NTE Type No. | Nom. Volt. | Contact Arr. | Coil Res. Ohms (Typ) | Approx. Nom. Power | Max. Contact Cur. @ 277VAC | Diag No. |
| RLY1663 | 24VAC | 4PDT | 5 | 14 VA | 25A | D76 |
| RLY1665 | 120VAC | 4PDT | 120 | 14 VA | 25A | D76 |
| RLY1666 | 240VAC | 4PDT | 600 | 14 VA | 25A | D76 |
| DC OPERATED | | | | | | |
| RLY1762 | 12VDC | 4PDT | 30 | 4.4W | 25A | D76 |
| RLY1763 | 24VDC | 4PDT | 130 | 4.4W | 25A | D76 |

| ACCESSORIES | | | |
|-------------|-------------|--------------|--------------|
| STYLES | DESCRIPTION | CONTACT ARR. | NTE TYPE NO. |
| DUST COVER | PLASTIC | 4PDT | RLY9166 |