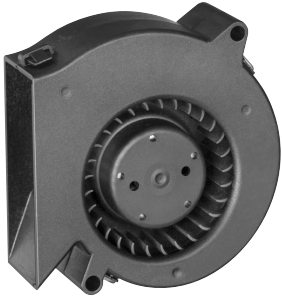


# DC centrifugal compact fan

single-intake

**ebm-papst St. Georgen GmbH & Co. KG**

Hermann-Papst-Str. 1  
D-78112 St. Georgen  
Phone +49 (0) 7724 81-0  
Fax +49 (0) 7724 81-1309  
info2@de.ebmpapst.com  
www.ebmpapst.com

## Nominal data

| Type                     | RL 48-19/14 ML    |          |
|--------------------------|-------------------|----------|
| Nominal voltage          | VDC               | 24       |
| Nominal voltage range    | VDC               | 18 .. 28 |
| Speed (rpm)              | min <sup>-1</sup> | 3500     |
| Power consumption        | W                 | 2.9      |
| Min. ambient temperature | °C                | -20      |
| Max. ambient temperature | °C                | 70       |
| Air flow                 | m <sup>3</sup> /h | 22       |
| Sound power level        | B                 | 5.3      |

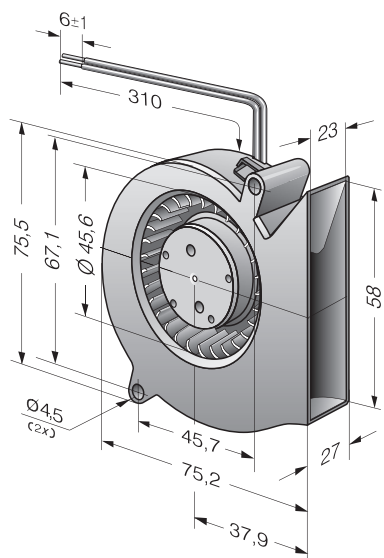
ml = Max. load · me = Max. efficiency · fa = Free air · cs = Customer specification · ce = Customer equipment  
Subject to change



## Technical description

|  |  |
|--|--|
| <b>General description</b>                     | Forward-curved impeller                                |
| <b>Weight</b>                                  | 0.075 kg   |
| <b>Dimensions</b>                              | 76 x 76 x 27 mm  |
| <b>Impeller material</b>                       | Glass-fiber reinforced plastic                         |
| <b>Housing material</b>                        | Scroll housing made of glass-fiber reinforced plastic. |
| <b>Airflow direction</b>                       | Axial intake, radial discharge from outlet.            |
| <b>Bearing</b>                                 | Ball bearing   |
| <b>Service life L10 at 40 °C</b>               | 70000 h  |
| <b>Service life L10 at maximum temperature</b> | 35000 h  |
| <b>Cable</b>                                   | With leads AWG 26, TR 64                               |
| <b>Motor protection</b>                        | Protection against reverse polarity and blocked rotor. |
| <b>Locked-rotor protection</b>                 | Electronic locked-rotor protection                     |
| <b>Approval</b>                                | VDE, CSA, UL, CE                                       |

## Product drawing



## Curves

