

45mm Size LED Illuminated Potentiometer Type Hollow Shaft Device RK45B/RK45C Series

Detail

Part number	RK45B1A00002		
Total resistance	5k?		
Resistance taper	B		
Positions	17		
Total rotational angle	180±5 (270 deg. Max.)		
Detent torque	40±16mN·m		
LED	Red		
Minimum order unit (pcs.)	200		
Operating temperature range	-40? to +85?		
Contact resistance	±20%		
Electrical performance	Insulation resistance	10M? min. 50V DC	
	Voltage proof	50V AC for 1 minute	
Mechanical performance	Robustness of terminal	3N for 10s	
	Actuator strength	Terminal strength	100N
		Pulling direction	50N
	Vibration	10 to 55 to 10Hz/min., the amplitude is 1.5mm for all the frequencies, in the 3 direction of X, Y and Z for 2 hours respectively	
	Resistance to soldering heat	Manual soldering	350? max. 3s max.
Dip soldering		260? max., 5s max.	
Durability	Operating life	30,000 cycles	
Environmental performance	Cold	-40±3? for 240h	
	Dry heat	85±3? for 240h	
	Damp heat	40±2? , 90 to 95%RH for 240h	

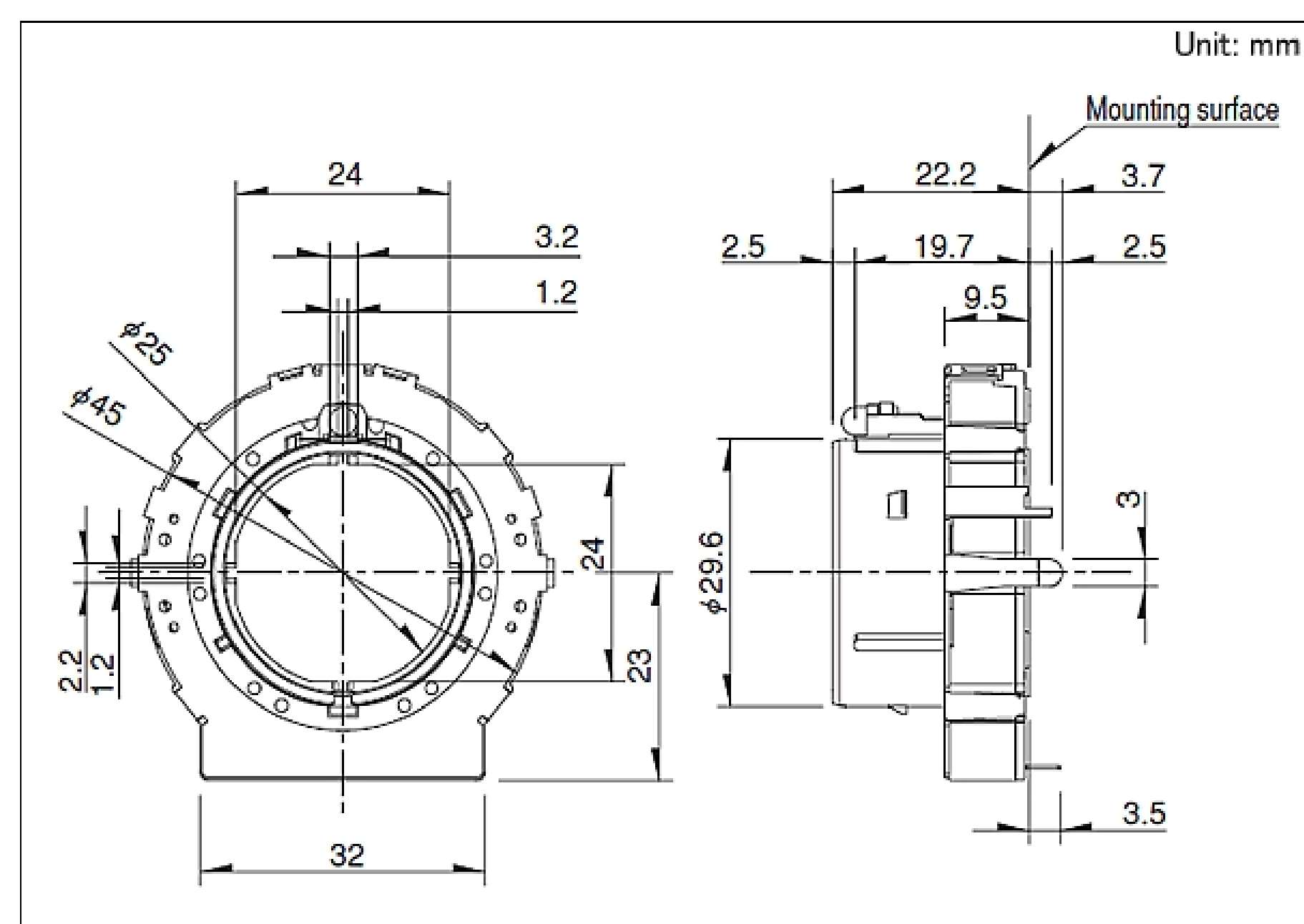
TOP

Photo



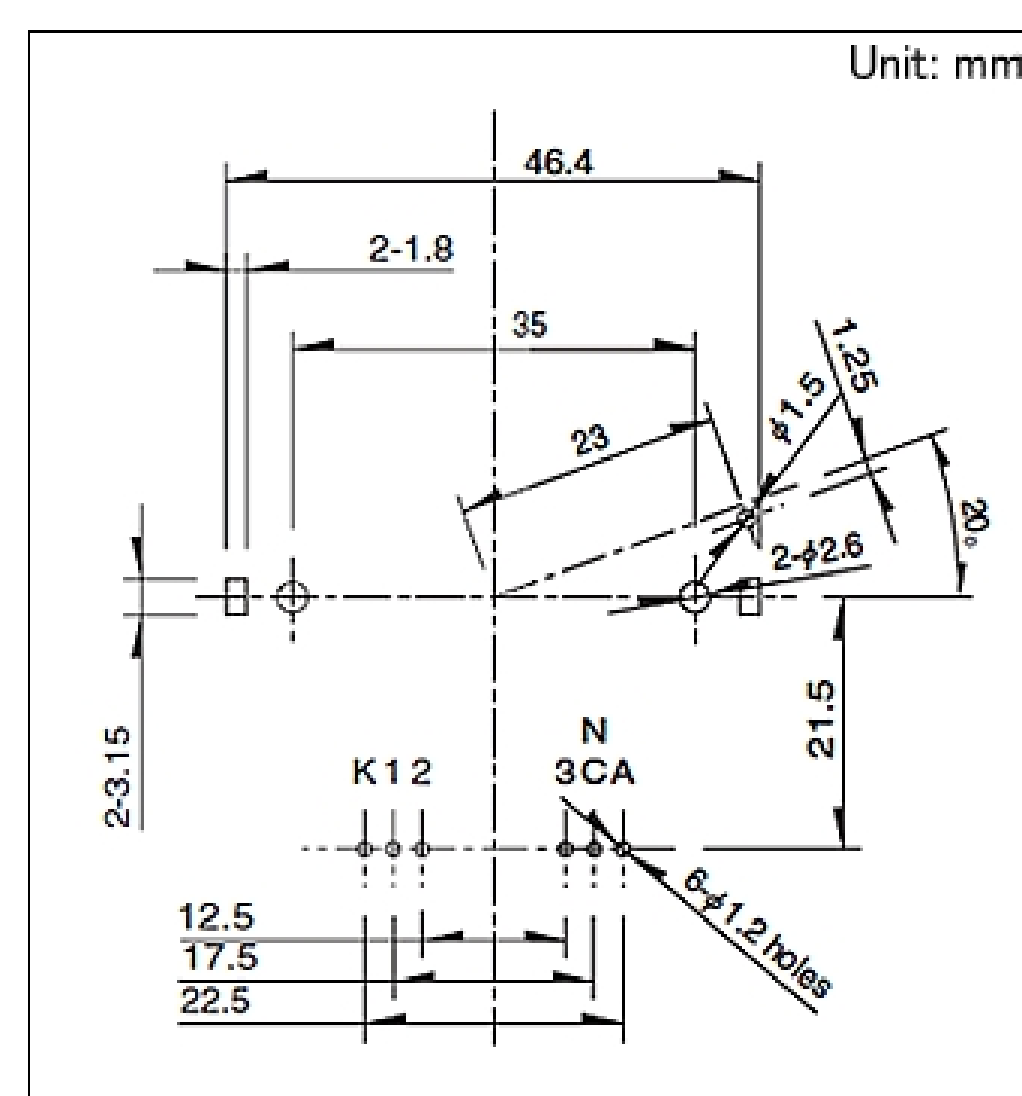
TOP

Dimensions



TOP

Mounting Hole Dimensions



Viewed from mounting face.

TOP

NOTE Notes are common to this series/models.

1. This site catalog shows only outline specifications. When using the products, please obtain formal specifications for supply.
2. Please place purchase orders per minimum order unit (integer).
3. Products other than those listed in the above chart are also available. Please contact us for details.
4. We can also provide LED colors other than the above mentioned. Contact us if you have such requirements.
5. This products can be used in vehicles.
Although these products are designed to perform over a wide operating temperature range, please ensure that you receive and read the formal delivery specifications before use.

Inquiries about Products

For more information please contact: Products Information Center.
1-7, Yukigaya-otsukamachi, Ota -ku, Tokyo, 145-8501, Japan
Phone: +81 (3) 5499-8154