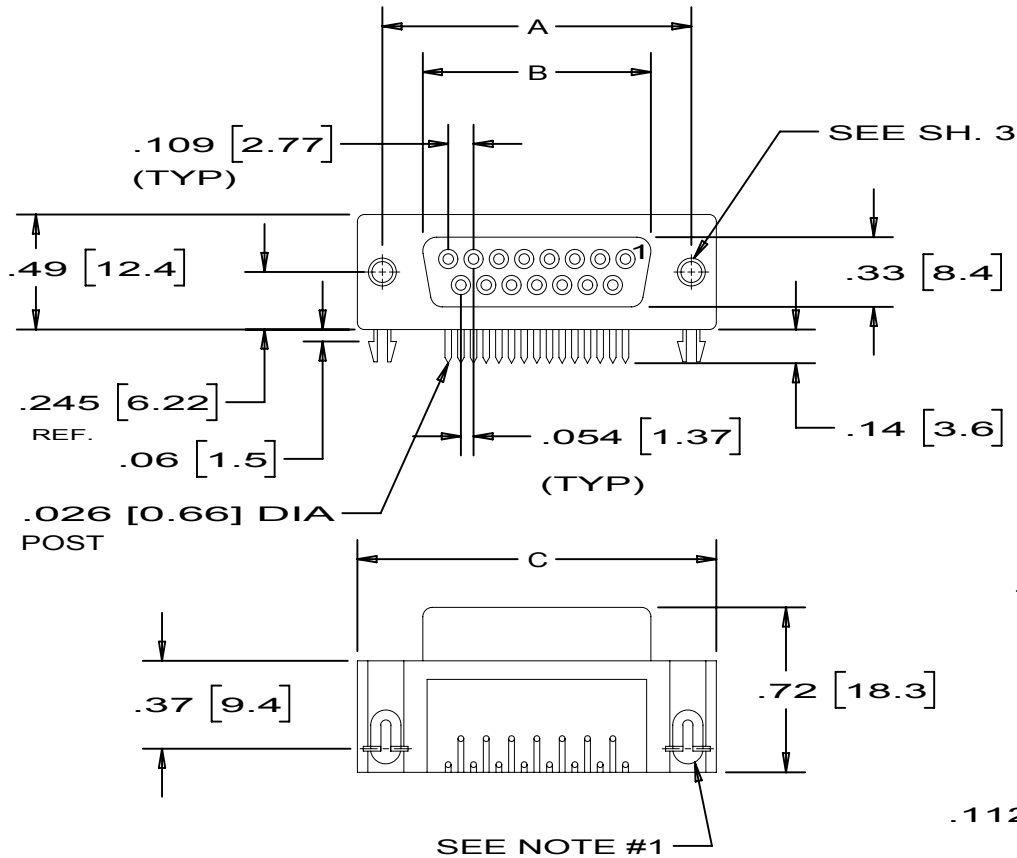
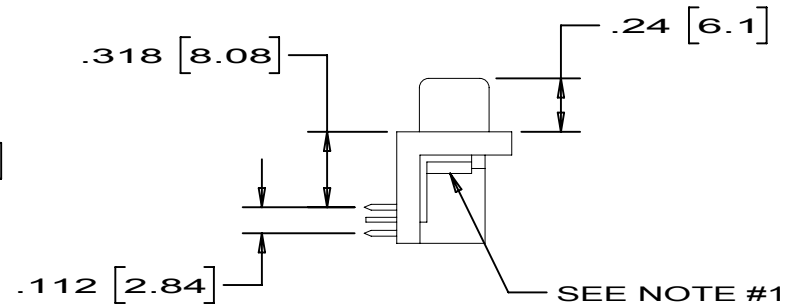


THIS COPY IS PROVIDED ON A RESTRICTED BASIS AND IS NOT TO BE USED IN ANY WAY DETRIMENTAL TO THE INTERESTS OF PANCON.



NOTES:

1. MOUNTING OPTIONS SHOWN ON SHEET 3.
2. ALL DIMENSIONS SHOWN IN INCHES [MILLIMETERS]
3. COMPATIBLE WITH EIA STANDARDS RS232, RS442, RS449, AND MIL-C-24308



Bolingbrook, Illinois

D-SUBMINIATURE RIGHT ANGLE SOCKET

UNLESS OTHERWISE SPECIFIED,  
DIMENSIONAL TOLERANCES ARE:  
(.X) ± (.XXX) ± .005 [.13]  
(.XX) ± .01 [ .25] ANGLES ±

UNLESS OTHERWISE SPECIFIED, ALL DIMENSIONS ARE GIVEN IN INCHES.  
THIRD ANGLE PROJECTION.  
SCALE 1:1

DRAWN BY  
LE

DATE  
3-21-91

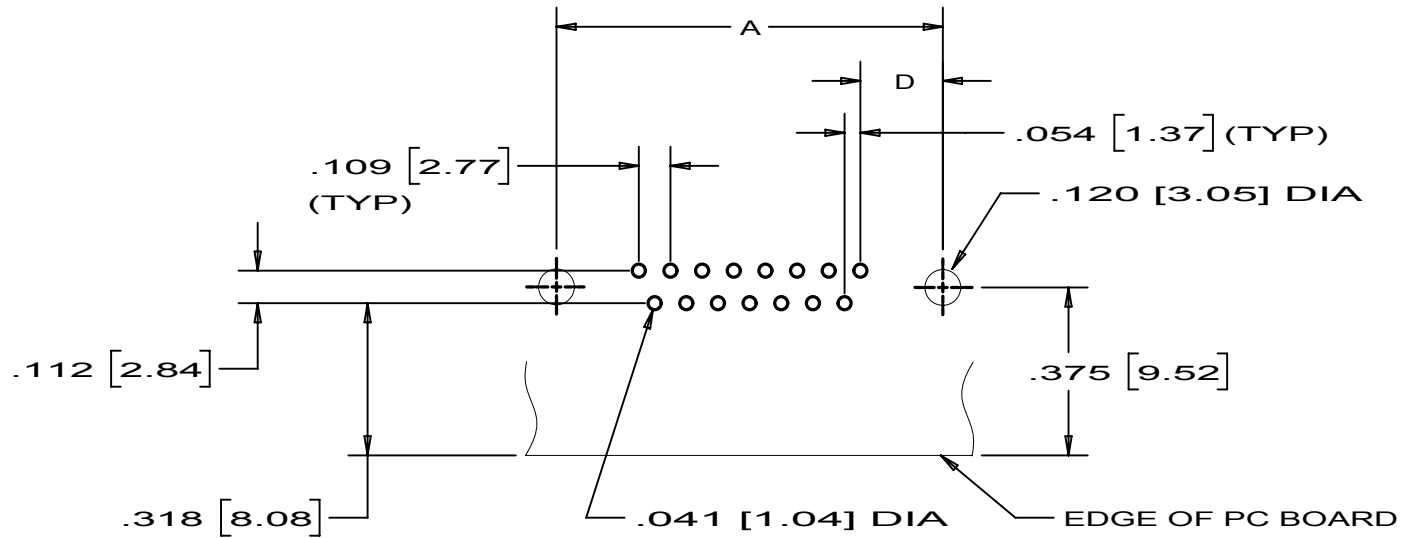
CHK'D  
TOG

DRAWING NO. DWG.  
KA-10412 A  
SHT 1 OF 3 SIZE

REV	DATE	BY	CHK	DESCRIPTION	CN - R	CUST	SUP
6		KI		Added M3 insert option			

THIS COPY IS PROVIDED ON A RESTRICTED BASIS AND IS NOT TO BE USED IN ANY WAY DETRIMENTAL TO THE INTERESTS OF PANCON.

### PC BOARD MOUNTING LAYOUT



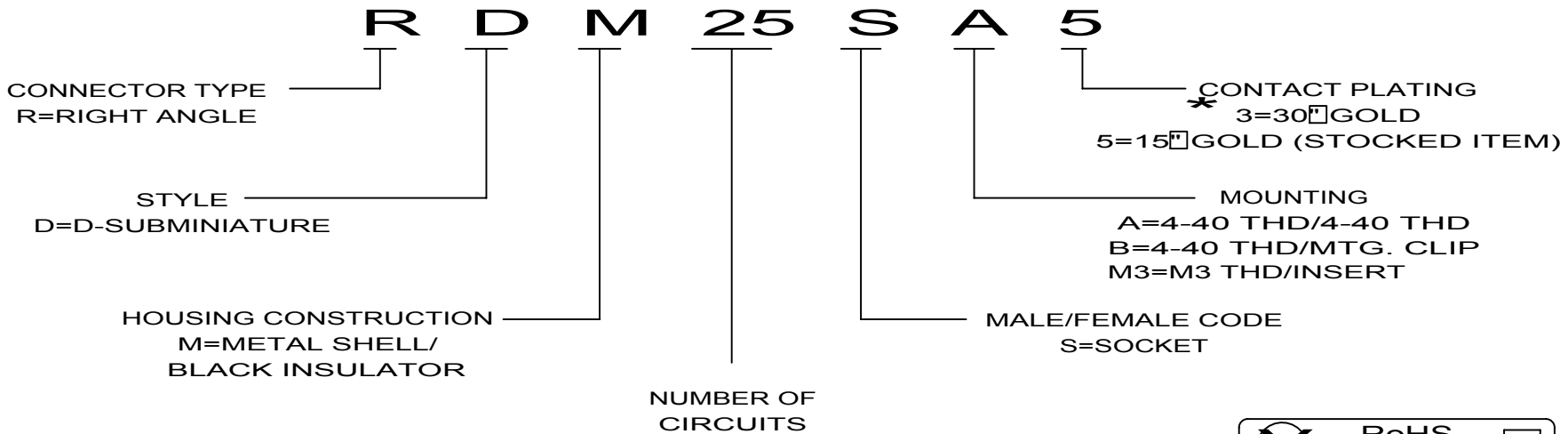
					 www.pancon.de / GERMANY www.panconconnectors.com / USA		Bolingbrook, Illinois	
					<b>D-SUBMINIATURE RIGHT ANGLE SOCKET</b>			
					UNLESS OTHERWISE SPECIFIED, DIMENSIONAL TOLERANCES ARE: (.X) ± (.XXX) ± .005 [.13] (.XX) ± .01 [ .25] ANGLES ±		UNLESS OTHERWISE SPECIFIED, ALL DIMENSIONS ARE GIVEN IN INCHES. THIRD ANGLE PROJECTION. SCALE <b>1:1</b>	
					DRAWN BY <b>LE</b>		MATERIAL	
					DATE <b>3-21-91</b>		DRAWING NO. <b>KA-10412</b>	
					CHK'D <b>TOG</b>		DWG. <b>A</b> SIZE	
6		KI		See Sh. 1	CN - R	CUST	SUP	SHT 2 OF 3
REV	DATE	BY	CHK	DESCRIPTION	CN - R	CUST	SUP	

THIS COPY IS PROVIDED ON A RESTRICTED BASIS AND IS NOT TO BE USED IN ANY WAY DETRIMENTAL TO THE INTERESTS OF PANCON.

PART NUMBER	NUMBER OF CIRCUITS	DIM A ±.005 [0.13]	DIM B	DIM C ±.015 [0.38]	DIM D
RDM9S**	9	.984 [24.99]	.643 [16.33]	1.216 [30.89]	.274 [6.96]
RDM15S**	15	1.312 [33.32]	.971 [24.66]	1.539 [39.10]	.274 [6.96]
RDM25S**	25	1.852 [47.04]	1.511 [38.38]	2.090 [53.09]	.272 [6.91]
RDM37S**	37	2.500 [63.50]	2.159 [54.04]	2.732 [69.40]	.269 [6.83]

\*\*SEE P/N SYSTEM FOR MOUNTING & CONTACT PLATING CODES

PART NUMBER SYSTEM



\* CONSULT FACTORY FOR AVAILABILITY ON 30µIN GOLD

										 www.pancon.de / GERMANY www.panconconnectors.com / USA		Bolingbrook, Illinois	
										D-SUBMINIATURE RIGHT ANGLE SOCKET			
										UNLESS OTHERWISE SPECIFIED, DIMENSIONAL TOLERANCES ARE: (.X) ± (.XXX) ±.005 [.13] (.XX) ±.01 [ANGLES ±		UNLESS OTHERWISE SPECIFIED, ALL DIMENSIONS ARE GIVEN IN INCHES. THIRD ANGLE PROJECTION. SCALE 1:1	
										DRAWN BY LE		MAT'L	
										DATE 3-21-91		DRAWING NO. KA-10412	
										CHK'D TOG		SHT 3 OF 3	
6		KI		See Sh. 1									DWG. A
REV	DATE	BY	CHK	DESCRIPTION			CN - R	CUST	SUP				SIZE