

Emergency Stop Buttons With Collar

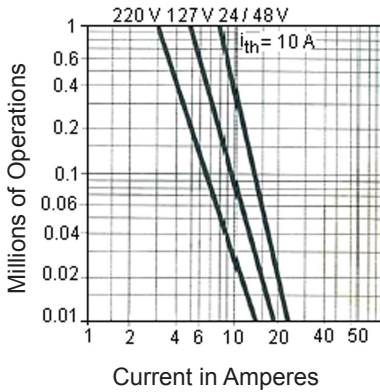


General Characteristics Table

Products	Push buttons, selector switches, latching mushroom head push buttons, pilot lights and illuminated push buttons
Reference Standard	IEC 947-5-1/EN 60947-5-1, UL 508, CSA C-22-2 n° 14
Protection degree	IP65 according to IEC 947-1
Pollution Degree	3
Temperature	-40°C to +70°C (storage) -25°C to +70°C (working)

Vibration Resistance	Mushroom head push buttons: 8 gn Other push buttons and pilot lights: 15 g (40 to 500 Hz) conforming to IEC 68-2-6
Shock Resistance	Push buttons : 70 gn Mushroom head push buttons : 15 gn Selector switches : 200 gn Conforming to IEC 68-2-27
Working Position	All working positions are allowed
Mechanical Life	Push buttons and selector switches 1 million operations, emergency mushroom push buttons 3,00,000 operations
Rated Thermal Current	I_{th} 10 A
Rated Insulation Voltage	U_i 500 V conforming to IEC 947, UL 508 and CSA 22-2 n° 14
Insulation Category	Group C conforming to NF C 20-040, VDE 0110
Operating Force	Push buttons - 1 'NO' = 10 N, 1 'NC' = 8 N Additional contacts- 'NO' = +5 N, 'NC' = +3 N
Dielectric Strength	2.5 KV for 1 minute
Insulation Resistance	2 MΩ min. (500 V dc)
Initial Contact Resistance	≤25 MΩ
Short Circuits Protection	10 A 500 V, cartridge fuse gl or N conforming to IEC 337-1
Terminal Reference	Conforming to CENELEC EN 50013
Connections	On screw with non losable plate lamp Sec, 2.5 mm ² max. (14 AWG)
Contact Operation	Self cleaning type, slow action, positive opening
Operation Frequency	3,600 operations per hour
Utilization Category	AC 15 (DC 13)
Rated Power Conforming to IEC 947-5-1 Load factor: 0.5 AC supply (50 / 60 Hz)	DC supply Power broken in watts for 1 million operations Voltage :24 V 48 V 120 V Inductive load :65 W 48 W 40 W

Emergency Stop Buttons With Collar



DC Ratings, NEMA Type Q600

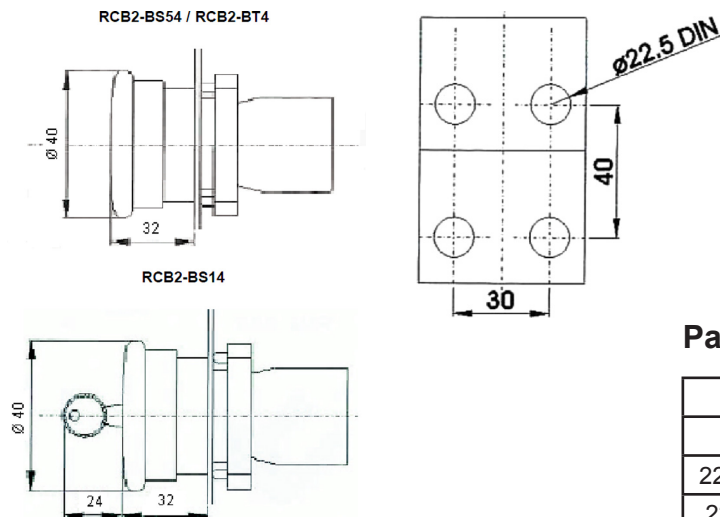
Inductive and Resistive

Volts	Make and Break	Continuous
125	55	2.5
250	0.27	
600	0.1	

AC Ratings, Inductive - NEMA A600

35% Power Factor

Volts	Make Amperes	VA	Break Amperes	VA	Continuous Carrying Amperes	Resistive 75% Power Factor Make, Break and Continuous Amperes
120	60	7,200	6	720	10	10
240	30		3			
480	15		1.5			
600	12		1.2			



Part Number Table

Description	Part Number
22mm Switches EM. Stop Twist	RCB2-BS54
22mm Switches EM. Stop Twist + N / C	RCB2-BS542
22mm Switches EM. Stop Key + N / C	RCB2-BS142
22mm Switches EM Stop Push / Pull	RCB2-BT4

Important Notice : This data sheet and its contents (the "Information") belong to the members of the Premier Farnell group of companies (the "Group") or are licensed to it. No licence is granted for the use of it other than for information purposes in connection with the products to which it relates. No licence of any intellectual property rights is granted. The Information is subject to change without notice and replaces all data sheets previously supplied. The Information supplied is believed to be accurate but the Group assumes no responsibility for its accuracy or completeness, any error in or omission from it or for any use made of it. Users of this data sheet should check for themselves the Information and the suitability of the products for their purpose and not make any assumptions based on information included or omitted. Liability for loss or damage resulting from any reliance on the Information or use of it (including liability resulting from negligence or where the Group was aware of the possibility of such loss or damage arising) is excluded. This will not operate to limit or restrict the Group's liability for death or personal injury resulting from its negligence. Multicomp is the registered trademark of the Group. © Premier Farnell plc 2012.

