

# RC Series Illuminated Round Rocker Switches



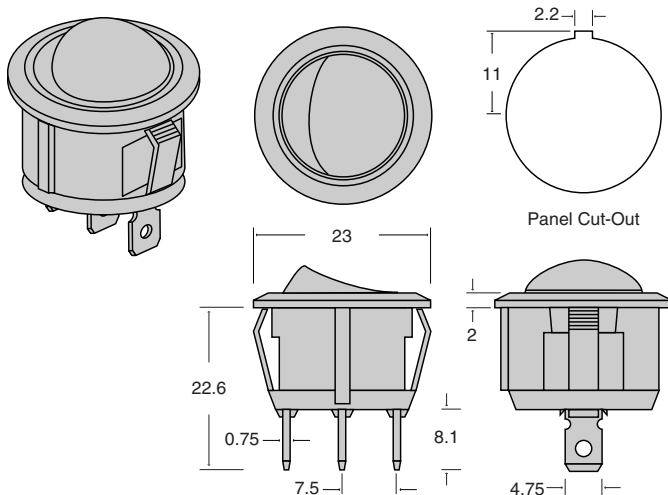
## Features

- Snap-in mounting
- Quick connect terminals

## Specifications

- Rating ..... 10A 250V AC  
..... 15A 125V AC
- Circuit-Position ..... S.P.S.T
- Contact Resistance ..... <math>< 50\text{m}\Omega</math> (Max)
- Insulation Resistance ..... 1,00M $\Omega$  (Min)
- Dielectric Strength ..... 1,500V AC for 1 Minute
- Safety Standard Approval ..... UL, CSA

Circuit	Switching	
9	SPST 2-Position (Illuminated) Maintained	OFF ON



## LED Specification: (T=25°C)

	Symbol	LED Parameters			Unit
		Green	Red	Yellow	
LED Color					
Peak Forward Current	IFM	30	30	30	mA
Ave. Forward Current	IF	20	20	20	mA
Forward Voltage	VF	3	3	3	V
Reverse Voltage	VR	5	5	5	V
Emission Wavelength	$\lambda_p$	571	830	590	nm
Luminous Intensity	1 v	4.25	5.10	3.40	mod
Operating Temperature		-40 - 85			°C

## Ordering Information:

Series	Switch Function	Rating	Housing Color	Actuator Color	Color of Window	Marking	Terminal	Lamp Voltage	Shape of Window	Color of Lamp	Safety Approval
RC											
	9 ON-OFF (Lighted)	5 10A 250V AC 15A 125V AC	K Black W White G Gray O Orange R Red N Green Y Yellow B Blue V Violet	K Black W White G Gray O Orange R Red N Green Y Yellow B Blue V Violet D Red M Green Y Yellow F Blue	E No Window R Red M Green Y Yellow F Blue T Transparent	B = C = E = F = G = I =	T Quick Connect, 4.8mm wide, 0.8mm thick  T Type	1 Neon Lamp (125V AC) 2 Neon Lamp (250V AC) 3 Tungsten Lamp (12V DC) 4 Tungsten Lamp (24V DC) L LED	L Elipse (LED lamp) C Round (Neon or Tungsten lamp) E No Window (Neon or Tungsten lamp)	N Transparent Neon Lamp F Green Fluorescent Neon Lamp B Blue Fluorescent Neon Lamp T Tungsten Lamp R Red LED Lamp M Green LED Lamp Y Yellow LED Lamp	B UL, ENEC

