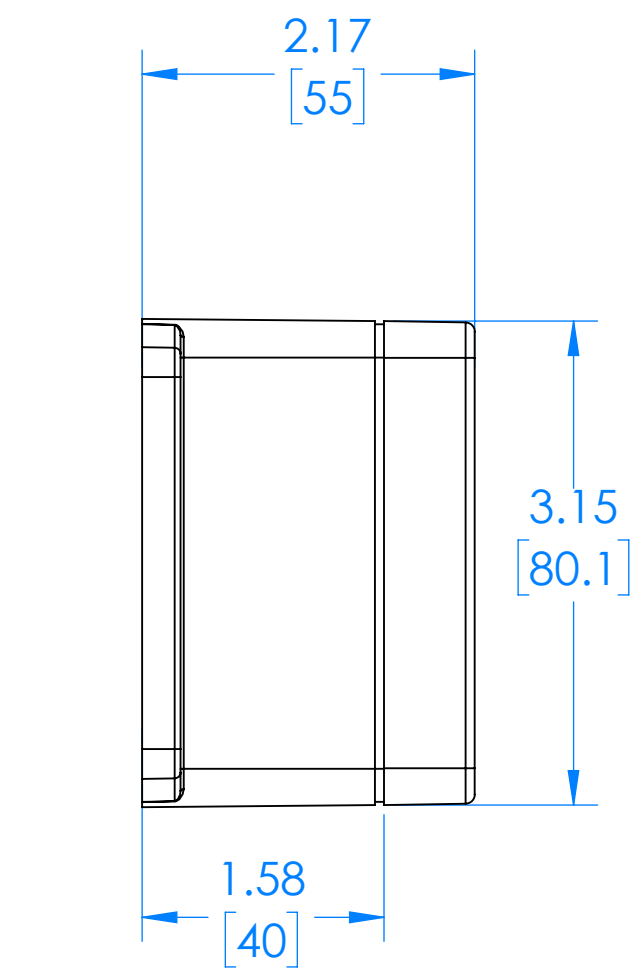
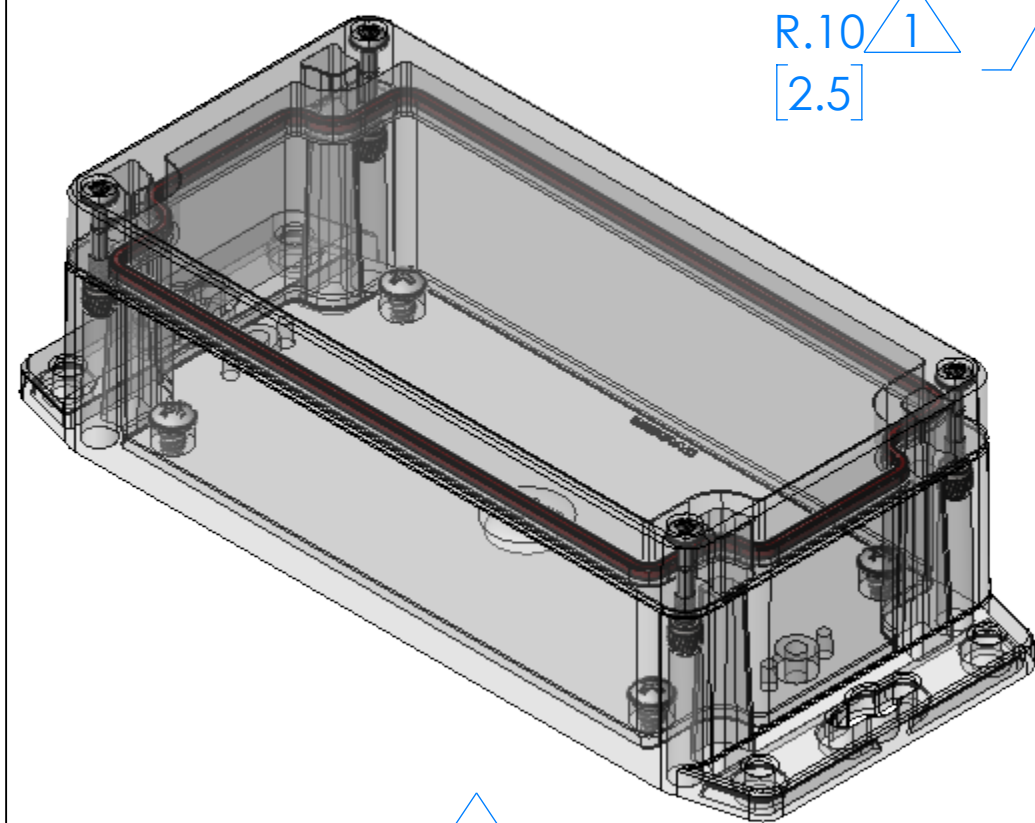


# SERPAC RBF63X06Y16Y <sup>2</sup>

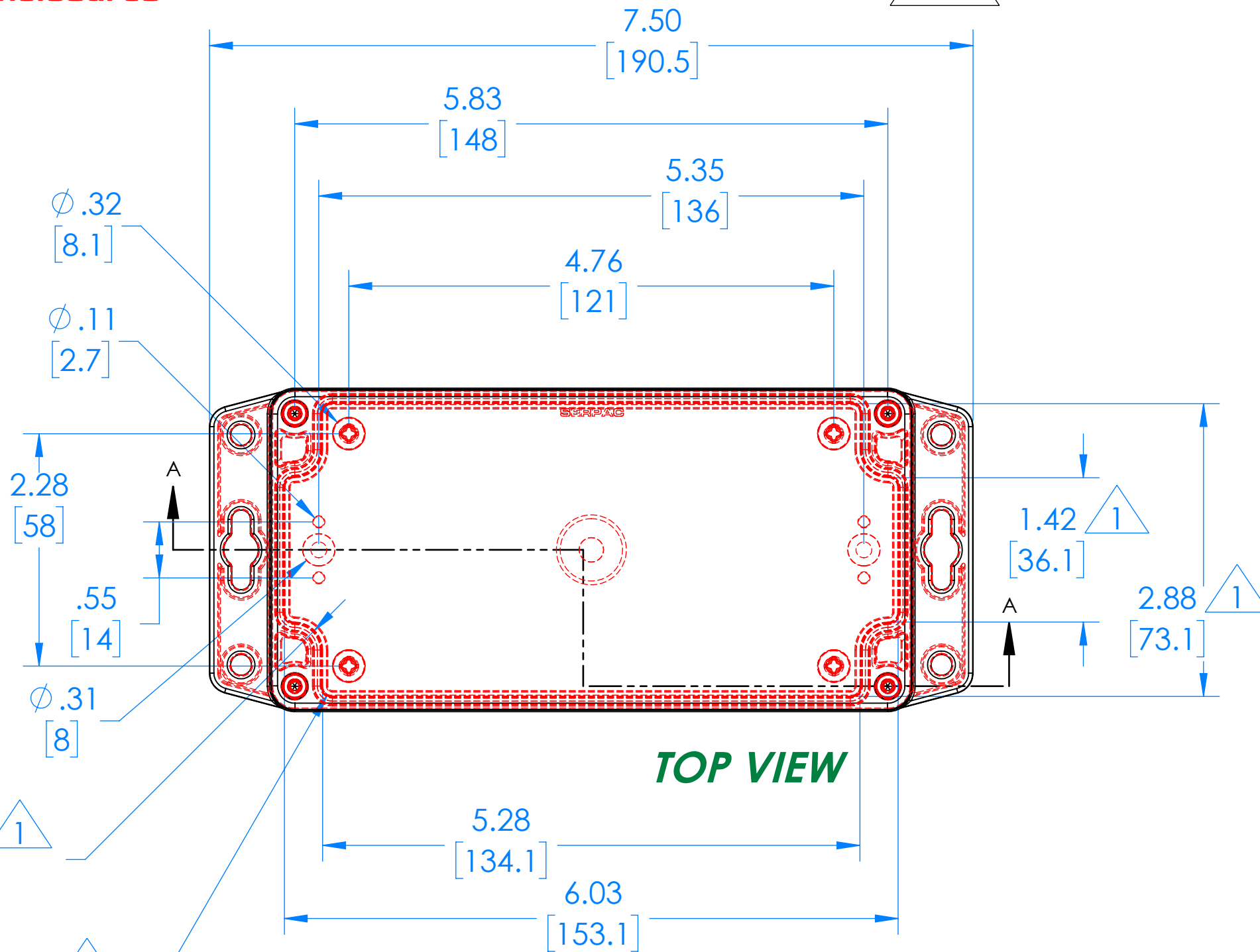
Electronic Enclosures



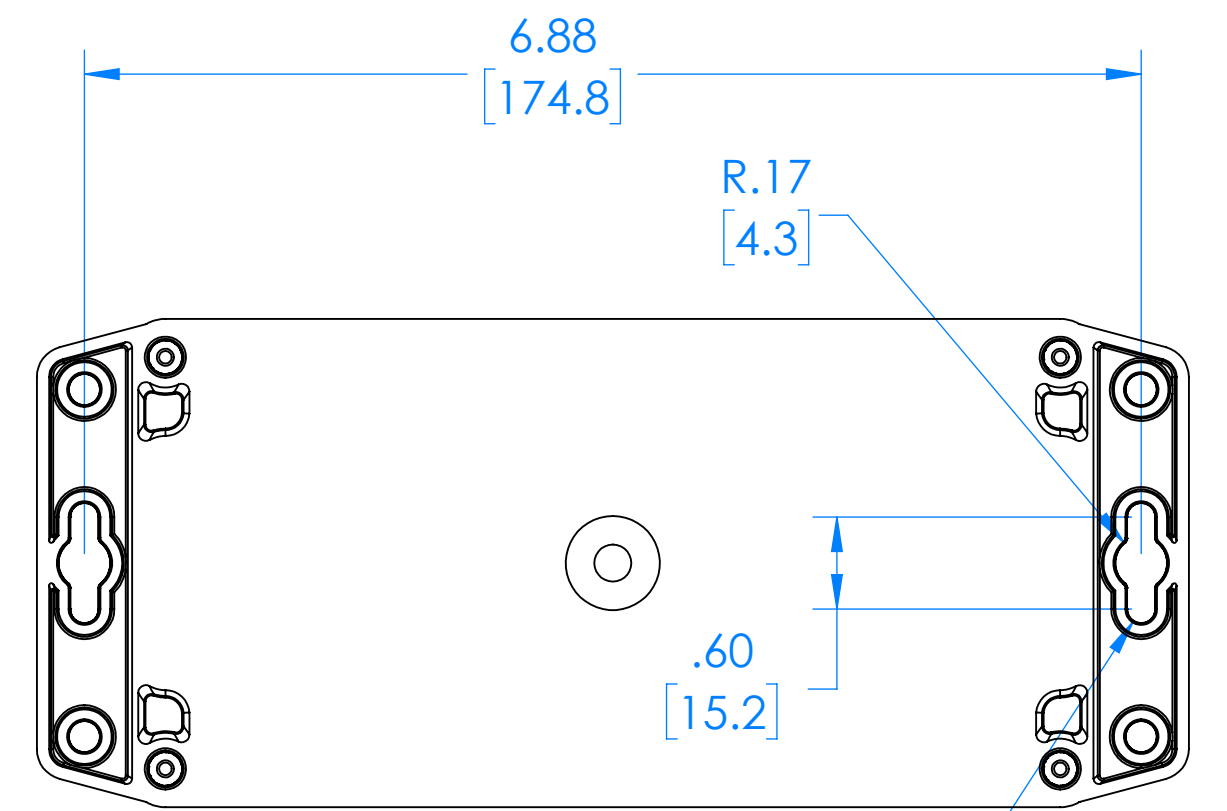
**END VIEW**



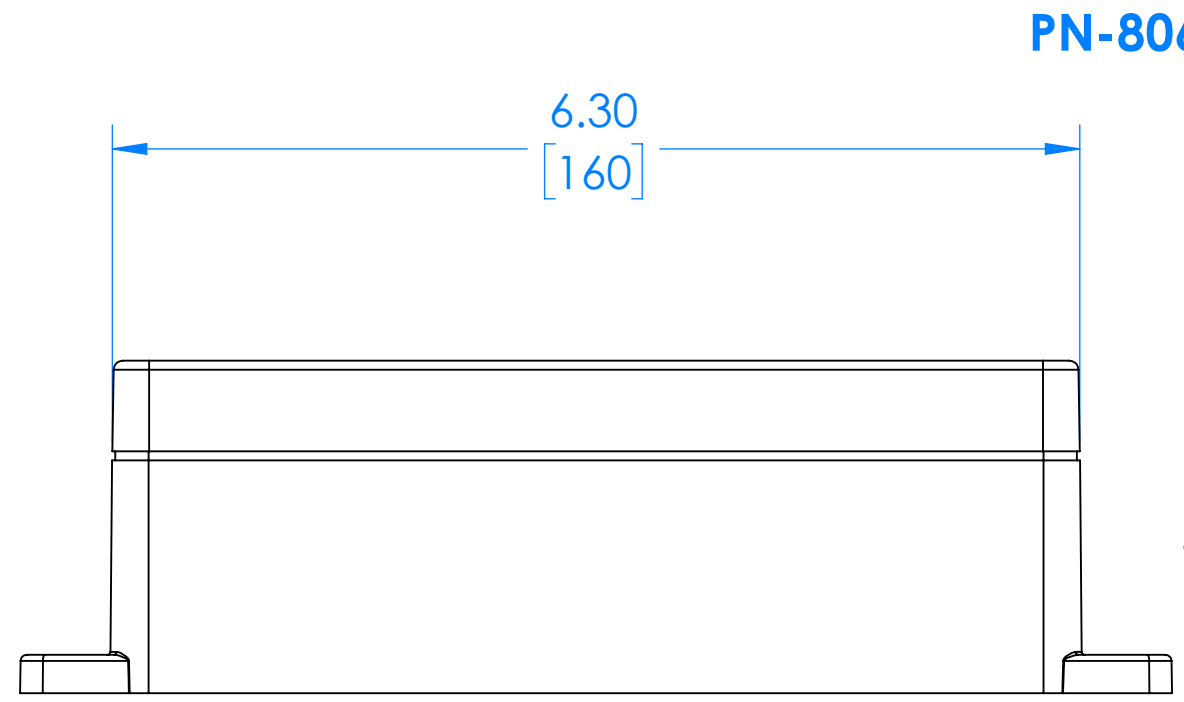
**RBF63X06C16C <sup>2</sup>**  
(Part shown, no material (X) specified)



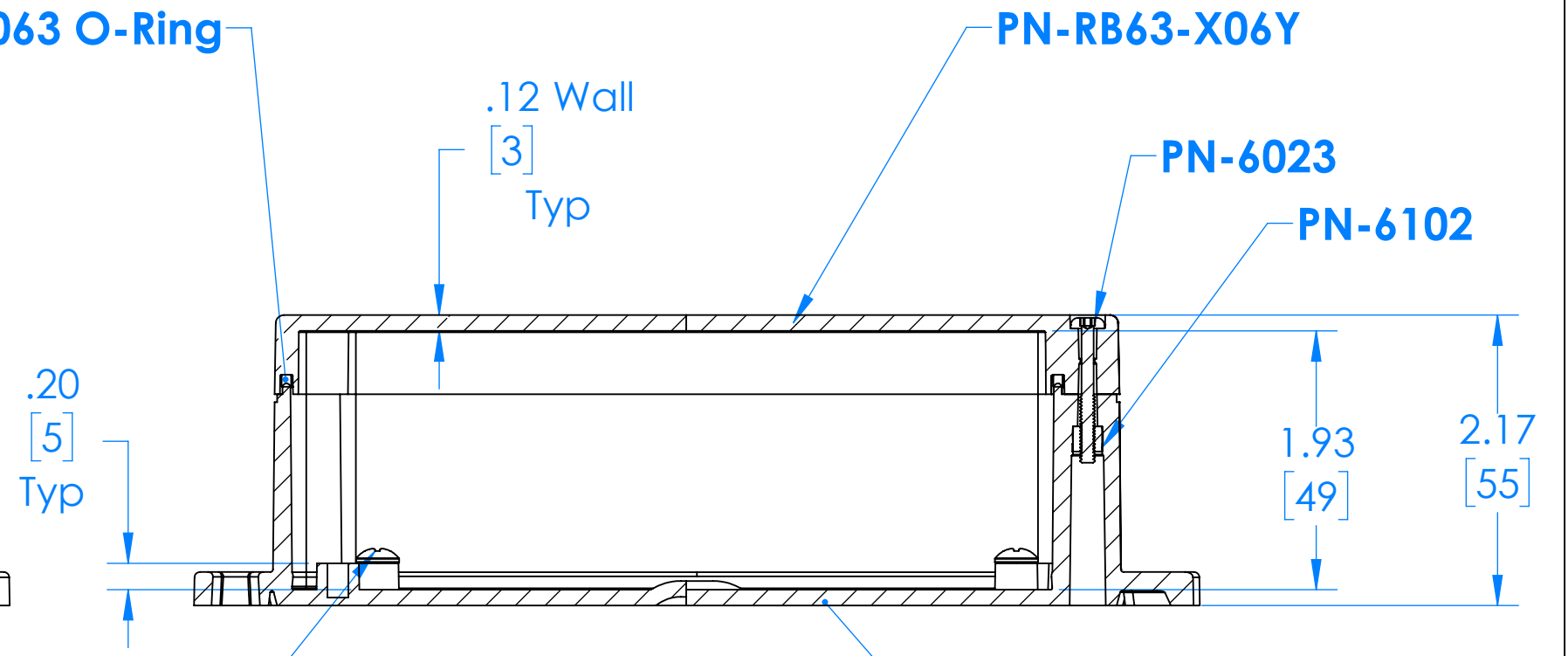
**TOP VIEW**



**BOTTOM VIEW**



**SIDE VIEW**



**SECTION A-A**

PN	Description
RB63-X06Y	(1) RB63X06Y, Top
RBF63X16Y	(1) RBF63X16Y, Bottom
8063	(1) RB63 O-Ring
6023	(4) #4-40 Torx 10 Hd Screw
6022	(4) #10 High/Low Pan Hd x 1/4"
6102	(4) #4-40 Threaded Insert

<sup>1</sup> =INTERIOR DIMENSIONS (@ BOTTOM)  
<sup>2</sup> =STANDARD COLORS (Y) ARE: BLACK (B), CLEAR (C) AND GRAY (G)  
 TOPS AND BOTTOMS ALL POSSIBLE COMBINATIONS AVAILABLE  
 STANDARD MATERIALS (X) ARE: POLYCARBONATE (P) AND ABS (A)

-Watertight enclosure meets or exceed Nema 4 and or IP67.

DIMENSIONS in Inch [mm]