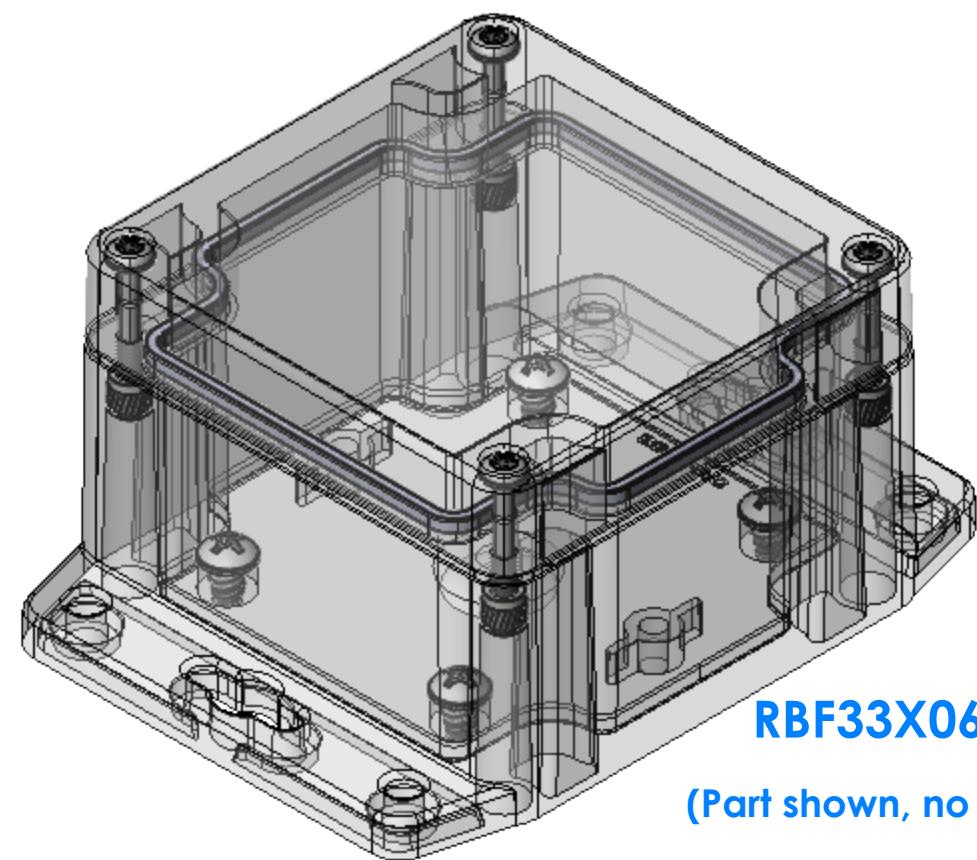
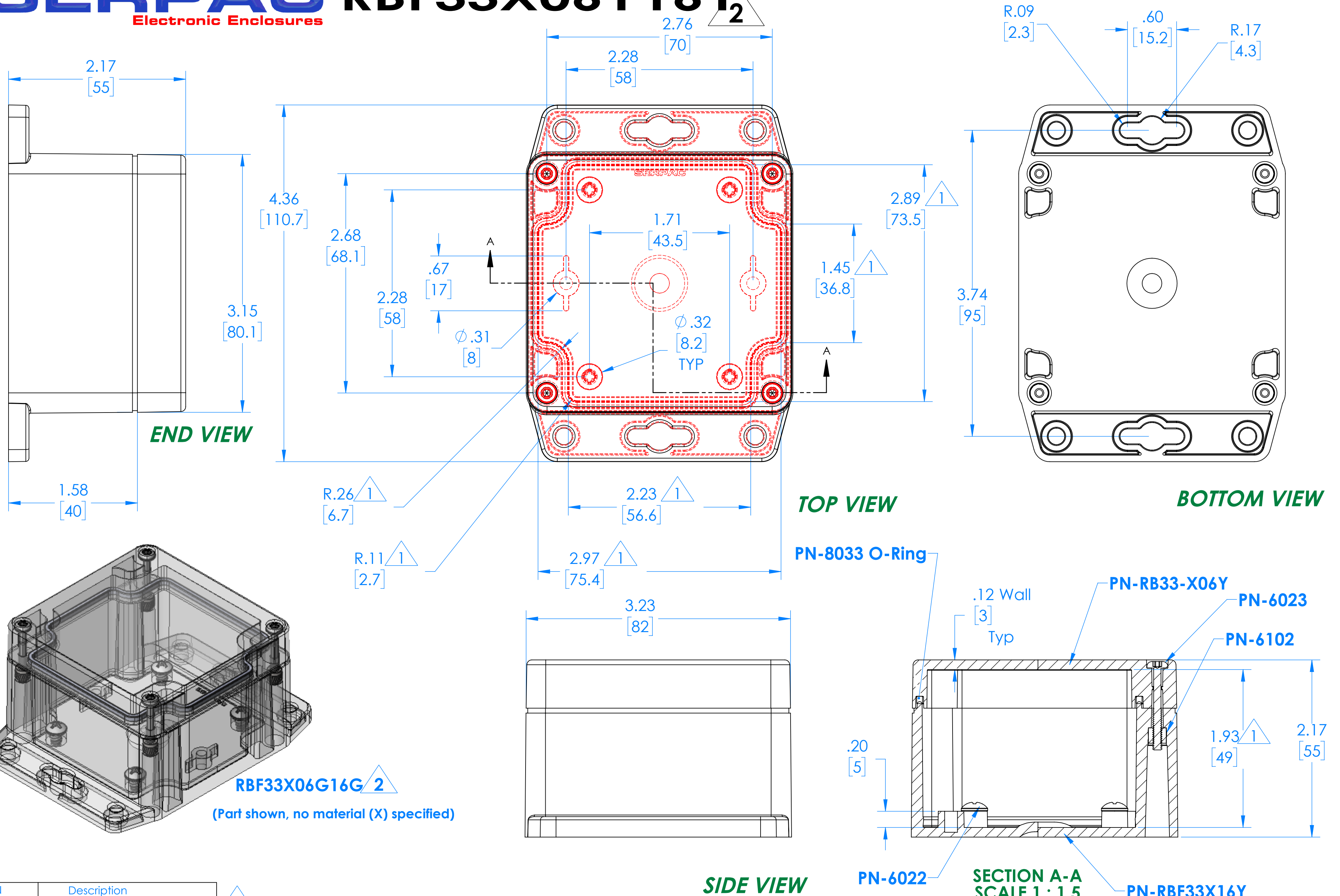


# SERPAC RBF33X06Y16Y<sub>2</sub>

Electronic Enclosures



PN	Description
RB33-X06Y	(1) RB33-X06Y, Top
RBF33X16Y	(1) RBF33X16Y, Bottom
8033	(1) RB33 O-Ring
6023	(4) #4-40 Torx 10 Hd Screw
6022	(4) #10 High/Low Pan Hd x 1/4"
6102	(4) #4-40 Threaded Insert

1 = INTERIOR DIMENSIONS (@ BOTTOM)  
 2 = STANDARD COLORS (Y) ARE: BLACK (B), CLEAR (C) AND GRAY (G)  
 TOPS AND BOTTOMS ALL POSSIBLE COMBINATIONS AVAILABLE  
 STANDARD MATERIALS (X) ARE: POLYCARBONATE (P) AND ABS (A)  
 DIMENSIONS in Inch [mm]  
 -Watertight enclosure meets or exceed Nema 4 and or IP67.