

Curvette R/RSC-Series

Single Pole Rocker & Paddle Switches

Since its introduction, the Curvette switch has become the barometer for versatility and performance in the miniature switch market. Self cleaning contacts, International approvals, along with a wide variety of circuits, ratings, and actuator options make the Curvette the switch of choice for many markets including Appliance, HVAC, Office Lighting, Transportation, Commercial Food and Lawn & Garden.



Carling Technologies®

Innovative Designs. Powerful Solutions.

Innovative Designs. Powerful Solutions.

Carling Technologies, Inc.
60 Johnson Avenue • Plainville, CT 06062-1177
Phone: (860) 793-9281 • Fax: (860) 793-9231
Email: sales@carlingtech.com • www.carlingtech.com

Dielectric Strength

UL/CSA:
1000V - live to dead metal parts
VDE:
4000V - live to dead metal parts;
750V - across open contacts

Mechanical Life

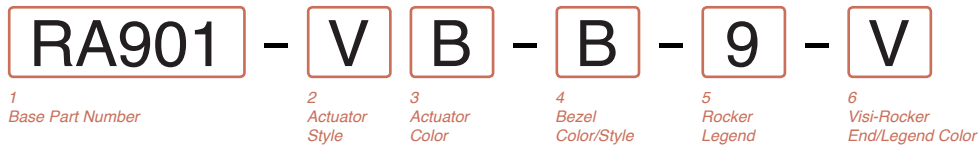
100,000 cycles

Operating Temperature

32°F to 185°F (0°C to 85°C)

Electrical Life

100,000 cycles



1 BASE PART NUMBER: SERIES/CIRCUITRY/RATING/TERMINATION
10A 250 VAC; 16A 125 VAC; 3/4 HP 125-250 VAC; 10(4) A 250 VACu T85

| | | | |
|---|----------------|----------------|--------------|
| | Solder Lugs | .250 Tabs | Wire Leads |
| OFF-NONE-ON | RA900 | RA901 | RA905 |
| ON-NONE-ON | RB900 | RB901 | RB905 |
| ON-OFF-ON ³ | RC910 | RC911 | RC915 |
| OFF-NONE-ON ² | RD220 | RD221 | RD225 |
| 15A 250 VAC; 20A 125 VAC; 3/4 HP 125-250 VAC | | | |
| | Solder Lugs | .250 Tabs | |
| OFF-NONE-ON | RSCA200 | RSCA201 | |
| OFF-NONE-ON | RSCB200 | RSCB201 | |

4 BEZEL COLOR/STYLE

| | |
|------------------------|------------------------|
| STANDARD | OVAL |
| B Black (matte) | 1 Black (gloss) |
| W White (matte) | 2 White (gloss) |

5 ROCKER LEGEND

| | | |
|-------------------|-----------|-----------|
| | molded in | hot stamp |
| NO LEGEND | 0 | 0 |
| Off-On vertical | 1 | A |
| Off-On horizontal | 2 | B |
| I-O horizontal | 8 | D |
| I-O vertical | 9 | E |
| dual OFF-ON/I-O | | H |

2 ACTUATOR STYLE

| | |
|---------------------------|--------------------------------|
| M Momentary Rocker | R Rocker |
| P Paddle | V Visi-rocker (2 color) |

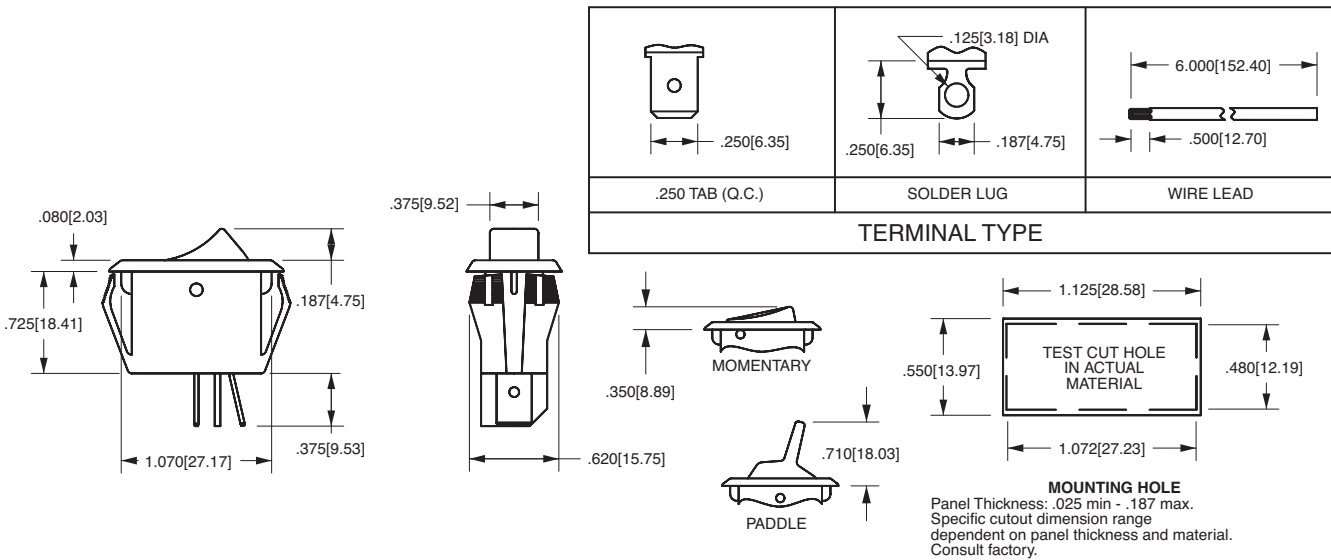
3 ACTUATOR COLOR

| | |
|------------------------|------------------------|
| 1 Black (gloss) | B Black (matte) |
| 2 White (gloss) | W White (matte) |

6 VISI-ROCKER END/LEGEND COLOR

| |
|-------------------|
| N N/A |
| B Black |
| V Visi-red |
| W White |

Notes:
 PC Terminals also available, consult factory for details.
 1 For additional ratings, consult factory.
 2 Rating is 8A 250 VAC, 12A 125 VAC, 1/2 HP 125-250 VAC, and must specify M actuator style.
 3 Not rated at 3/4 HP 125-250 VAC
 () indicates momentary function.



*Manufacturer reserves the right to change product specification without prior notice.