

Antenna cable - RAD-PIG-EF316-N-RSMA - 2701402

Please be informed that the data shown in this PDF Document is generated from our Online Catalog. Please find the complete data in the user's documentation. Our General Terms of Use for Downloads are valid (<http://phoenixcontact.com/download>)



Antenna cable for control cabinet feed-through, outside diameter: 3.2 mm (0.126 in.), inner conductor: stranded, attenuation: 0.6 / 0.9 / 1.4 dB at 0.9 / 2.4 / 5.8 GHz, connection: N (female) -> RSMA (male), cable length: 0.5 m (1.6 ft.)

Your advantages

- For indoors
- UV resistant
- Oil-resistant
- Halogen-free
- Flame-retardant

Key Commercial Data

Packing unit	1 pc
GTIN	 4 046356 746816
GTIN	4046356746816
Weight per Piece (excluding packing)	60.000 g
Custom tariff number	85442000
Country of origin	Poland

Technical data

Dimensions

Fixed cable length	50 cm
External diameter	2.50 mm
Hole diameter	16.1 mm

Ambient conditions

Antenna cable - RAD-PIG-EF316-N-RSMA - 2701402

Technical data

Ambient conditions

Ambient temperature (operation)	-40 °C ... 105 °C
Ambient temperature (storage/transport)	-40 °C ... 70 °C

General

Connection 1	Connector connection
Connection method	RSMA (male)
Connection 2	Connector connection
Connection method	N (female)
Cable type	EF 316
Outer sheath, material	RADOX®(LSFH)
External sheath, color	blue
Minimum bending radius	12.50 mm
Frequency range	0.3 GHz ... 6 GHz
Impedance	50 Ω

Attenuation

868 / 900 MHz	0.6 dB
2.4 GHz	1 dB
5 GHz	1.4 dB

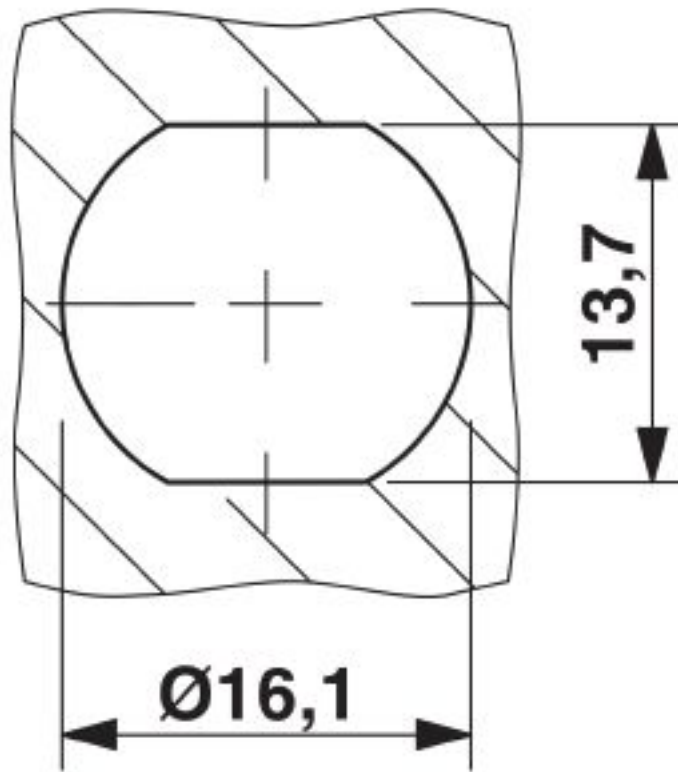
Environmental Product Compliance

REACH SVHC	Lead 7439-92-1
China RoHS	Environmentally Friendly Use Period = 25;
	For details about hazardous substances go to tab "Downloads", Category "Manufacturer's declaration"

Drawings

Antenna cable - RAD-PIG-EF316-N-RSMA - 2701402

Dimensional drawing



Drill holes

Classifications

eCl@ss

eCl@ss 4.0	27060800
eCl@ss 4.1	27060800
eCl@ss 5.0	27061800
eCl@ss 5.1	27061800
eCl@ss 6.0	27061800
eCl@ss 7.0	27061802
eCl@ss 8.0	27060310

Antenna cable - RAD-PIG-EF316-N-RSMA - 2701402

Classifications

eCl@ss

eCl@ss 9.0	27060310
------------	----------

ETIM

ETIM 4.0	EC000019
ETIM 5.0	EC001682
ETIM 6.0	EC001682
ETIM 7.0	EC001682

UNSPSC

UNSPSC 6.01	26121608
UNSPSC 7.0901	26121608
UNSPSC 11	26121608
UNSPSC 12.01	26121608
UNSPSC 13.2	26121608

Approvals


Approvals


Approvals

EAC / EAC

Ex Approvals

Approval details

EAC		EAC-Zulassung
-----	---	---------------

EAC		RU C- DE.A*30.B00767
-----	---	-------------------------
