

## Antenna - RAD-ISM-2400-ANT-OMNI-6-0 - 2885919

Please be informed that the data shown in this PDF Document is generated from our Online Catalog. Please find the complete data in the user's documentation. Our General Terms of Use for Downloads are valid (<http://phoenixcontact.com/download>)

Omnidirectional antenna, 2.4 GHz, 6 dBi, linear vertical, opening angle h/v 360°/30°, N (female), IP55, incl. mounting bracket and mast clips for 45 mm - 100 mm diameter, stainless steel, ATEX & IECEx approval



### Product Features

- ✓ For mobile applications with a longer range
- ✓ ATEX & IECEx approval



### Key Commercial Data

Packing unit	1 pc
Weight per Piece (excluding packing)	393.6 g
Custom tariff number	85177019
Country of origin	Italy

### Technical data

#### Dimensions

Width	22 mm
Height	250 mm

#### Ambient conditions

Degree of protection	IP55
Ambient temperature (operation)	-40 °C ... 75 °C
Ambient temperature (storage/transport)	-40 °C ... 75 °C

#### General

With connecting cable	No
Frequency range	2.4 GHz
	2.4 GHz ... 2.5 GHz

# Antenna - RAD-ISM-2400-ANT-OMNI-6-0 - 2885919

## Technical data

### General

Horizontal beamwidth	360 °
Vertical beamwidth	30 °
Polarization	Vertical
Impedance	50 Ω
Gain	6 dBi
Connection method	N (female)
Conformance	CE-compliant
ATEX	# II 1G Ex ia IIC T6 Ga
IECEX	Ex ia IIC T6 Ga

### Standards and Regulations

Standards/regulations	EN 60079-0
	EN 60079-11
	EN 60079-26
Conformance	CE-compliant
ATEX	# II 1G Ex ia IIC T6 Ga
IECEX	Ex ia IIC T6 Ga

## Classifications

### eCl@ss

eCl@ss 4.0	27250312
eCl@ss 4.1	27250312
eCl@ss 5.0	19070102
eCl@ss 5.1	19070102
eCl@ss 6.0	19070102
eCl@ss 7.0	19070102
eCl@ss 8.0	90909090

### ETIM

ETIM 2.0	EC000416
ETIM 3.0	EC001698
ETIM 4.0	EC001698
ETIM 5.0	EC001698

### UNSPSC

UNSPSC 6.01	43171611
UNSPSC 7.0901	43221706

# Antenna - RAD-ISM-2400-ANT-OMNI-6-0 - 2885919

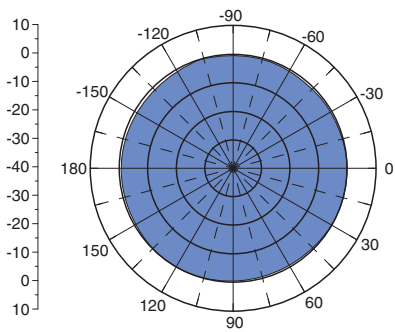
## Classifications

### UNSPSC

UNSPSC 11	43171611
UNSPSC 12.01	43221706
UNSPSC 13.2	43221706

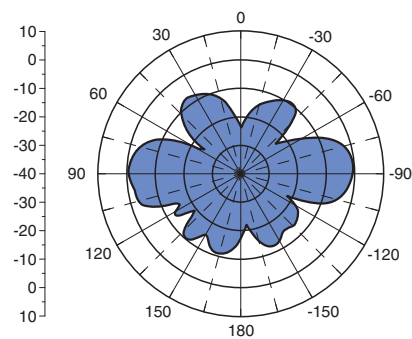
## Drawings

Diagram



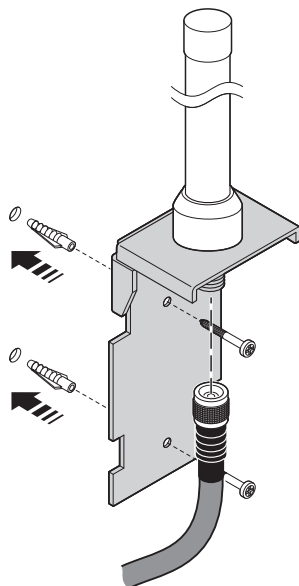
Horizontal

Diagram



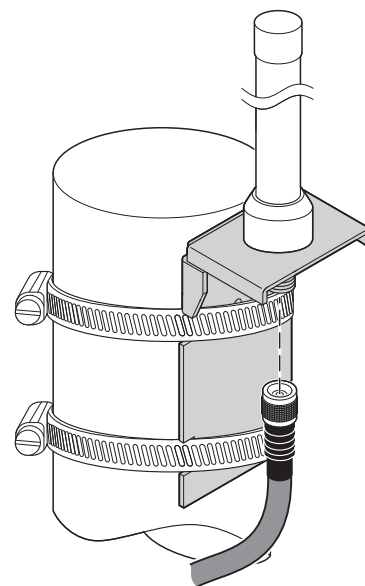
Vertical

Schematic diagram



Wall mounting

Schematic diagram



Mast mounting

