

## Cable for programming - RAD-CABLE-USB - 2903447

Please be informed that the data shown in this PDF Document is generated from our Online Catalog. Please find the complete data in the user's documentation. Our General Terms of Use for Downloads are valid (<http://phoenixcontact.com/download>)



USB data cable for communication between the PC and RAD-... Radioline devices. Energy supply for diagnostics and configuration via the USB port of the PC, cable length: 2 m

### Product Features

- Power supply for diagnostics and configuration via the USB port of the PC



### Key Commercial Data

Packing unit	1 pc
Weight per Piece (excluding packing)	80.0 g
Custom tariff number	85444290
Country of origin	Germany

### Technical data

#### Dimensions

Fixed cable length	2 m
--------------------	-----

#### Ambient conditions

Ambient temperature (operation)	-25 °C ... 70 °C (-13 °F ... 158 °F)
Ambient temperature (storage/transport)	-40 °C ... 85 °C (-40 °F ... 185 °F)

#### General

Connection 1	PC side
Connection method	USB 2.0 Fullspeed
Note	serial
Connection 2	Device side
Connection method	IFS data port

### Standards and Regulations

# Cable for programming - RAD-CABLE-USB - 2903447

## Technical data

### Standards and Regulations

Electromagnetic compatibility	Conformance with EMC Directive 2004/108/EC (valid until 19.04.2016) / 2014/30/EU (valid from 20.04.2016)
Noise emission	EN 61000-6-4
Noise immunity	EN 61000-6-2

## Classifications

### eCl@ss

eCl@ss 4.0	27230207
eCl@ss 4.1	27250312
eCl@ss 5.0	27242208
eCl@ss 5.1	27242208
eCl@ss 6.0	27242208
eCl@ss 7.0	27242208
eCl@ss 8.0	27060310

### ETIM

ETIM 3.0	EC001423
ETIM 4.0	EC001408
ETIM 5.0	EC001682

### UNSPSC

UNSPSC 6.01	30211506
UNSPSC 7.0901	43223108
UNSPSC 11	39121008
UNSPSC 12.01	43223108
UNSPSC 13.2	43223108

## Approvals

### Approvals

---

Approvals

EAC

---

Ex Approvals

## Cable for programming - RAD-CABLE-USB - 2903447

### Approvals

Approvals submitted

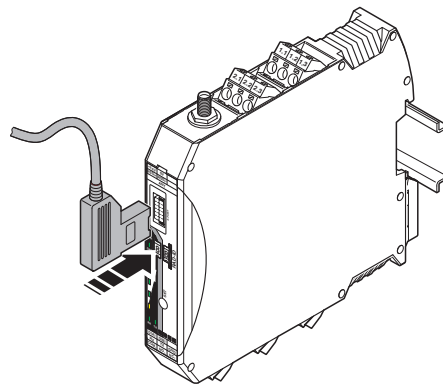
---

### Approval details

EAC
-----

### Drawings

Schematic diagram



### Example application

---

Phoenix Contact 2016 © - all rights reserved  
<http://www.phoenixcontact.com>