

## Adapter - RAD-ADP-N/F-N/F - 2867843

Please be informed that the data shown in this PDF Document is generated from our Online Catalog. Please find the complete data in the user's documentation. Our General Terms of Use for Downloads are valid (<http://phoenixcontact.com/download>)

Antenna adapter for control cabinet feed-through, frequency range: 0.3 GHz ... 6 GHz, degree of protection: IP65, connection: 2 x N (female)



### Your advantages

- ✓ As an adapter between devices and cables
- ✓ Adapter for installing the antenna inside buildings

### Key Commercial Data

Packing unit	1 pc
GTIN	 4 046356 046923
GTIN	4046356046923
Weight per Piece (excluding packing)	40.000 g
Custom tariff number	85366910
Country of origin	China

### Technical data

#### Dimensions

Width	38 mm
Diameter	16.5 mm

#### Ambient conditions

Ambient temperature (operation)	-65 °C ... 165 °C
Ambient temperature (storage/transport)	-65 °C ... 165 °C
Degree of protection	IP20

#### General

## Adapter - RAD-ADP-N/F-N/F - 2867843

### Technical data

#### General

Housing material	Brass (CuZn)
------------------	--------------

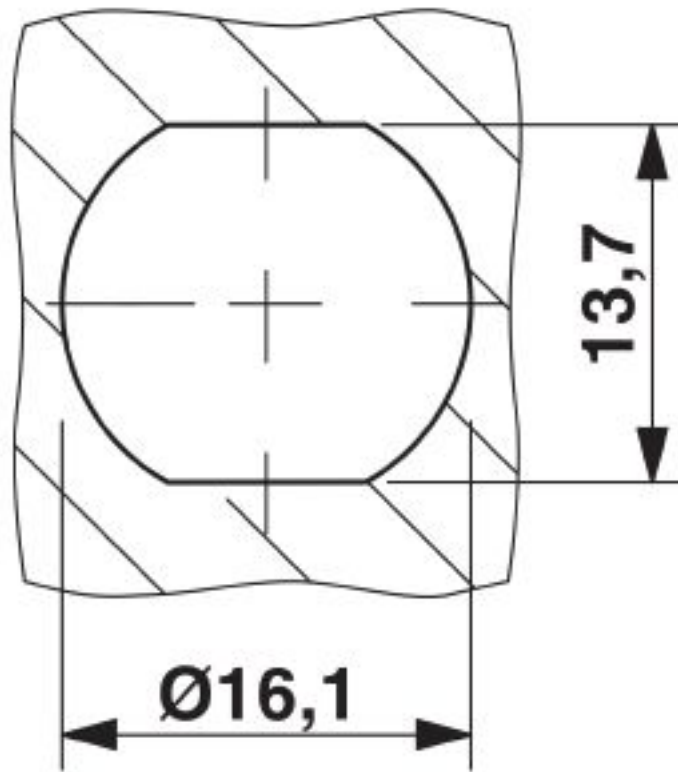
#### Environmental Product Compliance

REACH SVHC	Lead 7439-92-1
China RoHS	Environmentally Friendly Use Period = 25;
	For details about hazardous substances go to tab "Downloads", Category "Manufacturer's declaration"

### Drawings

## Adapter - RAD-ADP-N/F-N/F - 2867843

Dimensional drawing



Drill holes

### Classifications

eCl@ss

eCl@ss 4.0	27060800
eCl@ss 4.1	27060800
eCl@ss 5.0	27061800
eCl@ss 5.1	27061800
eCl@ss 6.0	27061800
eCl@ss 7.0	27440310
eCl@ss 8.0	27440310

## Adapter - RAD-ADP-N/F-N/F - 2867843

### Classifications

#### eCl@ss

eCl@ss 9.0	19070417
------------	----------

#### ETIM

ETIM 2.0	EC000019
ETIM 3.0	EC000019
ETIM 4.0	EC000019
ETIM 5.0	EC001135
ETIM 6.0	EC001135
ETIM 7.0	EC001135

#### UNSPSC

UNSPSC 6.01	26121608
UNSPSC 7.0901	26121608
UNSPSC 11	26121608
UNSPSC 12.01	26121608
UNSPSC 13.2	39121414