

Features

LED DRIVER

- Universal AC Input 90-295VAC
- 250mA, 350mA, 500mA, 700mA Output
- Constant Current Operation
- Isolation 3.75kVAC
- Overcurrent and Short Circuit Protection
- IP67 Rated

Selection Guide

Part Number	Rated Power (W)	Output Current (mA)	Output Voltage (VDC)	Constant Current Range (VDC)	Efficiency (min.)
RACD07-250	7	250	28	14 - 28	75%
RACD07-350	7	350	21	10 - 20	70%
RACD07-500	7	500	14.5	5 - 14.5	70%
RACD07-700	7	700	11	3 - 10.5	70%

Specifications (measured at 115VAC / 230VAC and 25°C ambient temperature)

Input Voltage Range	90-295 VAC	
Rated Power	7W nom.	
Input Frequency Range	47-63Hz	
Current Accuracy	±3% typ. / ±7% max.	
Output Current Ripple	30mA _{p-p} typ.	
Voltage Accuracy (includes load, line and tolerance)	±5%	
AC Input Current	0.2A	
Start-up Time	<1S	
Hold-Up Time	18ms min.	
Operating Frequency	45kHz	
Isolation Voltage	3.75kVAC / 1 minute	
Short Circuit Protection	Continuous	
Over Current Protection	Constant Current Mode Protection	
Overload Protection	105% - 120% typ.	
Output Overvoltage Protection	Zener Diode Clamp	
Storage Humidity	10% - 90% RH	
Operating Humidity	20% - 90% RH Non-Condensing	
Weight	74g	
Dimension	57 x 41 x 24mm	
Packing Quantity	100pcs / Carton	
Operating Temperature Range (free air convection)	Ambient Temperature	-20°C to +40°C
	Case Temperature	65°C max.
Storage Temperature Range	-40°C to +80°C	
IP Rating	IP67	
Isolation Resistance	100MΩ / 500VDC at 25°C	
PCB Material	(UL94V-0)	Plastic Resin with Fibreglass
Case Material	(UL94V-0)	Plastic
Safety Standards		
UL General Safety (E340696)	UL8750 (based on 1310)	
General Safety (Report 1201032E-01)	EN61347-1	
LVD Safety (Report PSE101-0791)	EN61347-2-13	
EMC Harmonics (Report 1201032E-01)	EN61000-3-2	
EMC Flicker (Report 1201032E-01)	EN61000-3-3	
EMC Emissions (Report 1201032E-01)	EN55015	

continued on next page

LIGHTLINE
AC/DC-Converter
with 3 year Warranty

RECOM

7 Watt
Single
Output



UL 8750 Certified
EN 61347 Certified
EN 61347-2-13 Certified

RACD07

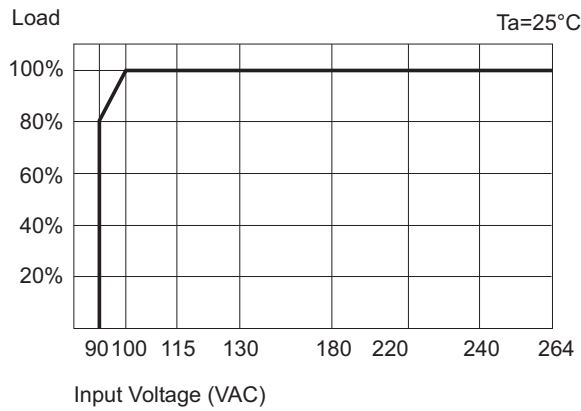
Specifications (measured at 115VAC / 230VAC and 25°C ambient temperature)

Design Lifetime		70 x 10 ³ hours max.
MTBF (+25°C)	using MIL-HDBK 217F	200 x 10 ³ hours min.

Notes:

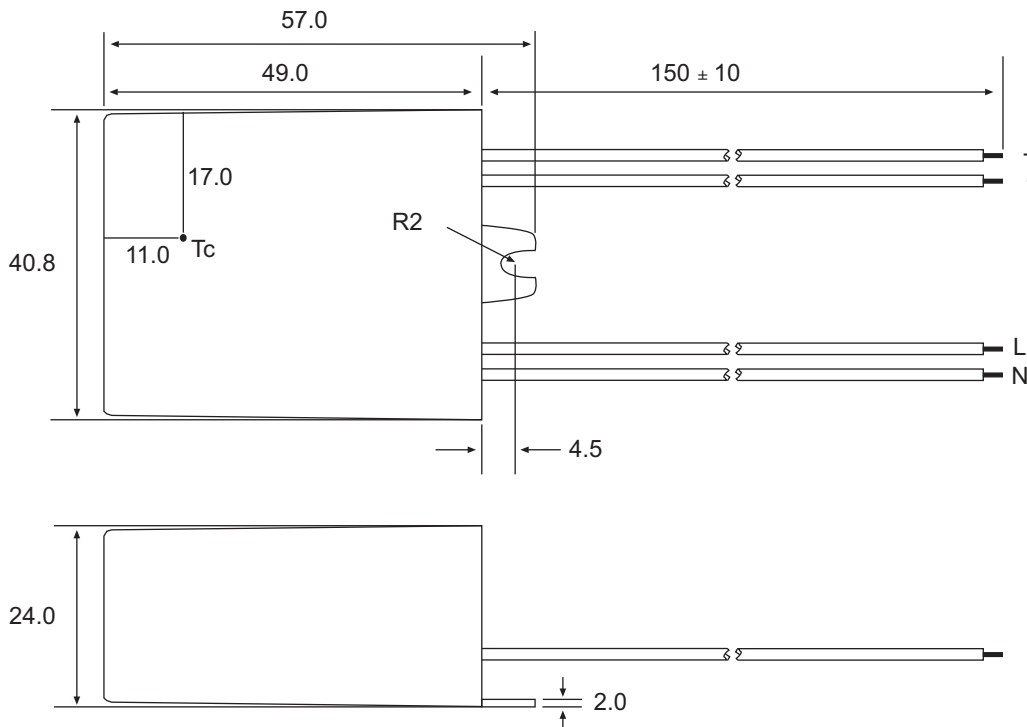
1. All LED Drivers may not be used without a load. They must be switched on the primary side only. Noncompliance may damage the LED or reduce its lifetime.
2. The use of a circuit breaker with C-characteristic is recommended.

Typical Characteristics



RACD07

Package Style & Pinning



Wire Connections	
Wire	Function
Red	LED+
Black	LED-
Brown	VAC in (L)
Blue	VAC in (N)
Tolerance	
XX.X = +/- 0.2mm	

The product information and specifications are subject to change without prior notice. All products are designed for non-safety critical commercial and industrial applications. The Buyer agrees to implement safeguards that anticipate the consequences of any failures that might cause harm, loss of life and/or damage property.