

CURVETTE

R/RSC-Series

SINGLE POLE ROCKER & PADDLE SWITCHES

Since its introduction, the Curvette switch has become the barometer for versatility and performance in the miniature switch market. Self cleaning contacts, International approvals, along with a wide variety of circuits, ratings, and actuator options make the Curvette the switch of choice for many markets.



Product Highlights:

- ♦ Two color visi rocker to indicate “on” function
- ♦ Ratings to 20A
- ♦ Oval or rectangular bezels
- ♦ Patented mounting wings accommodate a wide range of panel openings

Typical Applications:

- ♦ Appliance
- ♦ HVAC
- ♦ Food Service
- ♦ Transportation



Dielectric Strength

UL/CSA:
1000V - live to dead metal parts
VDE:
4000V - live to dead metal parts;
750V - across open contacts

Mechanical Life

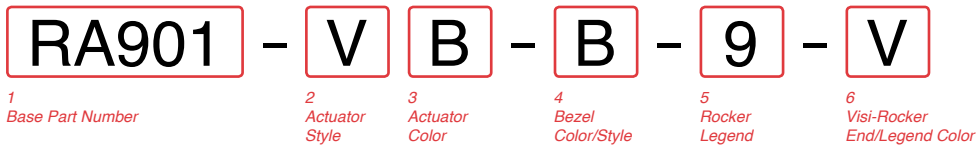
100,000 cycles

Operating Temperature

32°F to 185°F (0°C to 85°C)

Electrical Life

100,000 cycles



1 BASE PART NUMBER: SERIES / CIRCUITRY / RATING ¹ / TERMINATION
10A 250 VAC; 16A 125 VAC; 3/4 HP 125-250 VAC; 10(4) A 250 VACu T85

	Solder Lugs	.250 Tabs	Wire Leads
OFF-NONE-ON	RA900	RA901	RA905
ON-NONE-ON	RB900	RB901	RB905
ON-OFF-ON ³	RC910	RC911	RC915
OFF-NONE-ON ²	RD220	RD221	RD225

15A 250 VAC; 20A 125 VAC; 3/4 HP 125-250 VAC

	Solder Lugs	.250 Tabs
OFF-NONE-ON	RSCA200	RSCA201
ON-NONE-ON	RSCB200	RSCB201

4 BEZEL COLOR / STYLE

STANDARD
B Black (matte) 
W White (matte)

OVAL
1 Black (gloss) 
2 White (gloss)

5 ROCKER LEGEND

	molded in	hot stamp
NO LEGEND	0	0
Off-On vertical	1	A
Off-On horizontal	2	B
I-O horizontal	8	D
I-O vertical	9	E
dual OFF-ON/I-O	n/a	H

2 ACTUATOR STYLE

M Momentary Rocker	R Rocker
P Paddle	V Visi-rocker (2 color)

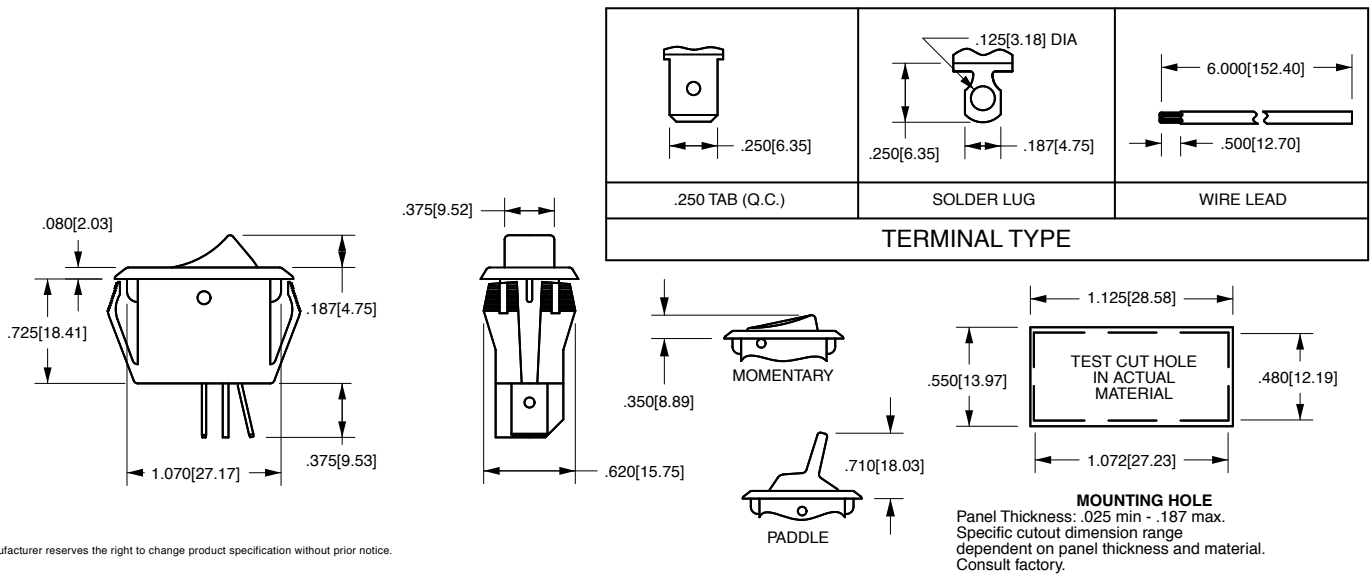
6 VISI-ROCKER END / LEGEND COLOR

N N/A
B Black
V Visi-red
W White

3 ACTUATOR COLOR

1 Black (gloss)	B Black (matte)
2 White (gloss)	W White (matte)

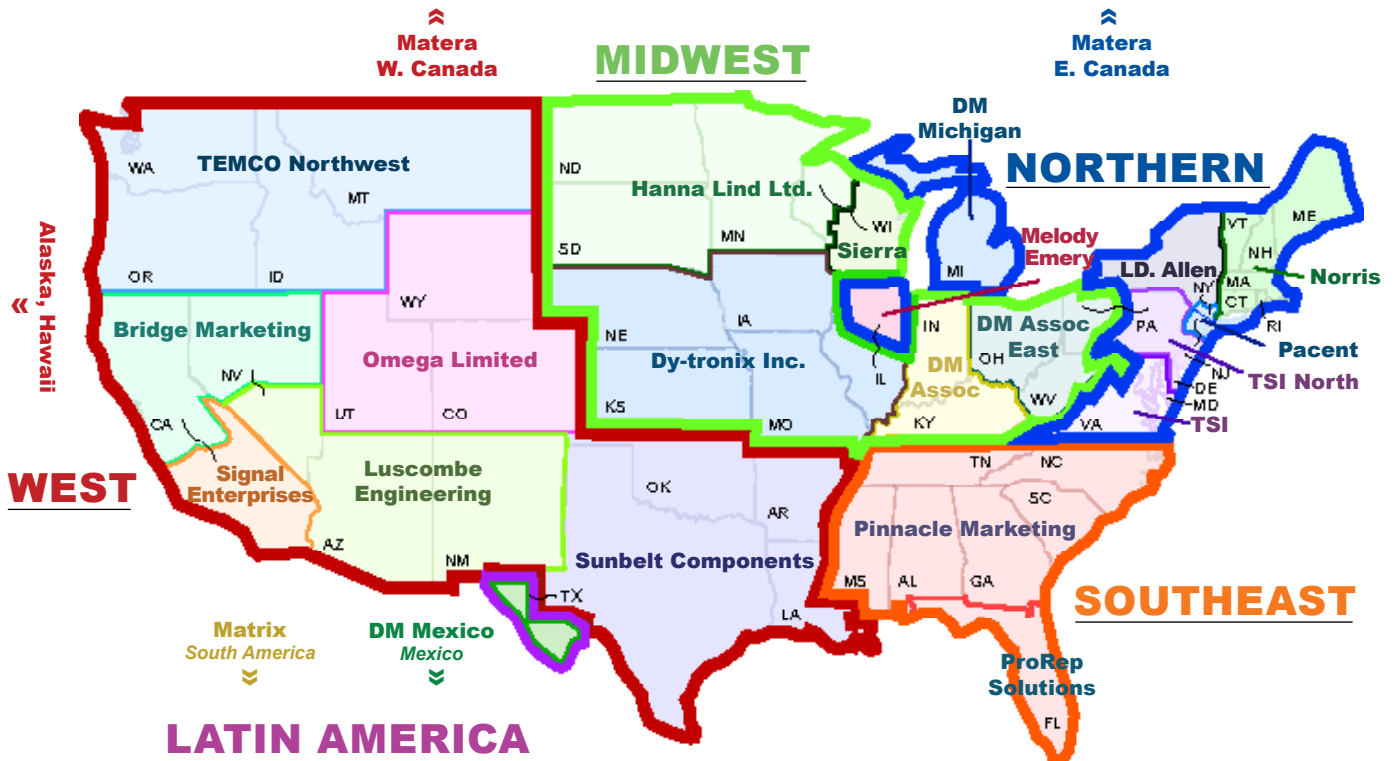
Notes:
 PC Terminals also available, consult factory for details.
 1 For additional ratings, consult factory.
 2 Rating is 8A 250 VAC, 12A 125 VAC, 1/2 HP 125-250 VAC, and must specify M actuator style.
 3 Not rated at 3/4 HP 125-250 VAC
 () indicates momentary function.



*Manufacturer reserves the right to change product specification without prior notice.

Authorized Sales Representatives

Click on the group name on the map below to find your local representative or visit www.carlingtech.com/findarep.



Americas



Europe
Middle East
Africa



Asia-Pacific
Oceania

About Carling

Founded in 1920, Carling Technologies is a leading manufacturer of electrical and electronic switches and assemblies, circuit breakers, electronic controls, power distribution units, and multiplexed power distribution systems. With four ISO registered manufacturing facilities and technical sales offices worldwide, Carling Technologies Sales, Service and Engineering teams do much more than manufacture electrical components, they engineer powerful solutions! To learn more about Carling please visit www.carlingtech.com/company-profile.

To view all of Carling's environmental, quality, health & safety certifications please visit www.carlingtech.com/environmental-certifications

Worldwide Headquarters

Carling Technologies, Inc.
60 Johnson Avenue, Plainville, CT 06062
Phone: 860.793.9281 **Fax:** 860.793.9231
Email: sales@carlingtech.com

Northern Region Sales Office: nrsm@carlingtech.com
Southeast Region Sales Office: sersm@carlingtech.com
Midwest Region Sales Office: mrsm@carlingtech.com
West Region Sales Office: wrsm@carlingtech.com
Latin America Sales Office: larsm@carlingtech.com

Asia-Pacific Headquarters

Carling Technologies, Asia-Pacific Ltd.,
Kowloon, Hong Kong
Phone: Int + 852-2737-2277 **Fax:** Int + 852-2736-9332
Email: sales@carlingtech.com.hk

Shenzhen, China: shenzhen@carlingtech.com
Shanghai, China: shanghai@carlingtech.com
Pune, India: india@carlingtech.com
Kaohsiung, Taiwan: taiwan@carlingtech.com
Yokohama, Japan: japan@carlingtech.com

Europe | Middle East | Africa Headquarters

Carling Technologies LTD
4 Airport Business Park, Exeter Airport,
Clyst Honiton, Exeter, Devon, EX5 2UL, UK
Phone: Int + 44 1392.364422 **Fax:** Int + 44 1392.364477
Email: ltd.sales@carlingtech.com

Germany: gmbh@carlingtech.com
France: sas@carlingtech.com



Carling Technologies™

Innovative Designs. Powerful Solutions.