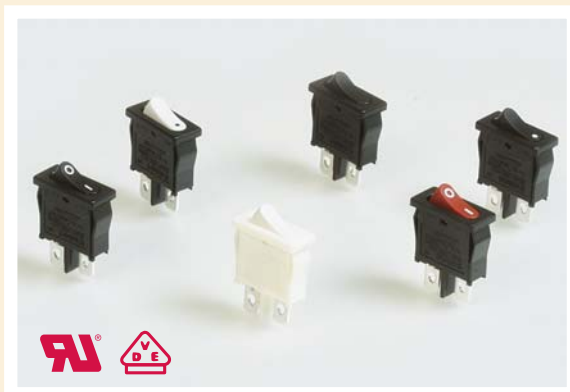


SERIES R6 SWITCHES

ROCKER SWITCHES



E-SWITCH®



SPECIFICATIONS

Contact Rating:	10A@125 VAC, 6A@250 VAC (UL, CUL) 4(1)A @250 VAC (D, S, N, Fi, VDE)
Life Expectancy (Mechanical):	50,000 cycles
Life Expectancy (Electrical):	10,000 cycles
Contact Resistance:	<20 mΩ (Initial)
Insulation Resistance:	>1,000MΩ @ 500V DC
Dielectric Strength:	>1,500V AC 1 minute (Initial)
Operating Temp:	-20°C to 55°C

MATERIALS

Body:	Nylon 6/6 (UL94 V-2)
Rocker:	Nylon 6/6 (UL94 V-2)
Contact Surface:	Coin Silver
Terminal:	Silver plated copper alloy

FEATURES & BENEFITS

- ▶ Slim-line package design

APPLICATIONS/MARKETS

- ▶ Audio/Visual
- ▶ Consumer Electronics
- ▶ Test/Instrumentation

HOW TO ORDER

SERIES	CIRCUIT	HOUSING COLOR	ACTUATOR COLOR	MARKING	TERMINATION
R6	See Below	BLK = Black WHT = White GRY = Grey	BLK = Black WHT = White RED = Red GRY = Grey	A E F	F = Faston
CIRCUIT CODE: A = SPST On-Off B = SPST (On)-Off					

Example Ordering Number

R6-A-BLK-BLK-E-F

Specifications subject to change without notice.

TACT SWITCHES

NAVIGATION SWITCHES

PUSHBUTTON SWITCHES

TOGGLE SWITCHES

ROCKER SWITCHES

SLIDE SWITCHES

SNAP-ACTION SWITCHES

DIP SWITCHES

KEYLOCK SWITCHES

ROTARY SWITCHES

DETECTOR SWITCHES

CAP OPTIONS



SERIES R6 SWITCHES

ROCKER SWITCHES

TACT SWITCHES

NAVIGATION SWITCHES

PUSHBUTTON SWITCHES

TOGGLE SWITCHES

ROCKER SWITCHES

SLIDE SWITCHES

SNAP-ACTION SWITCHES

DIP SWITCHES

KEYLOCK SWITCHES

ROTARY SWITCHES

DETECTOR SWITCHES

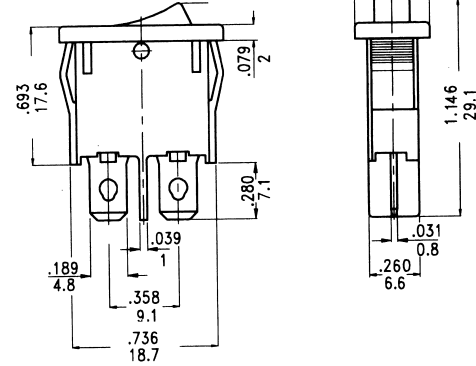
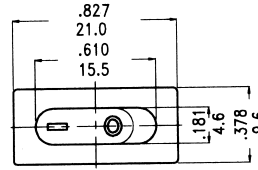
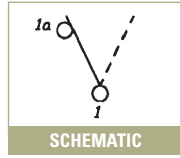
CAP OPTIONS

SPST



Circuit Code	POS 1	POS 2
A	ON	OFF
B	(ON)	OFF
Term. Comm.	1-1a	OPEN

() = Momentary

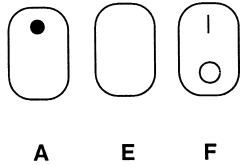


Panel Cut Out

Panel Thickness	X mm (inch)
.75 - 1.25 (.030)-(.049)	19.2±.1 (.756±.004)
1.25 - 2.00 (.049)-(.079)	19.25±.1 (.758 ±.004)
2.00 - 3.00 (.079)-(.118)	19.3±.1 (.760±.004)

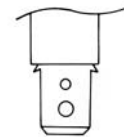
PANEL MOUNTING

MARKING OPTIONS



TERMINATION OPTIONS

F FASTON



0.81 (.032) THK terminals designed for Quick Connect connectors available from AMP Industries, Harrisburg, PA 17105. (Or equivalent).