

# Spare parts catalogue

ebm-papst Benelux

Version 2016



## ebmpapst

### ebm-papst Benelux B.V.

Polbeemd 7  
NL-5741 TP Beek en Donk  
Postbus 140,  
NL-5740 AC Beek en Donk

T: +31 (0)492 50 29 00  
F: +31 (0)492 50 29 50  
E: [verkoop@nl.ebmpapst.com](mailto:verkoop@nl.ebmpapst.com)  
W: [www.ebmpapst.nl](http://www.ebmpapst.nl)

### Sales Belgium - Luxemburg

T: +32 (0)16 39 62 00  
F: +32 (0)16 39 62 20  
E: [info@be.ebmpapst.com](mailto:info@be.ebmpapst.com)  
W: [www.ebmpapst.be](http://www.ebmpapst.be)



The engineer's choice

Type	Direction of Airflow	VAC	m3/h	Page
<b>AC axial fan</b>				
A2S130AA0301	V	230	340	8
A2D200AA0201	V	230/400	830	10
A2D200AA0202	A	230/400	830	12
A2E200AF0201	V	230	740	14
A2E200AF0202	A	230	740	16
W2E200CF0201	V	230	740	18
W2E200CF0202	A	230	740	20
A2D250AA0201	V	230/400	1685	22
A2D250AA0202	A	230/400	1685	24
A2E250AE6501	V	230	1610	26
A2E250AE6502	A	230	1610	28
W2E250CE6502	A	230	1610	30
A4S250AA0201	V	230	870	32
A4S250AA0202	A	230	870	34
W4S250CA0201	V	230	870	36
W4S250CA0202	A	230	870	38
A2D300AD0201	V	230/400	2760	40
A2D300AD0202	A	230/400	2760	42
A2E300AC4701	V	230	2440	44
A2E300AC4702	A	230	2440	46
A4E300AA0102	A	230	1700	48
S4E300AS7230	V	230	1690	50
S4E300AS7231	A	230	1690	52
S4E350AN0230	V	230	3305	54
S4E350AN0231	A	230	3305	56
S4E400AP0203	V	230	4235	58
S4E400AP0204	A	230	4235	60
S4E450AP0101	V	230	5705	62
<b>EC axial fan</b>		<b>VAC</b>	<b>m3/h</b>	
W1G200EC8725	V	230	460	64
S3G300AK1332	V	230	2250	66
S3G350AN0132	V	230	3700	68
S3G400LC2251	V	230	5600	70
S3G450LC2851	V	230	6500	72
<b>AC centrifugal blower</b>		<b>VAC</b>	<b>m3/h</b>	
G2E085AA0101		230	80	74
G2E108AA0101		230	160	76
G2E120AR7701		230	255	78
G2E140AE7701		230	370	80
R2E140AE7705		230	370	82
G2E140AI2801		230	485	84
G2E160AY5091		230	600	86
R2E160AY4701		230	600	88
G2E180EH0301		230	760	90
G4E180GS1101		230	1030	92
D2E097BK8002		230	400	94
D2E097CB0102		230	180	96
D2E133AM4701		230	685	98
D2E133AM4723		230	685	100
D2E133DM4701		230	800	102
D4E133AH0155		230	510	104
D2E146AP4722		230	970	106
D2E146HS9701		230	725	108
D2E146HT6702		230	1060	110
D4E180CA0226		230	2110	112

Type	VAC	m3/h	Page		
D4E200CA0202	230	2380	114		
D4E225CC0121	230	2650	116		
D4E240BA0101	230	3490	118		
R2S175AB5601	230	440	120		
R2E180AS7705	230	550	122		
R2E190RA2605	230	540	124		
R2E220AA4005	230	860	126		
R2E225AT5105	230	850	128		
R2E225BD9209	230	1200	130		
R2E280AE5205	230	2100	132		
<b>AC hotair blowers</b>					
R2S150AA0829	230	190	134		
R2E180AH0506	230	450	136		
R2D225AG0210	400	1260	138		
<b>EC centrifugal blower</b>					
<b>VAC</b>					
<b>m3/h</b>					
D3G133BF0302	230	890	140		
D3G146LV1301	230	1140	142		
D3G146HQ1334	230	1080	144		
K3G190RC0503	230	740	146		
K3G190RD4503	230	970	148		
K3G250RE0707	230	1430	150		
K3G250AT3973	230	2780	152		
<b>AC compact fans</b>					
<b>Size</b>		<b>VAC</b>	<b>m3/h</b>	<b>Artikelnummer</b>	
8880 N	80x80x38	230	30	9244014343	154
8550 N	80x80x38	230	50	9274014208	156
8556 N VAR.696	80x80x38	230	50	9244014696	158
8526 VWR VAR.686	80x80x38	224	50	9244014686	160
3956	92x92x25	230	47	9282708100	162
3656	92x92x38	230	75	9244014700	164
9956 L	119x119x25	230	84	9282708003	166
9956	119x119x25	230	117	9282708001	168
4850 N	119x119x38	230	100	9274014111	170
4550 N	119x119x38	230	117	9274014115	172
4650 N	119x119x38	230	160	9274014351	174
4656 N	119x119x38	230	160	9274014139	176
4856 Z VAR.857	119x119x38	230	160	9244014857	178
4586 Z	119x119x38	230	115	9244014840	180
4650 ZW	119x119x38	230	160	9244014805	182
4656 Z	119x119x38	230	160	9274014800	184
4656 ZW	119x119x38	230	160	9274014804	186
4656 TA	108øx37	230	125	9244014890	188
4656 TZ	108øx37	230	125	9244014896	190
4606 N	119x119x38	115	160	9274014147	192
ACi4420 HH	119x119x38	195-265	175	9203509001	194
ACi4420 HHU	119x119x38	195-265	175	9203509007	196
5958	127x127x38	230	180	9283118300	198
5656 S	135x135x38	230	180	9245012001	200
7450 ES	150øx55	230	380	9275220001	202
W2S130AA0301	150øx55	230	320		204
W2E142BB0101	150x172x38	230	235		206
W2E143AB0901	172øx51	230	420		208
W2E200HK3801	225x225x80	230	880		210
W2E250HL0619	280x280x80	230	1865		212

<b>Type</b>					<b>Page</b>
<b>DC Compact fans</b>	<b>Size</b>	<b>VDC</b>	<b>m3/h</b>	<b>Artikelnummer</b>	
414 F	40x40x10	24	8	9291705005	214
412	40x40x20	12	10	9291708001	216
414	40x40x20	24	40	9291708002	218
614 F	60x60x15	24	29	9291708612	220
612 NGMLE	60x60x25	12	10	9292206172	222
624 N	60x60x25	24	40	9292207008	224
614 NH	60x60x25	24	46	9272206072	226
634 NU	60x60x25	24	40	9292308004	228
8412 N	80x80x25	12	69	9292506125	230
8414 N	80x80x25	24	69	9292506126	232
8414 NMU	80x80x25	24	58	9292506475	234
8314	80x80x32	24	54	9294303004	236
3412 N	92x92x25	12	84	9292506324	238
3414 NHH	92x92x25	24	102	9292506320	240
3314 NHHU	92x92x32	24	107	9293510112	242
4412 FGML	119x119x25	12	114	9293505434	244
4414 F	119x119x25	24	170	9293505405	246
4314	119x119x32	24	170	9294305013	248
4314 U	119x119x32	24	170	9294305398	250
4414 ML	119x119x38	24	168	9293510560	252
4414 HH	119x119x38	24	285	9293510524	254
4184 NX	119x119x38	24	180	9294310103	256
7114 N	150x38	24	360	9295410121	258
DV6224	172x51	24	540	9295414502	260
<b>Tangential fans</b>		<b>VAC</b>	<b>m3/h</b>		
QLZ06/1800-2524		230	150		262
QLZ06/0018-2524		230	150		264
<b>Q and IQ motors</b>		<b>VAC</b>	<b>W</b>		<b>266</b>
M4Q045BD0175		230	5/29		
M4Q045CA0175		230	7/31		
M4Q045CA0375		230	10/36		
M4Q045CF0175		230	16/60		
M4Q045DA0175		230	18/70		
M4Q045DA0575		230	23/86		
M4Q045EA0175		230	25/90		
M4Q045EF0175		230	34/110		
IQ3612 / 55330.01083		230	15		
IQ3620 / 55330.01150		230	20		
<b>Motors</b>		<b>VAC</b>	<b>Cable length</b>		<b>268</b>
M4S068BF0819		230	600		
M4S068BF0814		230	1000		
<b>Capacitors</b>		<b>uF</b>			<b>269</b>
280F00031		1			
280F00032		1.5			
280F00033		2			
280F00035		3			
280F00036		4			
280F00037		5			
280F00038		6			
280F00039		8			
280F00040		10			
280F00041		12			
280F00042		14			
280F00043		16			
280F00044		20			
280F00045		25			
280F00046		35			

<b>Type</b>				<b>Page</b>
<b>Inlet ring</b>	<b>Fan size</b>			<b>270</b>
09588-2-4013	160			
09576-2-4013	140/146/175/190			
09597-2-4013	180			
09609-2-4013	220			
96358-2-4013	225			
96360-2-4013	270/280			
<b>Guard grilles</b>	<b>Fan size</b>			<b>271</b>
09494-2-4039	120			
09492-2-4039	140/146			
78128-2-4039	200			
18656-2-4039	200			
09518-2-4039	250			
09418-2-4039	250			
09414-2-4039	250			
		<b>Compact fan series</b>	<b>Artikelnummer</b>	<b>272</b>
LZ29-1		400	9920029001	
LZ28-1		600	9920028001	
LZ23-1		3000	9920023001	
LZ32-4		8000	9920032004	
LZ30-4		9000/4000	9920030004	
LZ25		5100/5600	9920025000	
LZ35		5200	9920035000	
LZ36		7000	9920036000	
LZ37		6300	9920037000	
<b>Fan filter guard</b>				<b>273</b>
LZ60	119x119	groffilter	9920060000	
FF119	119x119	Filterunit	9920340004	
<b>Connection cables compact fan</b>		<b>Cable length</b>		<b>274</b>
LZ120		610	9920120000	
LZ120-4		2000	9920120004	
LZ126		1000	9920126000	
<b>Transformer Speed controllers</b>	<b>Productcode</b>	<b>VAC</b>	<b>A</b>	<b>275</b>
TMV2-3	280F00086	230	3.0	
TMV2-7	280F00088	230	7.0	
<b>Speed controller</b>	<b>Productcode</b>	<b>Mouting</b>	<b>A</b>	<b>276</b>
2297-AG-110	280F00023	Surface	2.5	<b>276</b>
Potmeterkastje 10K	280A00050			<b>277</b>
<b>Connection cables</b>	<b>Type</b>			<b>278</b>
Connection leads EC / Cables	D3G146LV1301			

## General information

Images used in this catalogue are an indication of the products described and may not be photographs of the actual product.

The technical drawings (with dimensions) do match the described product of that page.

The prices printed were current on the day of production of this catalogue. We reserve the right to alter prices at any time without prior notice. The price on our invoice is final.

All orders are shipped ex works.

Our general terms and conditions apply to all our price quotes, orders, etc.

All rights reserved. Nothing from this publication (edition) may be multiplied, saved in an automatic data file, made public, in any shape or way, either electronic, mechanical by photocopy, recording or any other way, without prior written approval from ebm-papst Benelux BV.

## Terms of delivery

- Delivery:** DAP Beek en Donk.  
To all our quotations and transactions the general conditions of sales and delivery for the metal- and electro technical industry FME CWM are applicable, as filed with the county-court at The Hague on 19th, October 1998 under number 119/1998.  
At request we will sent you a copy.
- Transport:** On the basis of calculation before shipment of weight and size.
- Handling costs:** an extra handling fee of € 30,00 to every order with a total value of less than € 250,00 and € 15,00 to every order with a total value of € 250,00 to € 500,00 (net, excl. VAT).
- Payment:** Payable in advance (invoice will be faxed) / cash on delivery (extra costs € 11,50). When payable in advance goods will be ordered or sent after receipt of payment.

**Contact information****ebm-papst Benelux**

Sales office  
The Netherlands

Polbeemd 7  
NL-5741 TP Beek en Donk  
P.O. box 140  
NL-5740 AC Beek en Donk

T: +31 (0)492 502 900  
F: +31 (0)492 502 950  
E: [verkoop@nl.ebmpapst.com](mailto:verkoop@nl.ebmpapst.com)  
W: [www.ebmpapst.nl](http://www.ebmpapst.nl)

Sales  
Belgium - Luxemburg

T: +32 (0)16 396 200  
F: +32 (0)16 396 220  
E: [info@be.ebmpapst.com](mailto:info@be.ebmpapst.com)  
W: [www.ebmpapst.be](http://www.ebmpapst.be)



Material :	Blades: Rotor open, coated in black
Direction of rotation	Counter-clockwise, seen on rotor
Number of blades:	7
Protection:	IP20
Isolation:	B
Mounting position:	Any
Mode of operation:	Continuos S1
Bearings	Ball bearing
Motorprotection	Thermal overload protector (TOP) wired internally
Cable	Variable, 380mm
Norm	EN 60335-1

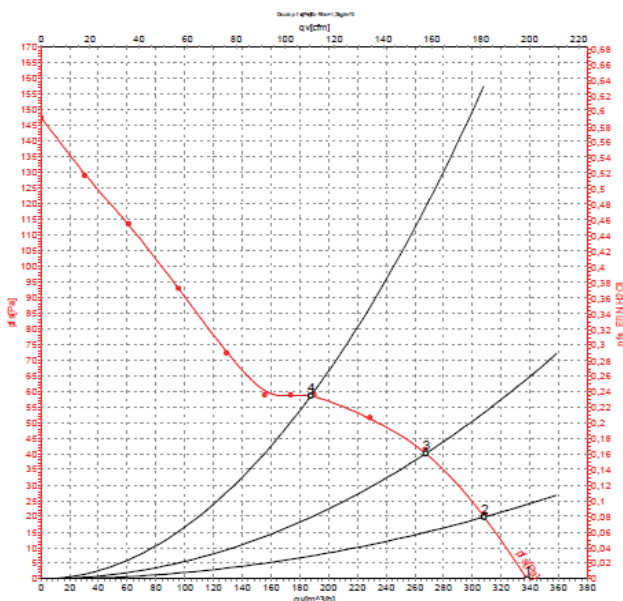
Nominal data	Motor	Voltage	Frequency	Air flow	Speed	Power consumption	Current draw	Capacitor capacity	Sound pressure level	Min. back pressure	Perm. amb. temp.	Weight
Type	Motor	VAC	Hz	m3/h	rpm	W	A	uF/V	dB (A)	Pa	C	kg
A2S130AA0301	M2S052-CA	230	50	340	2800	45	0.31	-	-		-25..50	0.9

Subject to modification

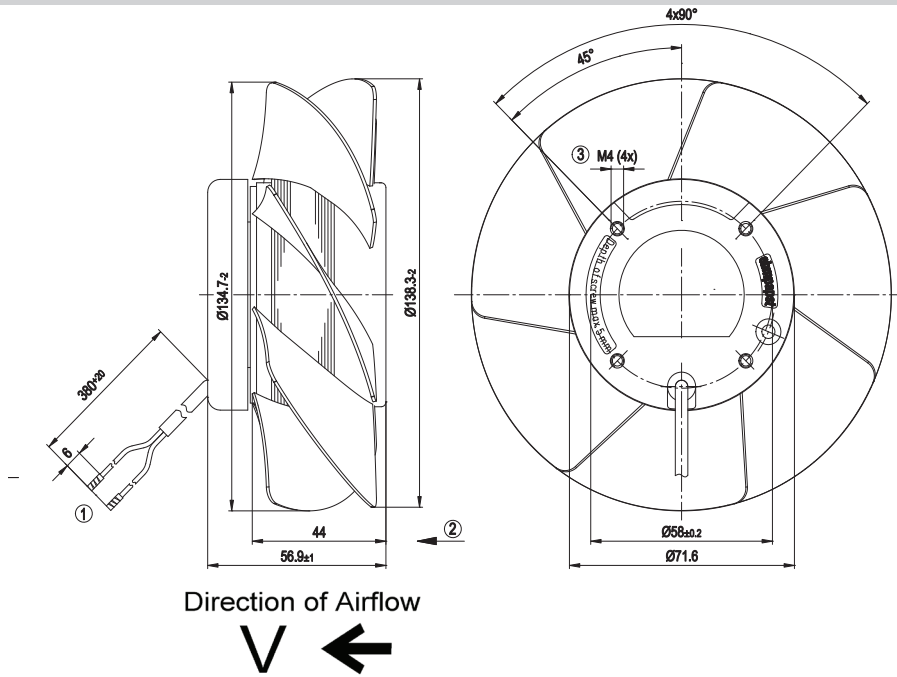
Pricing	Quantities			Accessories
	1	5-9	10>	Grill
Product Code	A2S130AA0301			
	€ 74,00	€ 64,40	€ 54,80	

All prices are in euro, excluding VAT ( BTW ) Orders are shipped according to incoterms : DAP, transport costs on the basis of calculation before shipment of weight and size.  
 an extra handling fee of € 30,00 to every order with a total value of less than € 250,00 and € 15,00 to every order with a total value of € 250,00 to € 500,00 (net, excl. VAT).

### Pressure over air flow rated Voltage



Specific drawing



Connection illustration



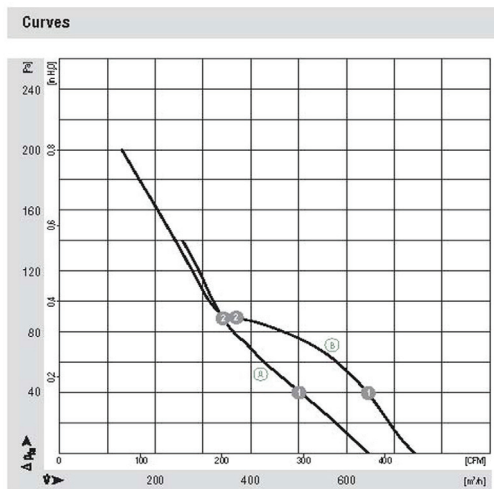
Material :	Rotor coated Black Blades coated black steelplate
Direction of rotation	Left CCW seen on rotor
Number of blades:	5
Protection:	IP44
Isolation:	B
Condensate discharges	Rotor side
Mounting position:	Free, Rotor on top on request
Mode of operation:	Continuous S1
Bearings	Maintenance free Ball Bearings
Motorprotection	Integrated temperatur switches
Cable	Axial out of stator lengthe : 450 mm
Norm	EN 60335-1

Nominal data	Motor	Voltage	Frequency	Air flow	Speed	Power consumption	Current draw	Capacitor capacity	Sound pressure level	Min. back pressure	Perm. amb. temp.	Weight
Type		VAC	Hz	m3/h	rpm	W	A	uF/V	dB ( A )	Pa	C	kg
A2D200AA0201	M2D068CF	230/400	50	830	2800	53	0,26/0,15	-	67	-	-25..75	1,7
Subject to modification												

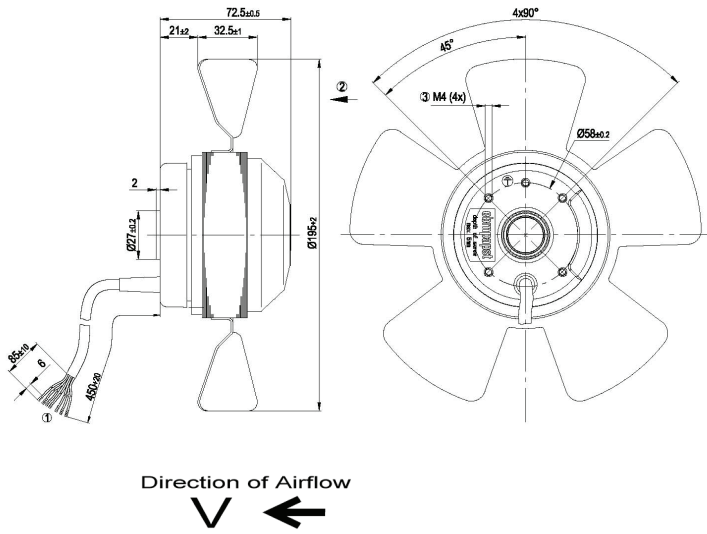
Product Code	Quantities		
	1	5-9	10>
A2D200AA0201	€ 106,90	€ 92,90	€ 83,60

All prices are in euro, excluding VAT ( BTW ) Orders are shipped according to incoterms : DAP, transport costs on the basis of calculation before shipment of weight and size.  
 an extra handling fee of € 30,00 to every order with a total value of less than € 250,00 and € 15,00 to every order with a total value of € 250,00 to € 500,00 (net, excl. VAT).

### Pressure over air flow at 50Hz

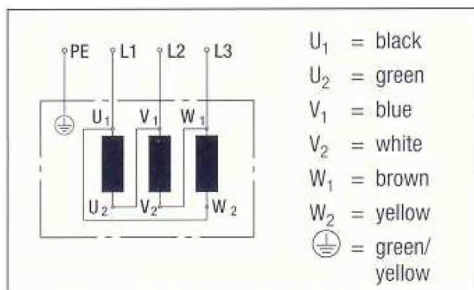


Drawing

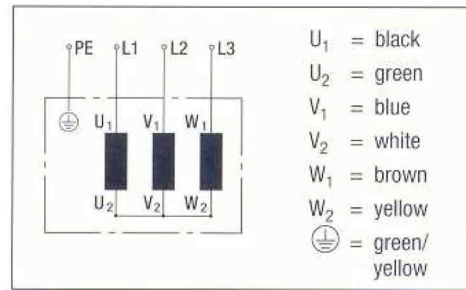


Connection illustration

Delta connection (3 phase 230VAC power system) without TOP



Star connection (3 phase 400VAC power system) without TOP





Material : Rotor coated Black  
Blades coated black steelplate

Direction of rotation Right CW seen on rotor

Number of blades: 5

Protection: IP44

Isolation: B

Condensate discharges Rotor side

Mounting position: Free, Rotor on top on request

Mode of operation: Continuous S1

Bearings Maintenance free Ball Bearings

Motorprotection Integrated temperatur switches

Cable Axial out of stator length : 450 mm

Norm EN 60335-1

Nominal data		Voltage	Frequency	Air flow	Speed	Power consumption	Current draw	Capacitor capacity	Sound pressure level	Min. back pressure	Perm. amb. temp.	Weight
Type	Motor	VAC	Hz	m3/h	rpm	W	A	uF/V	dB ( A )	Pa	C	kg
A2D200AA0202	M2D068CF	230/400	50	830	2800	53	0,26/0,15	-	67	-	-25..75	1,7

Subject to modification

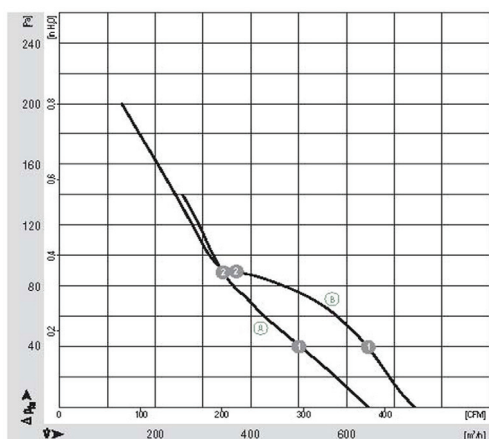
### Pricing

Product Code	Quantities		
	1	5-9	10>
A2D200AA0202	€ 107,40	€ 93,50	€ 84,00

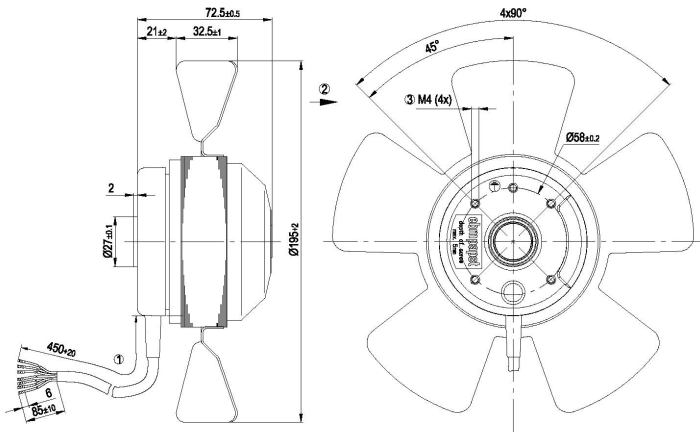
All prices are in euro, excluding VAT ( BTW ) Orders are shipped according to incoterms : DAP, transport costs on the basis of calculation before shipment of weight and size.  
an extra handling fee of € 30,00 to every order with a total value of less than € 250,00 and € 15,00 to every order with a total value of € 250,00 to € 500,00 (net, excl. VAT).

### Pressure over air flow at 50Hz

#### Curves



Drawing

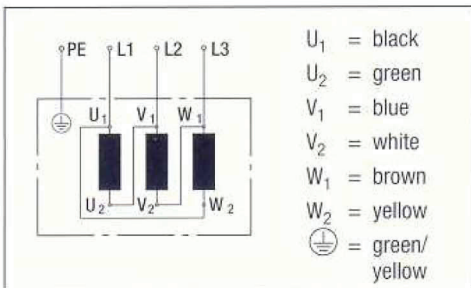


Direction of airflow

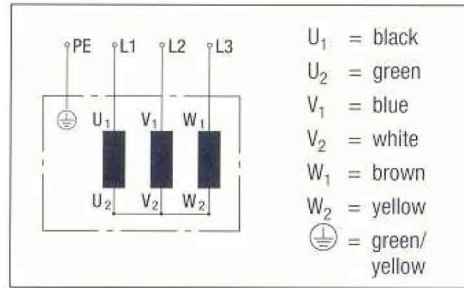


Connection illustration

Delta connection (3 phase 230VAC power system) without TOP



Star connection (3 phase 400VAC power system) without TOP





Material : Rotor coated Black  
Blades coated black steelplate

Direction of rotation Left CCW seen on rotor

Number of blades: 5

Protection: IP44

Isolation: B

Condensate discharges Rotor side

Mounting position: Free, Rotor on top on request

Mode of operation: Continuos S1

Bearings Maintenance free Ball Bearings

Motorprotection Integrated temperatur switches

Cable Axial out of stator lengthe : 450 mm

Norm EN 60335-1

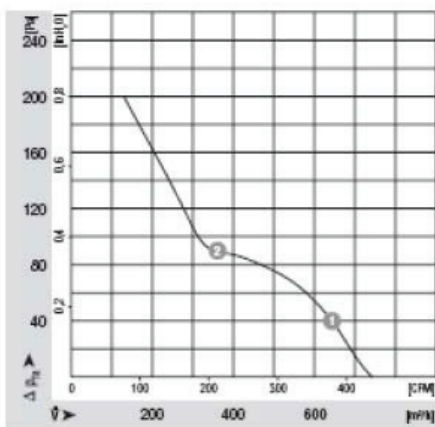
Nominal data		Voltage	Frequency	Air flow	Speed	Power consumption	Current draw	Capacitor capacity	Sound pressure level	Min. back pressure	Perm. amb. temp.	Weight
Type	Motor	VAC	Hz	m3/h	rpm	W	A	uF/V	dB ( A )	Pa	C	kg
A2E200AF0201	M2E068CA	230	50	740	2740	50	0,24	1,5/400	65	-	-25..75	1,4

Subject to modification

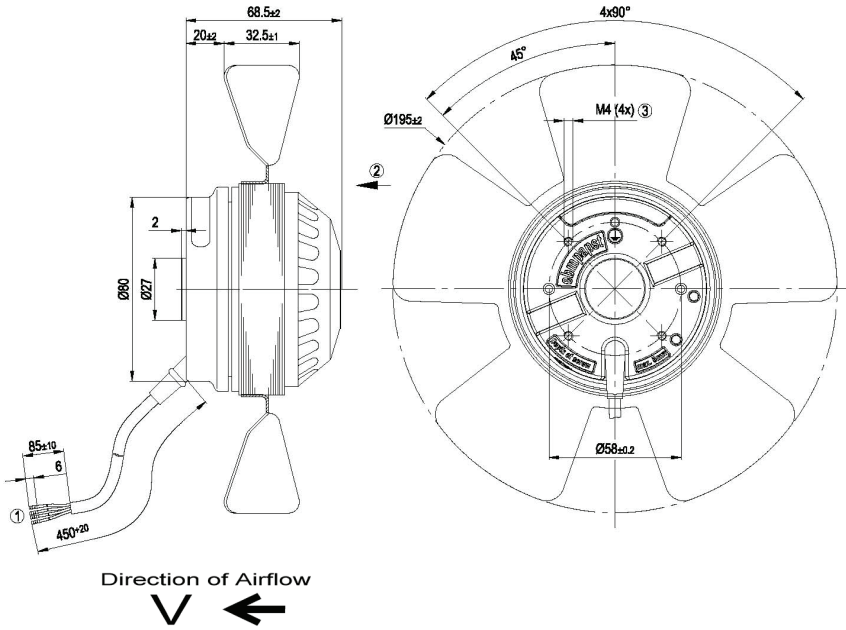
Product Code	Quantities			Accessories		
	1	5-9	10>	Capacitor	1-9	10-49
A2E200AF0201	€ 92,40	€ 80,40	€ 72,40	280F00032		

All prices are in euro, excluding VAT ( BTW ) Orders are shipped according to incoterms : DAP, transport costs on the basis of calculation before shipment of weight and size.  
an extra handling fee of € 30,00 to every order with a total value of less than € 250,00 and € 15,00 to every order with a total value of € 250,00 to € 500,00 (net, excl. VAT).

#### Pressure over air flow at 50Hz

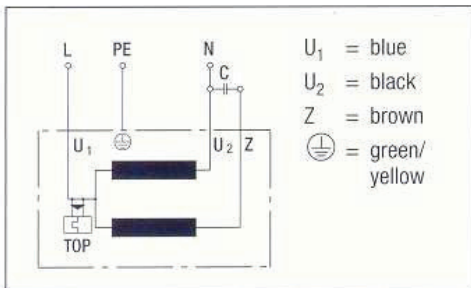


Drawing



Connection illustration

Single-phase capacitor motor with TOP wired internally





Material : Rotor coated Black  
Blades coated black steelplate

Direction of rotation Right CW seen on rotor

Number of blades: 5

Protection: IP44

Isolation: B

Condensate discharges Rotor side

Mounting position: Free, Rotor on top on request

Mode of operation: continuous S1

Bearings Maintenance free Ball Bearings

Motorprotection Integrated temperatur switches

Cable Axial out of stator lengthe : 450 mm

Norm EN 60335-1

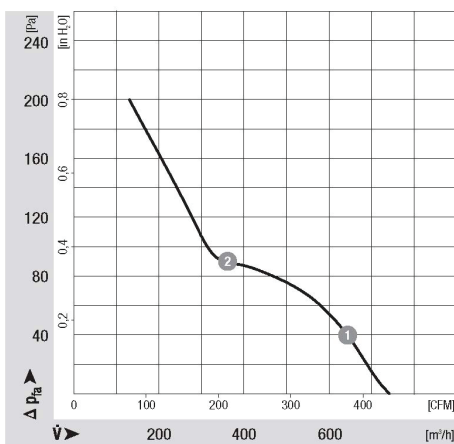
Nominal data		Voltage	Frequency	Air flow	Speed	Power consumption	Current draw	Capacitor capacity	Sound pressure level	Min. back pressure	Perm. amb. temp.	Weight
Type	Motor	VAC	Hz	m3/h	rpm	W	A	uF/V	dB ( A )	Pa	C	kg
A2E200AF0202	M2E068CA	230	50	740	2740	50	0,24	1,5/400	65	-	-25..75	1,4

Subject to modification

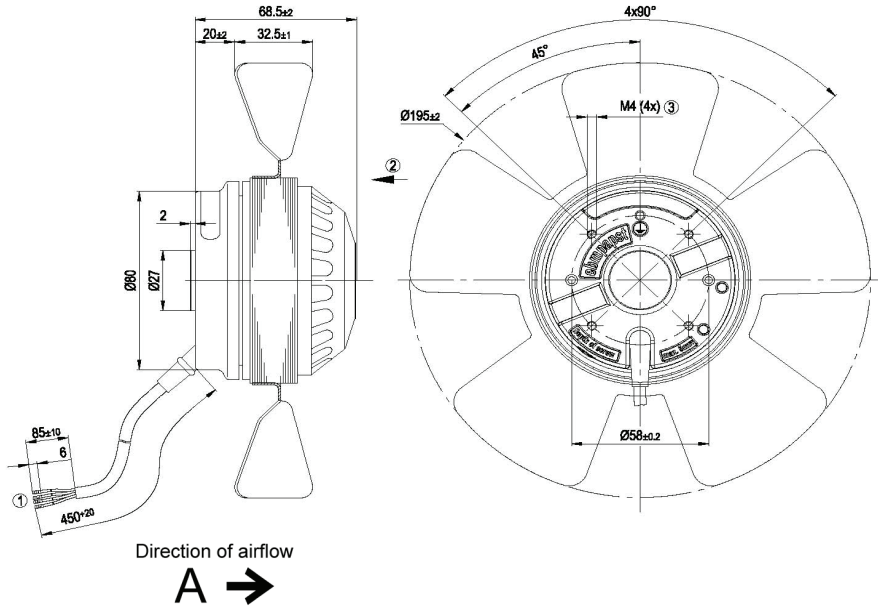
Product Code	Quantities			Accessories		
	1	5-9	10>	Capacitor	1-9	10-49
A2E200AF0202	€ 92,40	€ 80,40	€ 72,40	280F00032		

All prices are in euro, excluding VAT ( BTW ) Orders are shipped according to incoterms : DAP, transport costs on the basis of calculation before shipment of weight and size.  
an extra handling fee of € 30,00 to every order with a total value of less than € 250,00 and € 15,00 to every order with a total value of € 250,00 to € 500,00 (net, excl. VAT).

#### Pressure over air flow at 50Hz

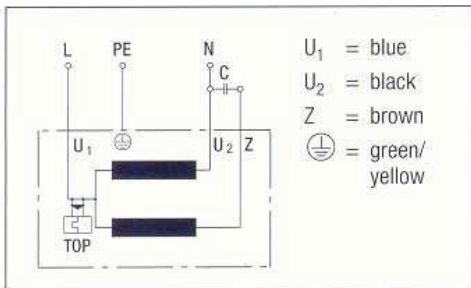


Drawing



Connection illustration

Single-phase capacitor motor with TOP wired internally





Material : Rotor coated Black  
Blades coated black steelplate

Direction of rotation Left CCW seen on rotor

Number of blades: 5

Protection: IP44

Isolation: B

Condensate discharges Rotor side

Mounting position: Free, Rotor on top on request

Mode of operation: Continuos S1

Bearings Maintenance free Ball Bearings

Motorprotection Integrated temperatur switches

Cable Axial out of stator lengthe : 450 mm

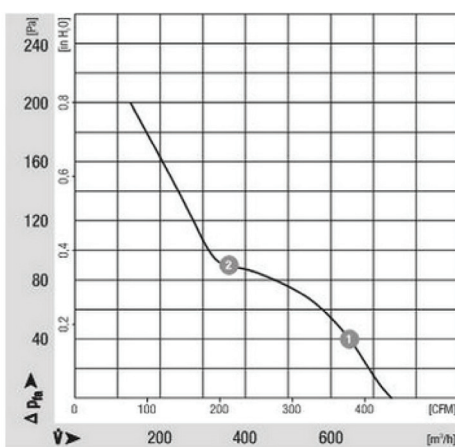
Norm EN 60335-1

Nominal data	Motor	Voltage	Frequency	Air flow	Speed	Power consumption	Current draw	Capacitor capacity	Sound pressure level	Min. back pressure	Perm. amb. temp.	Weight
Type	Motor	VAC	Hz	m3/h	rpm	W	A	uF/V	dB ( A )	Pa	C	kg
W2E200CF0201	M2E068CA	230	50	740	2740	50	0,24	1,5/400	65	-	-25..75	1,4
Subject to modification												

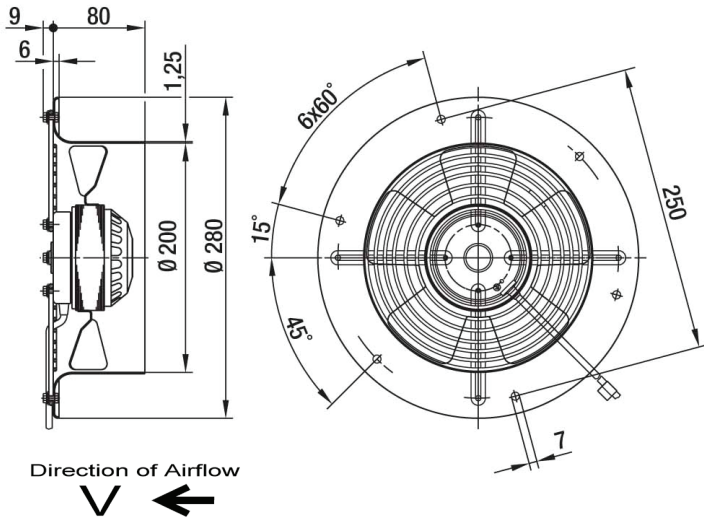
Pricing	Quantities			Accessories			
	Product Code	1	5-9	10>	Capacitor	1-9	10-49
	W2E200CF0201	€ 134,00	€ 116,50	€ 104,90	280F00032		

All prices are in euro, excluding VAT ( BTW ) Orders are shipped according to incoterms : DAP, transport costs on the basis of calculation before shipment of weight and size.  
an extra handling fee of € 30,00 to every order with a total value of less than € 250,00 and € 15,00 to every order with a total value of € 250,00 to € 500,00 (net, excl. VAT).

#### Pressure over air flow at 50Hz

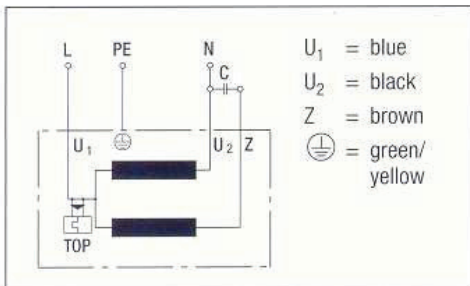


### Drawing



### Connection illustration

Single-phase capacitor motor with  
TOP wired internally





Material : Rotor coated Black  
Blades coated black steelplate

Direction of rotation Right CW seen on rotor

Number of blades: 5

Protection: IP44

Isolation: B

Condensate discharges rotor side

Mounting position: Free, Rotor on top on request

Mode of operation: Continuos S1

Bearings Maintenance free Ball Bearings

Motorprotection Integrated temperatur switches

Cable Axial out of stator lengthe : 450 mm

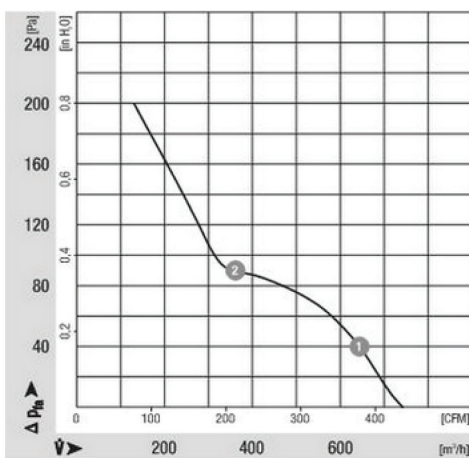
Norm EN 60335-1

Nominal data		Voltage	Frequency	Air flow	Speed	Power consumption	Current draw	Capacitor capacity	Sound pressure level	Min. back pressure	Perm. amb. temp.	Weight
Type	Motor	VAC	Hz	m3/h	rpm	W	A	uF/V	dB ( A )	Pa	C	kg
W2E200CF0202	M2E068CA	230	50	740	2740	50	0,24	1,5/400	65	-	-25..75	1,4
Subject to modification												

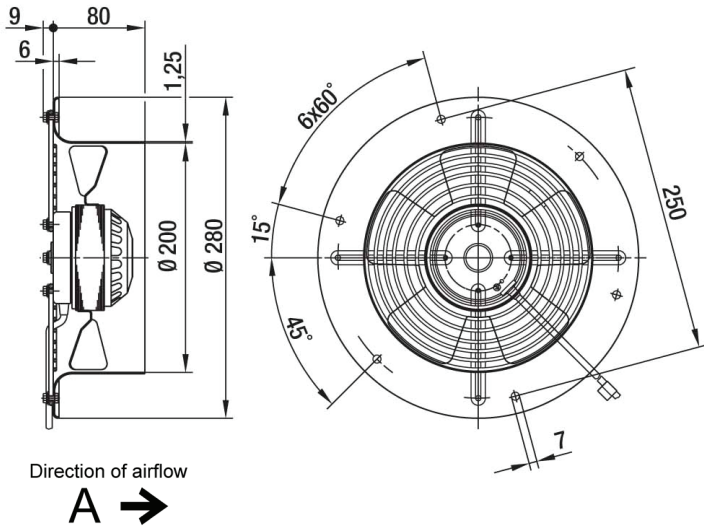
Pricing	Quantities			Accessories	
	1	5-9	10>	Capacitor	1-9 10-49
Product Code	W2E200CF0202	€ 134,00	€ 116,50	€ 104,90	280F00032

All prices are in euro, excluding VAT ( BTW ) Orders are shipped according to incoterms : DAP, transport costs on the basis of calculation before shipment of weight and size.  
an extra handling fee of € 30,00 to every order with a total value of less than € 250,00 and € 15,00 to every order with a total value of € 250,00 to € 500,00 (net, excl. VAT).

#### Pressure over air flow at 50Hz

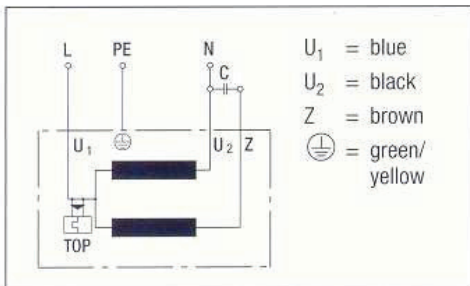


### Drawing



### Connection illustration

Single-phase capacitor motor with  
TOP wired internally





Material :	Rotor coated Black Blades coated black steelplate
Direction of rotation	Left CCW seen on rotor
Number of blades:	5
Protection:	IP44
Isolation:	B
Condensate discharges	Rotor side
Mounting position:	Free, Rotor on top on request
Mode of operation:	Continuos S1
Bearings	Maintenance free Ball Bearings
Motorprotection	Integrated temperatur switches
Cable	Axial out of stator lengthe : 450 mm
Norm	EN 60335-1

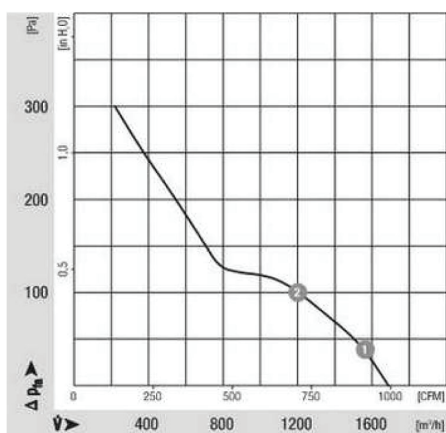
Nominal data	Motor	Voltage	Frequency	Air flow	Speed	Power consumption	Current draw	Capacitor capacity	Sound pressure level	Min. back pressure	Perm. amb. temp.	Weight
Type	Motor	VAC	Hz	m3/h	rpm	W	A	uF/V	dB ( A )	Pa	C	kg
A2D250AA0201	M2D068DF	230/400	50	1685	2650	110	0,38/0,22	-	72	-	-25..70	2,2

Subject to modification

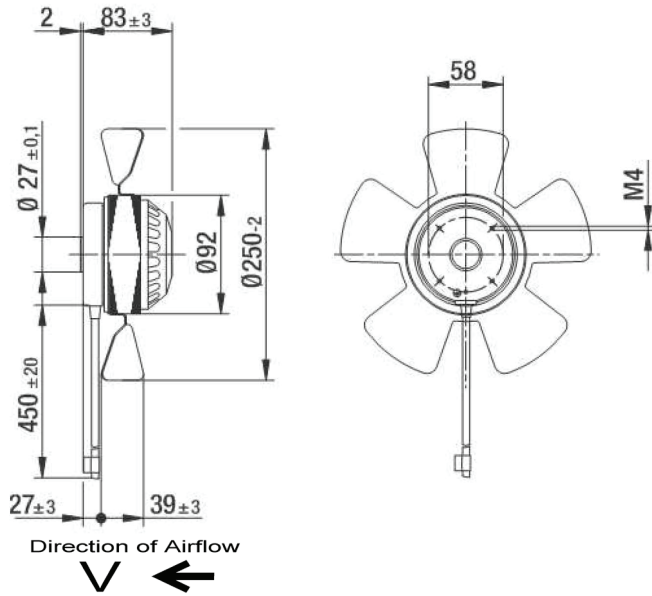
Product Code	Quantities		
	1	5-9	10>
A2D250AA0201	€ 123,00	€ 106,90	€ 96,20

All prices are in euro, excluding VAT ( BTW ) Orders are shipped according to incoterms : DAP, transport costs on the basis of calculation before shipment of weight and size.  
 an extra handling fee of € 30,00 to every order with a total value of less than € 250,00 and € 15,00 to every order with a total value of € 250,00 to € 500,00 (net, excl. VAT).

#### Pressure over air flow at 50Hz

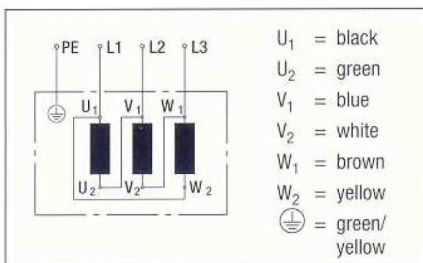


### Drawing

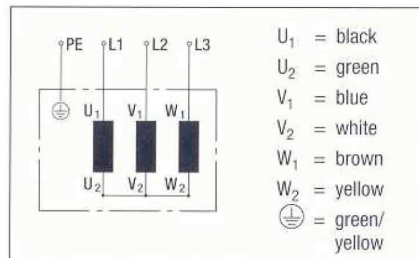


### Connection illustration

Delta connection (3 phase 230VAC power system) without TOP



Star connection (3 phase 400VAC power system) without TOP





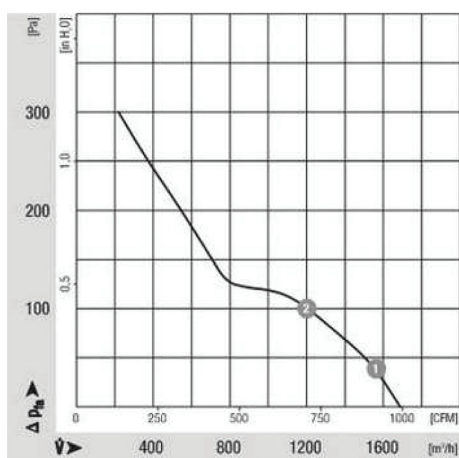
Material :	Rotor coated Black Blades coated black steelplate
Direction of rotation	Right CW seen on rotor
Number of blades:	5
Protection:	IP44
Isolation:	B
Condensate discharges	Rotor side
Mounting position:	Free, Rotor on top on request
Mode of operation:	Continuous S1
Bearings	Maintenance free Ball Bearings
Motorprotection	Integrated temperatur switches
Cable	Axial out of stator lengthe : 450 mm
Norm	EN 60335-1

Nominal data		Voltage	Frequency	Air flow	Speed	Power consumption	Current draw	Capacitor capacity	Sound pressure level	Min. back pressure	Perm. amb. temp.	Weight
Type	Motor	VAC	Hz	m3/h	rpm	W	A	uF/V	dB ( A )	Pa	C	kg
A2D250AA0202	M2D068DF	230/400	50	1685	2650	110	0,38/0,22	-	72	-	-25..70	2,2
Subject to modification												

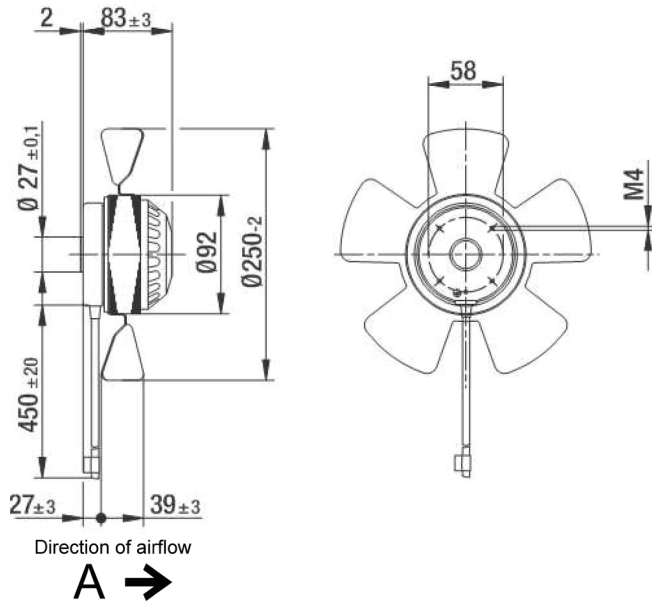
Pricing			
Product Code	Quantities		
	1	5-9	10>
A2D250AA0202	€ 123,00	€ 106,90	€ 96,20

All prices are in euro, excluding VAT ( BTW ) Orders are shipped according to incoterms : DAP, transport costs on the basis of calculation before shipment of weight and size.  
 an extra handling fee of € 30,00 to every order with a total value of less than € 250,00 and € 15,00 to every order with a total value of € 250,00 to € 500,00 (net, excl. VAT).

#### Pressure over air flow at 50Hz

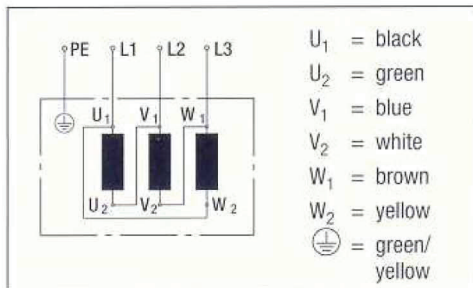


### Drawing

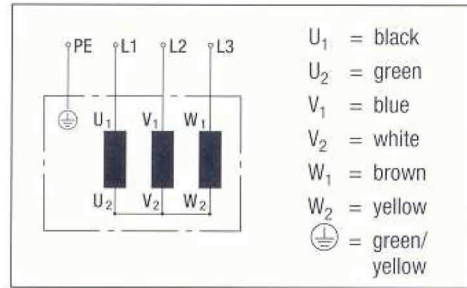


### Connection illustration

Delta connection (3 phase 230VAC power system) without TOP



Star connection (3 phase 400VAC power system) without TOP





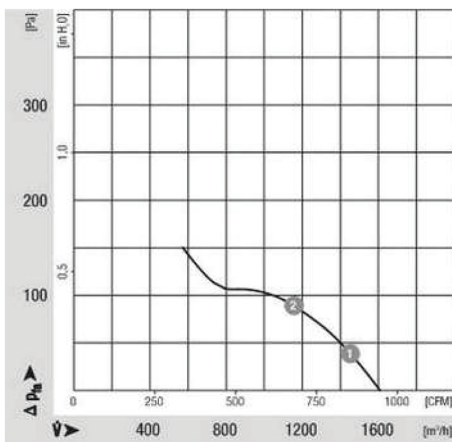
Material :	Rotor coated Black Blades coated black steelplate
Direction of rotation	Left CCW seen on rotor
Number of blades:	5
Protection:	IP44
Isolation:	B
Condensate discharges	Rotor side
Mounting position:	Free, Rotor on top on request
Mode of operation:	Continuous S1
Bearings	Maintenance free Ball Bearings
Motorprotection	Integrated temperatur switches
Cable	Axial out of stator lengthe : 450 mm
Norm	EN 60335-1

Nominal data		Voltage	Frequency	Air flow	Speed	Power consumption	Current draw	Capacitor capacity	Sound pressure level	Min. back pressure	Perm. amb. temp.	Weight
Type	Motor	VAC	Hz	m3/h	rpm	W	A	uF/V	dB ( A )	Pa	C	kg
A2E250AE6501	M2E068DF	230	50	1610	2550	115	0,51	4/400	72	-	-25..55	2,2
Subject to modification												

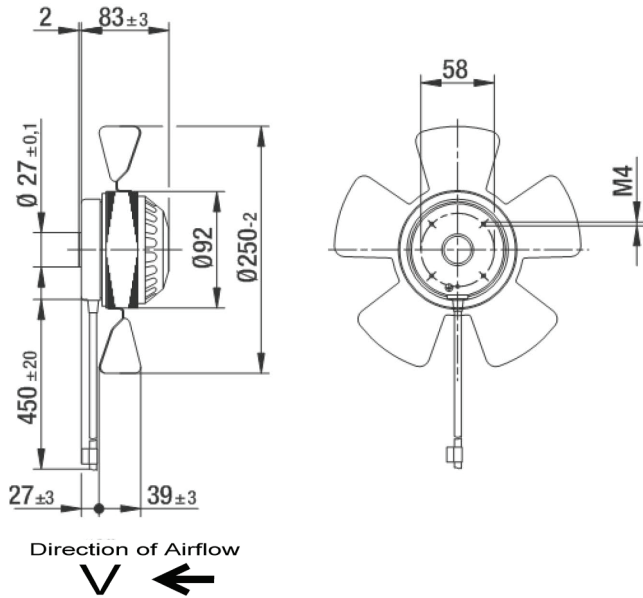
Pricing	Quantities			Accessories		
	1	5-9	10>	Capacitor	1-9	10-49
A2E250AE6501	€ 109,20	€ 95,00	€ 85,50	280F0036		

All prices are in euro, excluding VAT ( BTW ) Orders are shipped according to incoterms : DAP, transport costs on the basis of calculation before shipment of weight and size.  
 an extra handling fee of € 30,00 to every order with a total value of less than € 250,00 and € 15,00 to every order with a total value of € 250,00 to € 500,00 (net, excl. VAT).

#### Pressure over air flow at 50Hz

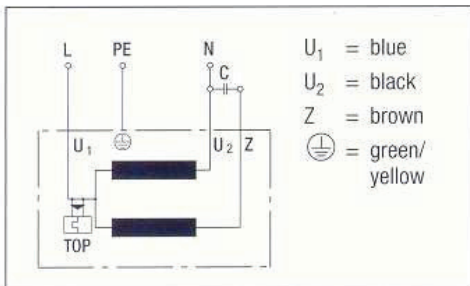


### Drawing



### Connection illustration

Single-phase capacitor motor with TOP wired internally





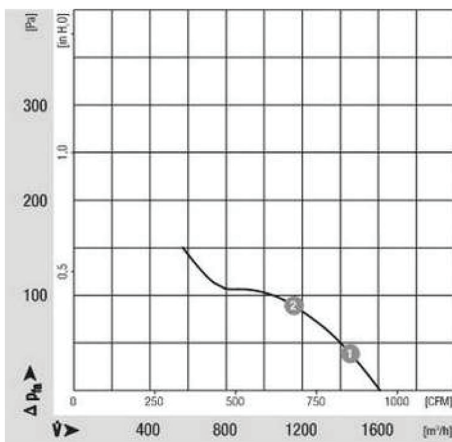
Material :	Rotor coated Black Blades coated black steelplate
Direction of rotation	Right CW seen on rotor
Number of blades:	5
Protection:	IP44
Isolation:	B
Condensate discharges	Rotor side
Mounting position:	Free, Rotor on top on request
Mode of operation:	Continuos S1
Bearings	Maintenance free Ball Bearings
Motorprotection	Integrated temperatur switches
Cable	Axial out of stator lengthe : 450 mm
Norm	EN 60335-1

Nominal data		Voltage	Frequency	Air flow	Speed	Power consumption	Current draw	Capacitor capacity	Sound pressure level	Min. back pressure	Perm. amb. temp.	Weight
Type	Motor	VAC	Hz	m3/h	rpm	W	A	uF/V	dB ( A )	Pa	C	kg
A2E250AE6502	M2E068DF	230	50	1610	2550	115	0,51	4/400	72	-	-25..55	2,2
Subject to modification												

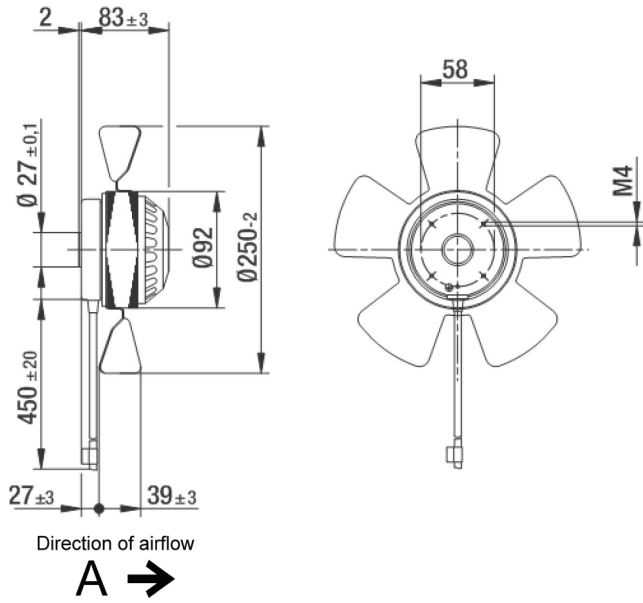
Pricing	Quantities			Accessories	
	1	5-9	10>	Capacitor	1-9 10-49
A2E250AE6502	€ 109,20	€ 95,00	€ 85,50	280F00036	

All prices are in euro, excluding VAT ( BTW ) Orders are shipped according to incoterms : DAP, transport costs on the basis of calculation before shipment of weight and size.  
 an extra handling fee of € 30,00 to every order with a total value of less than € 250,00 and € 15,00 to every order with a total value of € 250,00 to € 500,00 (net, excl. VAT).

#### Pressure over air flow at 50Hz

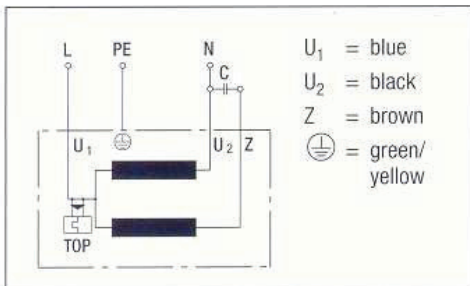


### Drawing



### Connection illustration

Single-phase capacitor motor with TOP wired internally





Material : Rotor coated Black  
Blades coated black steelplate

Direction of rotation Right CW seen on rotor

Number of blades: 5

Protection: IP44

Isolation: B

Condensate discharges Rotor side

Mounting position: Free, Rotor on top on request

Mode of operation: Continuous S1

Bearings Maintenance free Ball Bearings

Motorprotection Integrated temperatur switches

Cable Axial out of stator lengthe : 450 mm

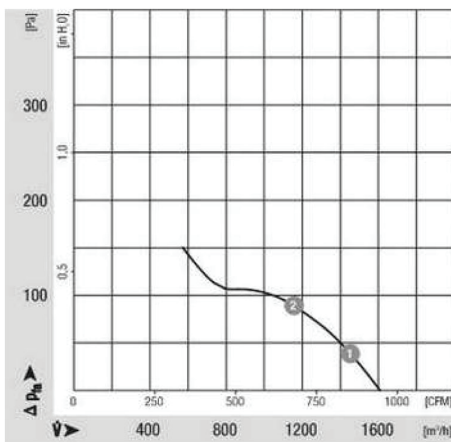
Norm EN 60335-1

Nominal data		Voltage	Frequency	Air flow	Speed	Power consumption	Current draw	Capacitor capacity	Sound pressure level	Min. back pressure	Perm. amb. temp.	Weight
Type	Motor	VAC	Hz	m3/h	rpm	W	A	uF/V	dB ( A )	Pa	C	kg
W2E250CE6502	M2E068DF	230	50	1610	2550	115	0,51	4/400	72	-	-25..55	2,2
Subject to modification												

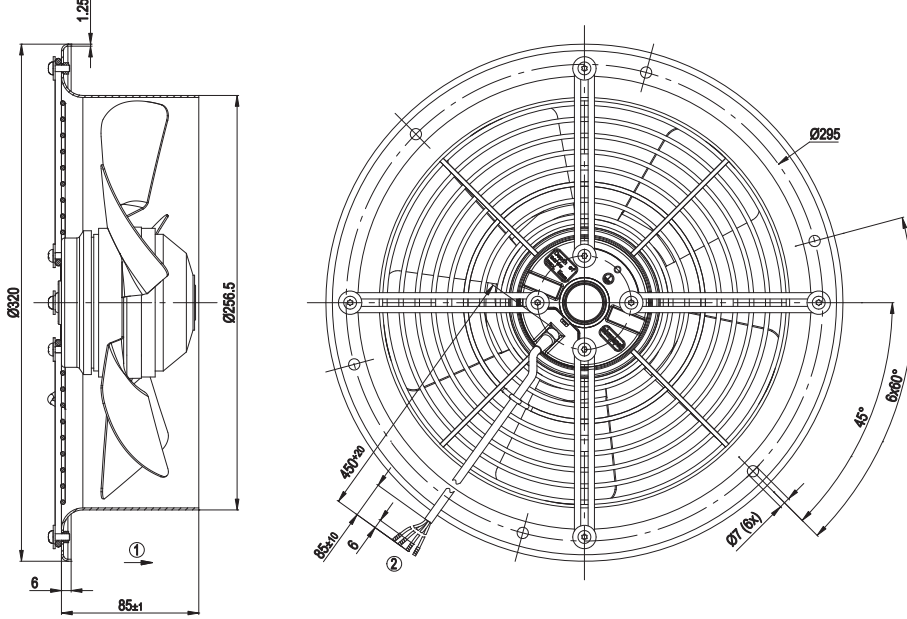
Pricing	Quantities			Accessories		
	1	5-9	10>	Capacitor	1-9	10-49
Product Code	W2E250CE6502	€ 150,80	€ 131,10	€ 118,00	280F00036	

All prices are in euro, excluding VAT ( BTW ) Orders are shipped according to incoterms : DAP, transport costs on the basis of calculation before shipment of weight and size.  
an extra handling fee of € 30,00 to every order with a total value of less than € 250,00 and € 15,00 to every order with a total value of € 250,00 to € 500,00 (net, excl. VAT).

#### Pressure over air flow at 50Hz



### Drawing

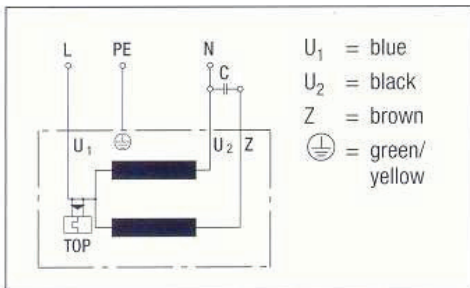


Direction of airflow



### Connection illustration

Single-phase capacitor motor with  
TOP wired internally





Material : Rotor coated Black  
Blades coated black steelplate

Direction of rotation Right CW seen on rotor

Number of blades: 5

Protection: IP44

Isolation: B

Condensate discharges Rotor side

Mounting position: Free, Rotor on top on request

Mode of operation: Continuos S1

Bearings Maintenance free Ball Bearings

Motorprotection Integrated temperatur switches

Cable Axial out of stator lengthe : 450 mm

Norm EN 60335-1

Nominal data		Voltage	Frequency	Air flow	Speed	Power consumption	Current draw	Capacitor capacity	Sound pressure level	Min. back pressure	Perm. amb. temp.	Weight
Type	Motor	VAC	Hz	m3/h	rpm	W	A	uF/V	dB ( A )	Pa	C	kg
A4S250AA0201	M4S068CF	230	50	870	1400	72	0,53	-	58	-	-25..40	1,7

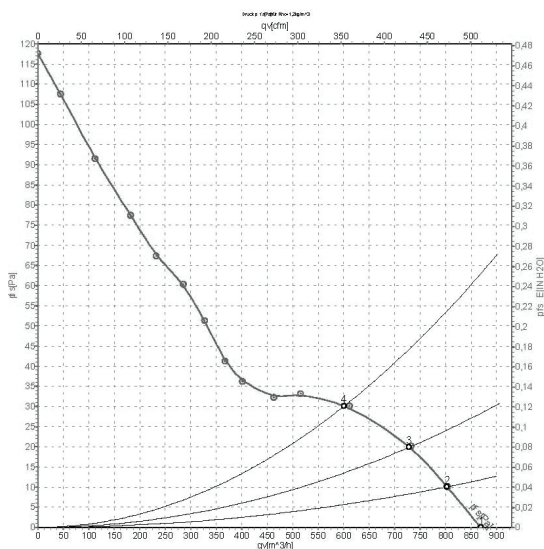
Subject to modification

### Pricing

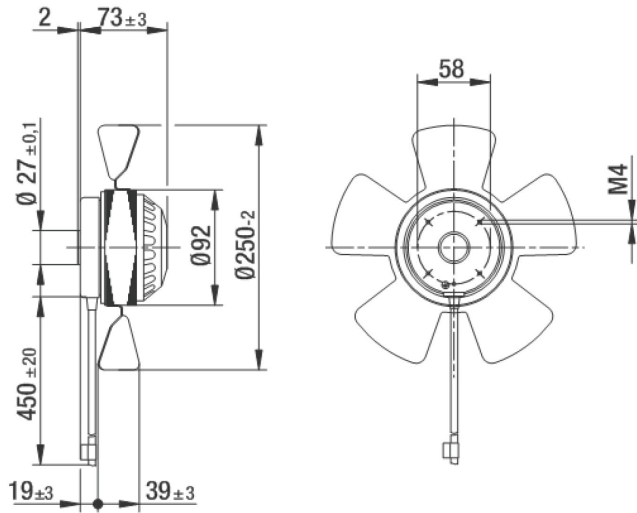
Product Code	Quantities		
	1	5-9	10>
A4S250AA0201	€ 93,20	€ 81,00	€ 73,00

All prices are in euro, excluding VAT ( BTW ) Orders are shipped according to incoterms : DAP, transport costs on the basis of calculation before shipment of weight and size.  
an extra handling fee of € 30,00 to every order with a total value of less than € 250,00 and € 15,00 to every order with a total value of € 250,00 to € 500,00 (net, excl. VAT).

### Pressure over air flow at 50Hz



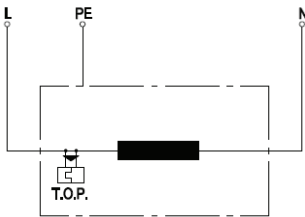
### Drawing



Direction of Airflow



### Connection illustration



L	= blue
PE	= green / yellow
N	= brown
TOP	= Thermal overload protector



Material : Rotor coated Black  
Blades coated black steelplate

Direction of rotation Right CW seen on rotor

Number of blades: 5

Protection: IP44

Isolation: B

Condensate discharges Rotor side

Mounting position: Free, Rotor on top on request

Mode of operation: Continuos S1

Bearings Maintenance free Ball Bearings

Motorprotection Integrated temperatur switches

Cable Axial out of stator lengthe : 450 mm

Norm EN 60335-1

Nominal data		Voltage	Frequency	Air flow	Speed	Power consumption	Current draw	Capacitor capacity	Sound pressure level	Min. back pressure	Perm. amb. temp.	Weight
Type	Motor	VAC	Hz	m3/h	rpm	W	A	uF/V	dB ( A )	Pa	C	kg
A4S250AA0202	M4S068CF	230	50	870	1400	72	0,53	-	58	-	-25..40	1,7

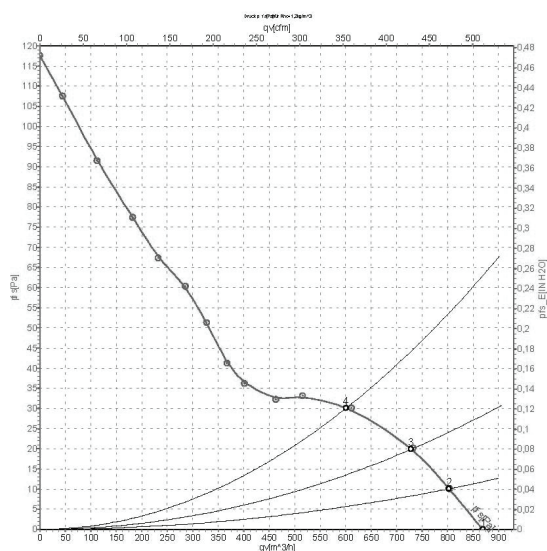
Subject to modification

### Pricing

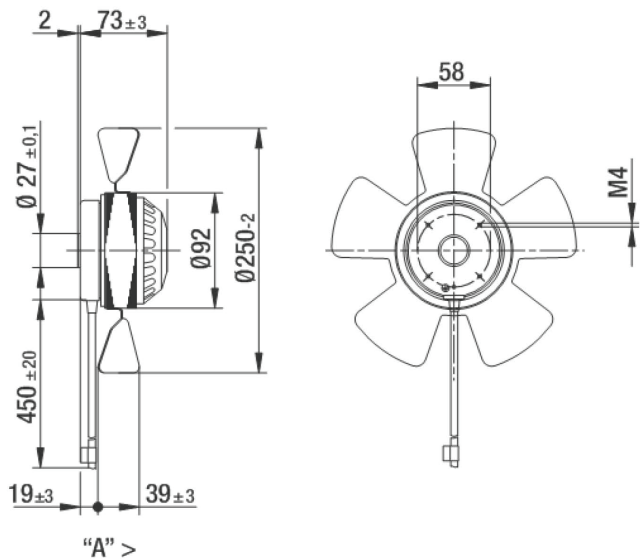
Product Code	Quantities		
	1	5-9	10>
A4S250AA0202	€ 93,20	€ 81,00	€ 73,00

All prices are in euro, excluding VAT ( BTW ) Orders are shipped according to incoterms : DAP, transport costs on the basis of calculation before shipment of weight and size.  
an extra handling fee of € 30,00 to every order with a total value of less than € 250,00 and € 15,00 to every order with a total value of € 250,00 to € 500,00 (net, excl. VAT).

### Pressure over air flow at 50Hz



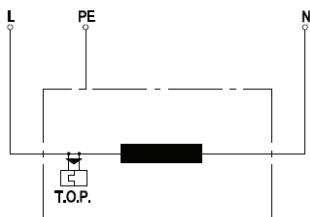
**Drawing**



Direction of airflow



**Connection illustration**



L	= blue
PE	= green / yellow
N	= brown
TOP	= Thermal overload protector



Material : Rotor coated Black  
Blades coated black steelplate

Direction of rotation Left CCW seen on rotor

Number of blades: 5

Protection: IP44

Isolation: B

Condensate discharges Rotor side

Mounting position: Free, Rotor on top on request

Mode of operation: Continuios S1

Bearings Maintenance free Ball Bearings

Motorprotection Integrated temperatur switches

Cable Axial out of stator lengthe : 450 mm

Norm EN 60335-1

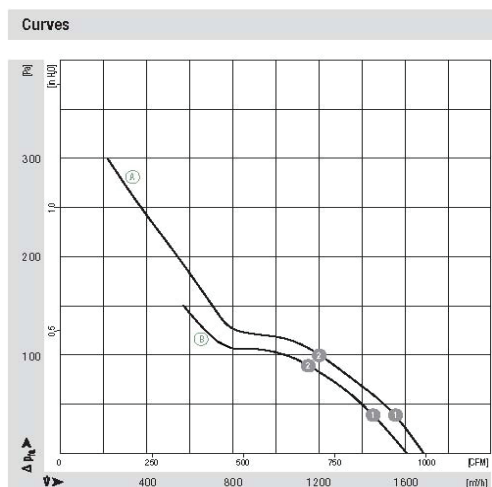
Nominal data		Voltage	Frequency	Air flow	Speed	Power consumption	Current draw	Capacitor capacity	Sound pressure level	Min. back pressure	Perm. amb. temp.	Weight
Type	Motor	VAC	Hz	m3/h	rpm	W	A	uF/V	dB ( A )	Pa	C	kg
W4S250CA0201	M4S068CF	230	50	870	1400	72	0,53	-	58	-	-25..40	1,7
Subject to modification												

### Pricing

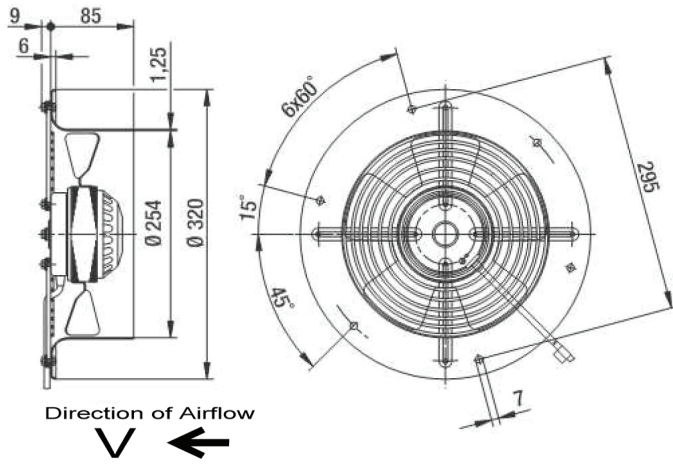
Product Code	Quantities		
	1	5-9	10>
W4S250CA0201	€ 135,80	€ 118,10	€ 106,30

All prices are in euro, excluding VAT ( BTW ) Orders are shipped according to incoterms : DAP, transport costs on the basis of calculation before shipment of weight and size.  
an extra handling fee of € 30,00 to every order with a total value of less than € 250,00 and € 15,00 to every order with a total value of € 250,00 to € 500,00 (net, excl. VAT).

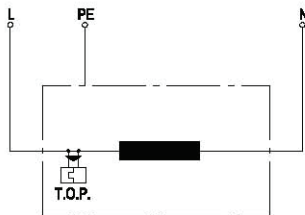
### Pressure over air flow at 50Hz



### Drawing



### Connection illustration



L	= blue
PE	= green / yellow
N	= brown
TOP	= Thermal overload protector



Material : Rotor coated Black  
Blades coated black steelplate

Direction of rotation Right CW seen on rotor

Number of blades: 5

Protection: IP44

Isolation: B

Condensate discharges Rotor side

Mounting position: Free, Rotor on top on request

Mode of operation: Continuios S1

Bearings Maintenance free Ball Bearings

Motorprotection Integrated temperatur switches

Cable Axial out of stator lengthe : 450 mm

Norm EN 60335-1

Nominal data		Voltage	Frequency	Air flow	Speed	Power consumption	Current draw	Capacitor capacity	Sound pressure level	Min. back pressure	Perm. amb. temp.	Weight
Type	Motor	VAC	Hz	m3/h	rpm	W	A	uF/V	dB ( A )	Pa	C	kg
W4S250CA0202	M4S068CF	230	50	870	1400	72	0,53	-	58	-	-25..40	1,7

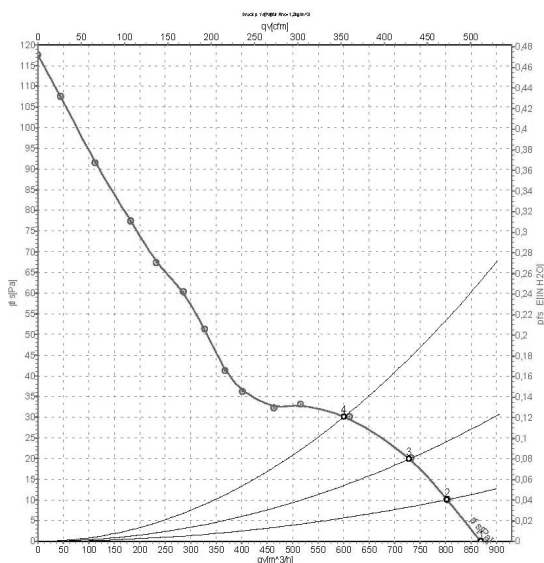
Subject to modification

### Pricing

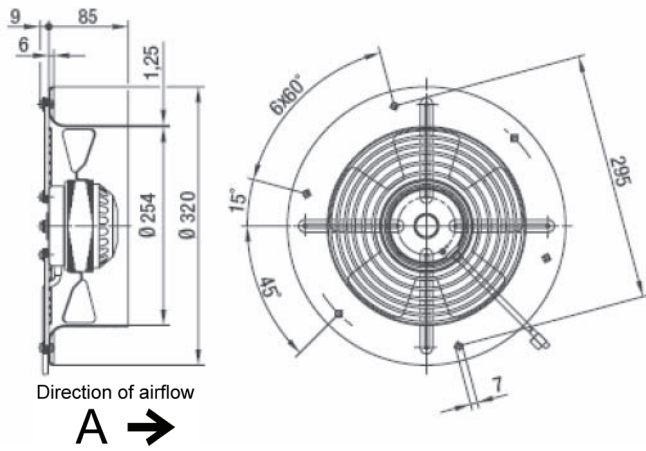
Product Code	Quantities		
	1	5-9	10>
W4S250CA0202	€ 135,80	€ 118,10	€ 106,30

All prices are in euro, excluding VAT ( BTW ) Orders are shipped according to incoterms : DAP, transport costs on the basis of calculation before shipment of weight and size.  
an extra handling fee of € 30,00 to every order with a total value of less than € 250,00 and € 15,00 to every order with a total value of € 250,00 to € 500,00 (net, excl. VAT).

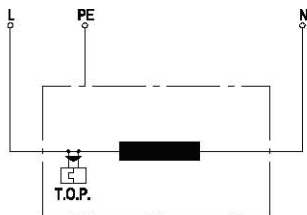
### Pressure over air flow at 50Hz



Drawing



Connection illustration



L	= blue
PE	= green / yellow
N	= brown
TOP	= Thermal overload protector



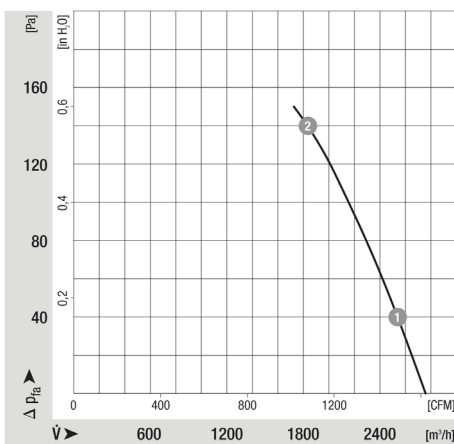
Material :	Rotor coated Black Blades coated black steelplate
Direction of rotation	Left CCW seen on rotor
Number of blades:	5
Protection:	IP44
Isolation:	B
Condensate discharges	Rotor side
Mounting position:	Free, Rotor on top on request
Mode of operation:	Continuios S1
Bearings	Maintenance free Ball Bearings
Motorprotection	Integrated temperatur switches
Cable	Axial out of stator lengthe : 450 mm
Norm	EN 60335-1

Nominal data		Voltage	Frequency	Air flow	Speed	Power consumption	Current draw	Capacitor capacity	Sound pressure level	Min. back pressure	Perm. amb. temp.	Weight
Type	Motor	VAC	Hz	m3/h	rpm	W	A	uF/V	dB ( A )	Pa	C	kg
A2D300AD0201	M2D068EC	230/400	50	2760	2650	180	0,54/0,31	-	76	-	-25..60	2,7
Subject to modification												

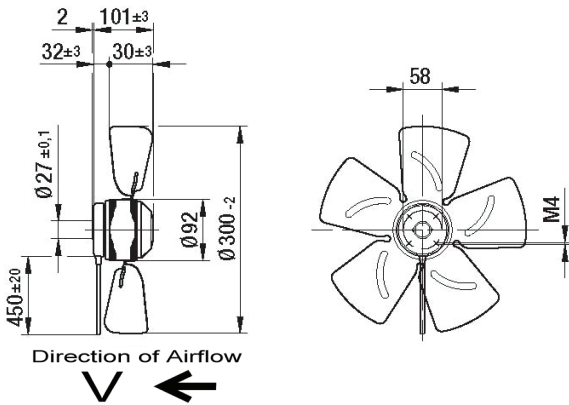
Pricing			
Product Code	Quantities		
	1	5-9	10>
A2D300AD0201	€ 159,10	€ 138,30	€ 124,50

All prices are in euro, excluding VAT ( BTW ) Orders are shipped according to incoterms : DAP, transport costs on the basis of calculation before shipment of weight and size.  
 an extra handling fee of € 30,00 to every order with a total value of less than € 250,00 and € 15,00 to every order with a total value of € 250,00 to € 500,00 (net, excl. VAT).

#### Pressure over air flow at 50Hz

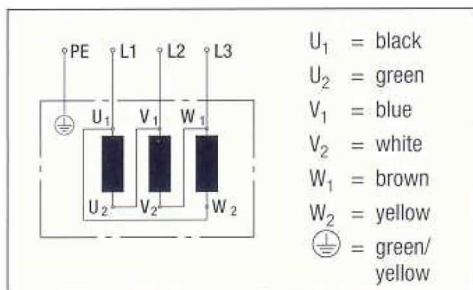


### Drawing

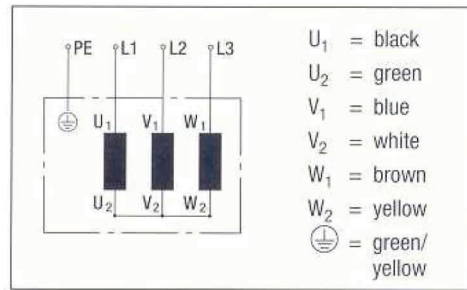


### Connection illustration

Delta connection (3 phase 230VAC power system) without TOP



Star connection (3 phase 400VAC power system) without TOP





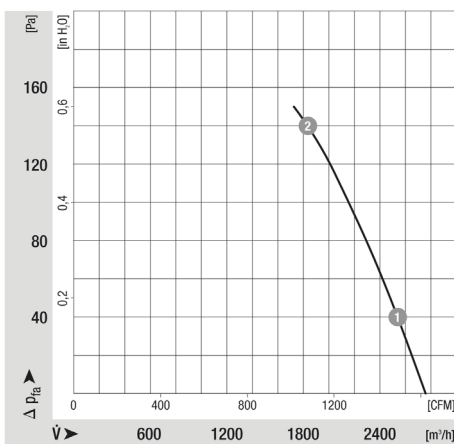
Material :	Rotor coated Black Blades coated black steelplate
Direction of rotation	Right CW seen on rotor
Number of blades:	5
Protection:	IP44
Isolation:	B
Condensate discharges	Rotor side
Mounting position:	Free, Rotor on top on request
Mode of operation:	Continuios S1
Bearings	Maintenance free Ball Bearings
Motorprotection	Integrated temperatur switches
Cable	Axial out of stator lengthe : 450 mm
Norm	EN 60335-1

Nominal data		Voltage	Frequency	Air flow	Speed	Power consumption	Current draw	Capacitor capacity	Sound pressure level	Min. back pressure	Perm. amb. temp.	Weight
Type	Motor	VAC	Hz	m3/h	rpm	W	A	uF/V	dB ( A )	Pa	C	kg
A2D300AD0202	M2D068EC	230/400	50	2760	2650	180	0,54/0,31	-	76	-	-25..60	2,7
Subject to modification												

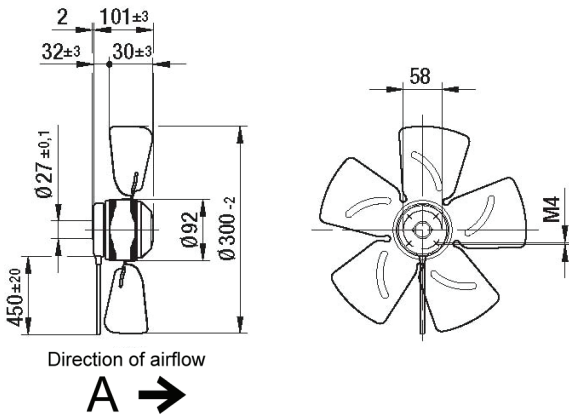
Pricing			
Product Code	Quantities		
	1	5-9	10>
A2D300AD0202	€ 159,10	€ 138,30	€ 124,50

All prices are in euro, excluding VAT ( BTW ) Orders are shipped according to incoterms : DAP, transport costs on the basis of calculation before shipment of weight and size.  
 an extra handling fee of € 30,00 to every order with a total value of less than € 250,00 and € 15,00 to every order with a total value of € 250,00 to € 500,00 (net, excl. VAT).

#### Pressure over air flow at 50Hz

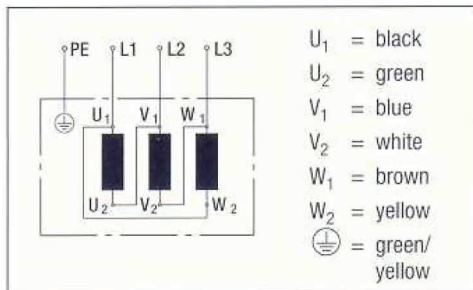


### Drawing

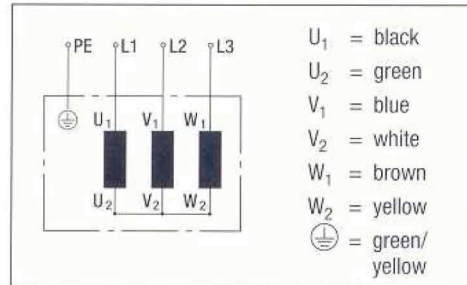


### Connection illustration

Delta connection (3 phase 230VAC power system) without TOP



Star connection (3 phase 400VAC power system) without TOP





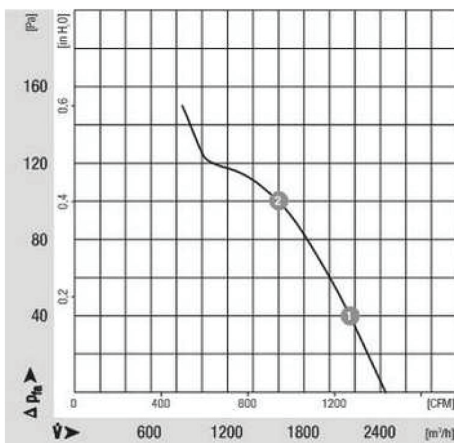
Material :	Rotor coated Black Blades coated black steelplate
Direction of rotation	Left CCW seen on rotor
Number of blades:	5
Protection:	IP44
Isolation:	B
Condensate discharges	Rotor side
Mounting position:	Free, Rotor on top on request
Mode of operation:	Continuos S1
Bearings	Maintenance free Ball Bearings
Motorprotection	Integrated temperatur switches
Cable	Axial out of stator lengthe : 450 mm
Norm	EN 60335-1

Nominal data		Voltage	Frequency	Air flow	Speed	Power consumption	Current draw	Capacitor capacity	Sound pressure level	Min. back pressure	Perm. amb. temp.	Weight
Type	Motor	VAC	Hz	m3/h	rpm	W	A	uF/V	dB (A)	Pa	C	kg
A2E300AC4701	M2E068EC	230	50	2440	2650	140	0,62	5/400	75	-	-25..55	2,5
Subject to modification												

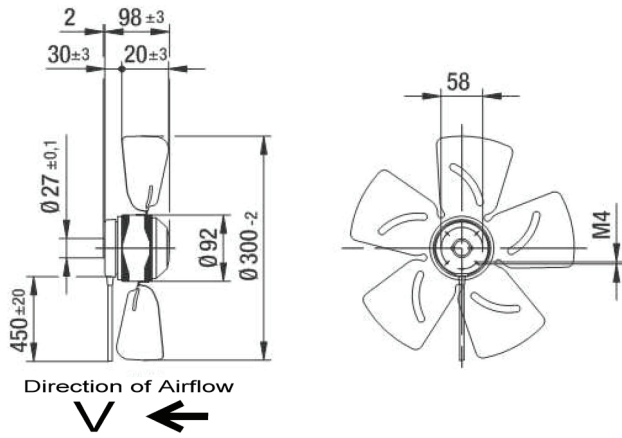
Product Code	Quantities			Accessories		
	1	5-9	10>	Capacitor	1-9	10-49
A2E300AC4701	€ 145,10	€ 126,30	€ 113,60	280F00037		

All prices are in euro, excluding VAT ( BTW ) Orders are shipped according to incoterms : DAP, transport costs on the basis of calculation before shipment of weight and size.  
 an extra handling fee of € 30,00 to every order with a total value of less than € 250,00 and € 15,00 to every order with a total value of € 250,00 to € 500,00 (net, excl. VAT).

### Pressure over air flow at 50Hz

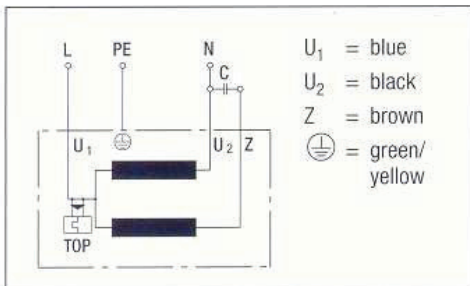


### Drawing



### Connection illustration

Single-phase capacitor motor with TOP wired internally





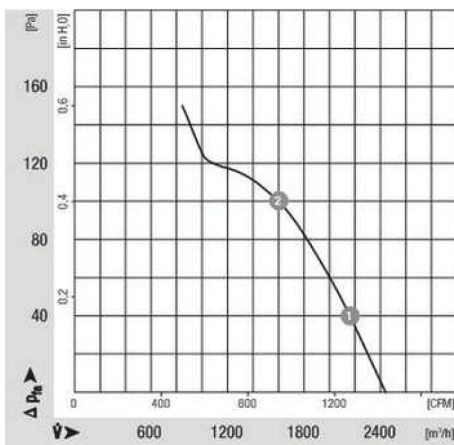
Material :	Rotor coated Black Blades coated black steelplate
Direction of rotation	Right CW seen on rotor
Number of blades:	5
Protection:	IP44
Isolation:	B
Condensate discharges	Rotor side
Mounting position:	Free, Rotor on top on request
Mode of operation:	Continuos S1
Bearings	Maintenance free Ball Bearings
Motorprotection	Integrated temperatur switches
Cable	Axial out of stator lengthe : 450 mm
Norm	EN 60335-1

Nominal data		Voltage	Frequency	Air flow	Speed	Power consumption	Current draw	Capacitor capacity	Sound pressure level	Min. back pressure	Perm. amb. temp.	Weight
Type	Motor	VAC	Hz	m3/h	rpm	W	A	uF/V	dB ( A )	Pa	C	kg
A2E300AC4702	M2E068EC	230	50	2440	2650	140	0,62	5/400	75	-	-25..55	2,5
Subject to modification												

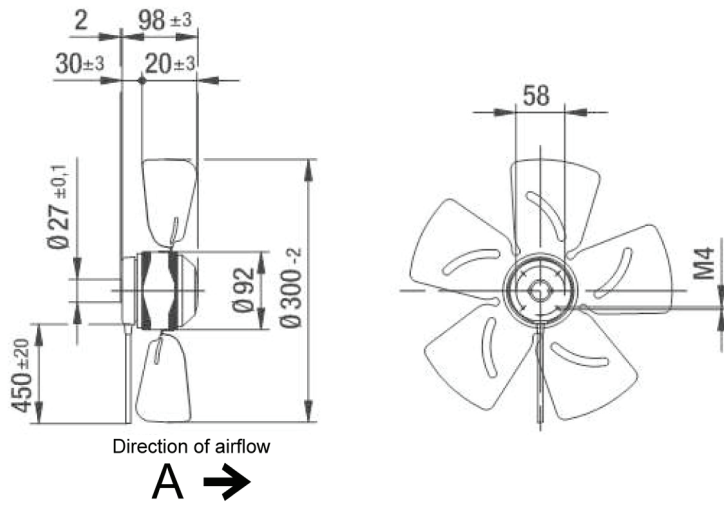
Pricing	Quantities			Accessories			
	Product Code	1	5-9	10>	Capacitor	1-9	10-49
A2E300AC4702	€ 145,10	€ 126,30	€ 113,60	280F00037			

All prices are in euro, excluding VAT ( BTW ) Orders are shipped according to incoterms : DAP, transport costs on the basis of calculation before shipment of weight and size.  
 an extra handling fee of € 30,00 to every order with a total value of less than € 250,00 and € 15,00 to every order with a total value of € 250,00 to € 500,00 (net, excl. VAT).

#### Pressure over air flow at 50Hz

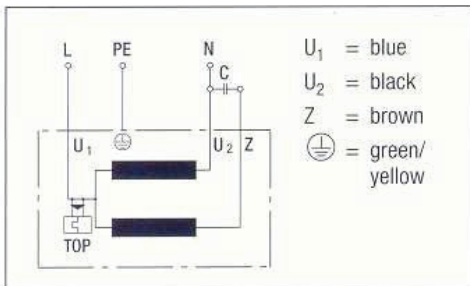


### Drawing



### Connection illustration

Single-phase capacitor motor with TOP wired internally





Material :  
 Direction of rotation : Clockwise, seen on rotor  
 Number of blades: 5  
 Protection: IP44  
 Isolation: B  
 Mounting position: Shaft horizontal or rotor on bottom; rotor on top on request  
 Mode of operation: Continuous S1  
 Bearings: Ball bearing  
 Motorprotection: Thermal overload protector (TOP) wired internally  
 Cable: Variable, 450mm  
 Norm: EN 60335-1

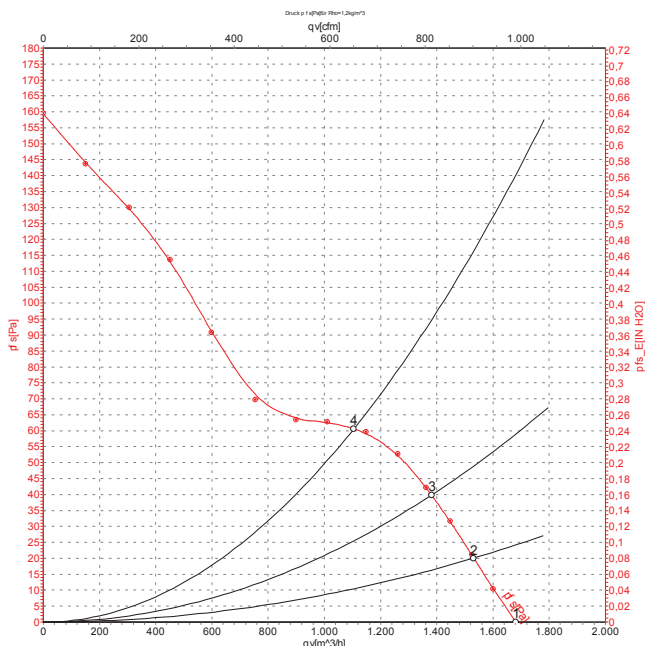
Nominal data		Voltage	Frequency	Air flow	Speed	Power consumption	Current draw	Capacitor capacity	Sound pressure level	Min. back pressure	Perm. amb. temp.	Weight
Type	Motor	VAC	Hz	m3/h	rpm	W	A	uF/V	dB ( A )	Pa	C	kg
A4E300AA0102	M2S052-CA	230	50	1700	1350	95	0.44	3	-		-25..45	2.3

Subject to modification

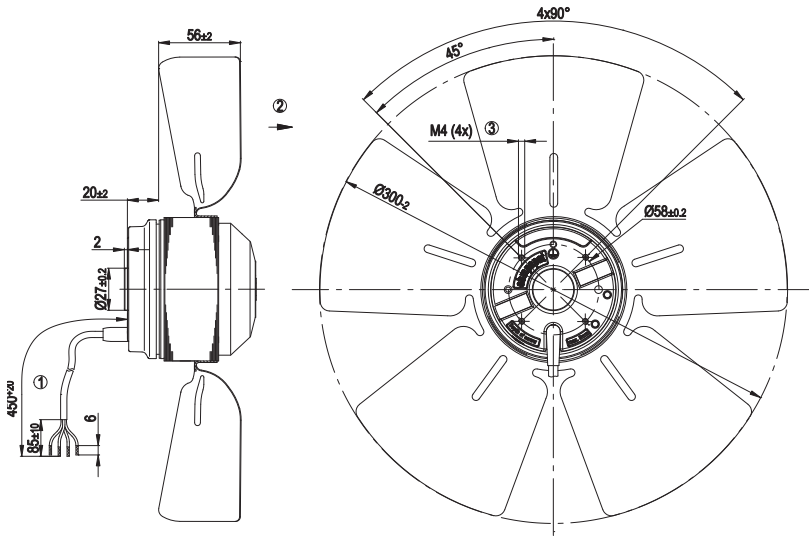
Pricing	Quantities			Accessories
	1	5-9	10>	
Product Code				Grill
A4E300AA0102	€ 131,00	€ 114,10	€ 102,70	

All prices are in euro, excluding VAT ( BTW ) Orders are shipped according to incoterms : DAP, transport costs on the basis of calculation before shipment of weight and size.  
 an extra handling fee of € 30,00 to every order with a total value of less than € 250,00 and € 15,00 to every order with a total value of € 250,00 to € 500,00 (net, excl. VAT).

### Pressure over air flow rated Voltage



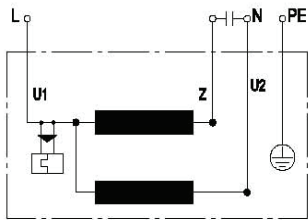
Specific drawing



Direction of airflow



Connection illustration



U1	blue	Z	brown	U2	black
PE	green/yellow				



Material : Rotor coated Black  
 Blades PP  
 Direction of rotation Left CCW seen on rotor  
 Number of blades: 5  
 Protection: IP44  
 Isolation: B  
 Condensate discharges None  
 Mounting position: Free  
 Mode of operation: Continious S1  
 Bearings Maintenance free Ball Bearings  
 Motorprotection Integrated temperatur switches  
 Cable Axial out of stator lengthe : 450 mm  
 Norm EN 60335-1

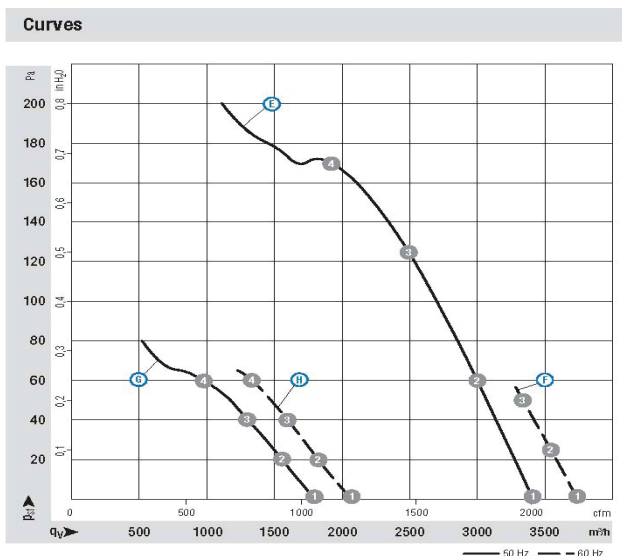
Nominal data		Voltage	Frequency	Air flow	Speed	Power consumption	Current draw	Capacitor capacity	Sound pressure level	Min. back pressure	Perm. amb. temp.	Weight
Type	Motor	VAC	Hz	m3/h	rpm	W	A	uF/V	dB ( A )	Pa	C	kg
S4E300AS7230	M4E068CF	230	50	1800	1350	72	0,32	2/400	60	-	-40..80	2,85

Subject to modification

Pricing	Quantities			Accessories		
	1	5-9	10>	Capacitor	1-9	10-49
S4E300AS7230	€ 89,50	€ 77,80	€ 70,00	280F00033		

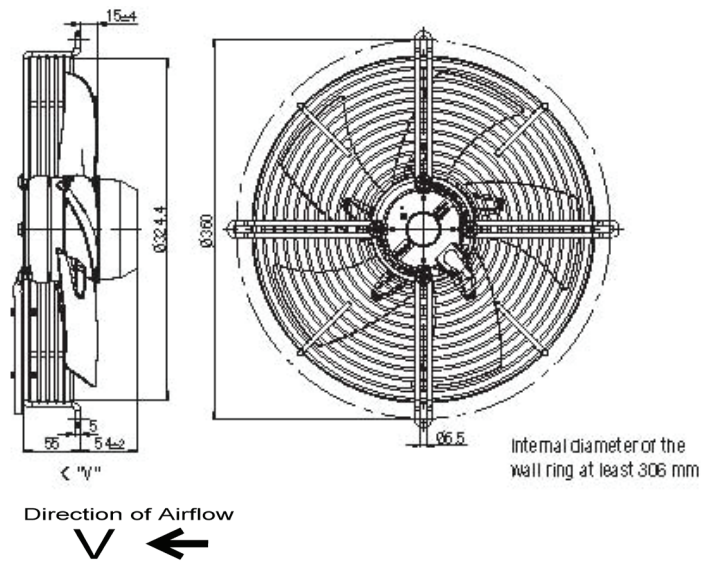
All prices are in euro, excluding VAT ( BTW ) Orders are shipped according to incoterms : DAP, transport costs on the basis of calculation before shipment of weight and size.  
 an extra handling fee of € 30,00 to every order with a total value of less than € 250,00 and € 15,00 to every order with a total value of € 250,00 to € 500,00 (net, excl. VAT).

#### Pressure over air flow at 50Hz



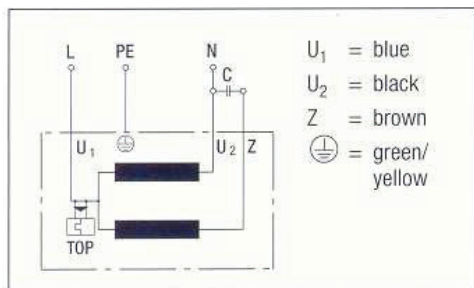
Use curve G

### Drawing



### Connection illustration

Single-phase capacitor motor with TOP wired internally





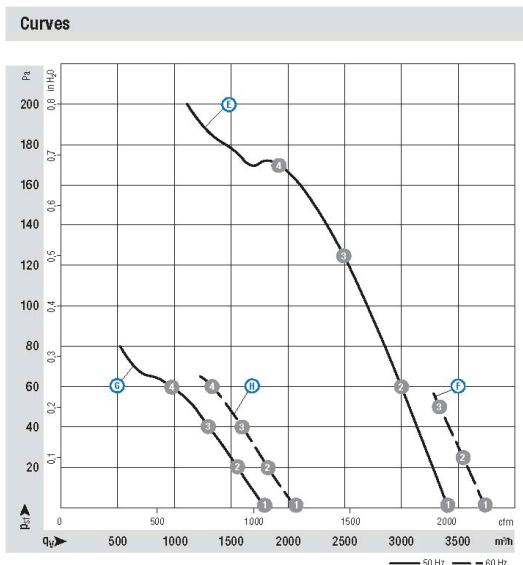
Material :	Rotor coated Black Blades PP
Direction of rotation	Right CW seen on rotor
Number of blades:	5
Protection:	IP44
Isolation:	B
Condensate discharges	None
Mounting position:	Free
Mode of operation:	Continuous S1
Bearings	Maintenance free Ball Bearings
Motorprotection	Integrated temperatur switches
Cable	Axial out of stator lengthe : 450 mm
Norm	EN 60335-1

Nominal data		Voltage	Frequency	Air flow	Speed	Power consumption	Current draw	Capacitor capacity	Sound pressure level	Min. back pressure	Perm. amb. temp.	Weight
Type	Motor	VAC	Hz	m3/h	rpm	W	A	uF/V	dB ( A )	Pa	C	kg
S4E300AS7231	M4E068CF	230	50	1690	1350	95	0,44	2/400	65	-	-25..45	2,3
Subject to modification												

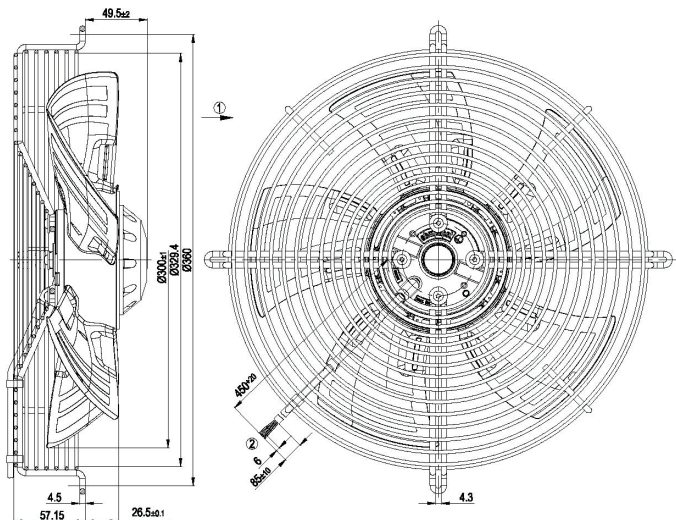
Pricing	Quantities			Accessories		
	1	5-9	10>	Capacitor	1-9	10-49
S4E300AS7231	€ 132,50	€ 115,20	€ 103,70	280F00033		

All prices are in euro, excluding VAT ( BTW ) Orders are shipped according to incoterms : DAP, transport costs on the basis of calculation before shipment of weight and size.  
 an extra handling fee of € 30,00 to every order with a total value of less than € 250,00 and € 15,00 to every order with a total value of € 250,00 to € 500,00 (net, excl. VAT).

#### Pressure over air flow at 50Hz



### Drawing

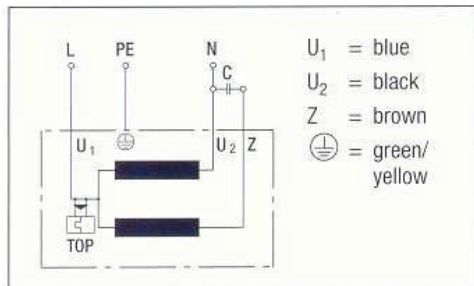


Direction of airflow



### Connection illustration

Single-phase capacitor motor with TOP wired internally





Material : Rotor coated Black  
Blades PP

Direction of rotation : Left CCW seen on rotor

Number of blades: 5

Protection: IP44

Isolation: F

Condensate discharges : Rotor side

Mounting position: Free, Rotor on top on request

Mode of operation: Continuos S1

Bearings : Maintenance free Ball Bearings

Motorprotection : Integrated temperatur switches

Cable : Axial out of stator lengthe : 450 mm

Norm : EN 60335-1

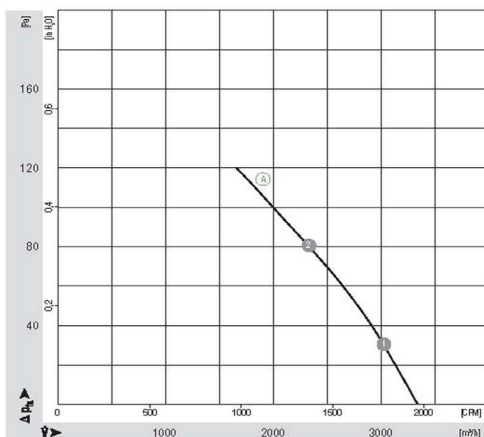
Nominal data		Voltage	Frequency	Air flow	Speed	Power consumption	Current draw	Capacitor capacity	Sound pressure level	Min. back pressure	Perm. amb. temp.	Weight
Type	Motor	VAC	Hz	m3/h	rpm	W	A	uF/V	dB ( A )	Pa	C	kg
S4E350AN0230	M4E074DF	230	50	3305	1400	165	0,73	4/400	69	-	-25..60	5
Subject to modification												

Pricing	Quantities			Accessories			
	Product Code	1	5-9	10>	Capacitor	1-9	10-49
S4E350AN0230	€ 115,70	€ 100,60	€ 90,50	280F00036			

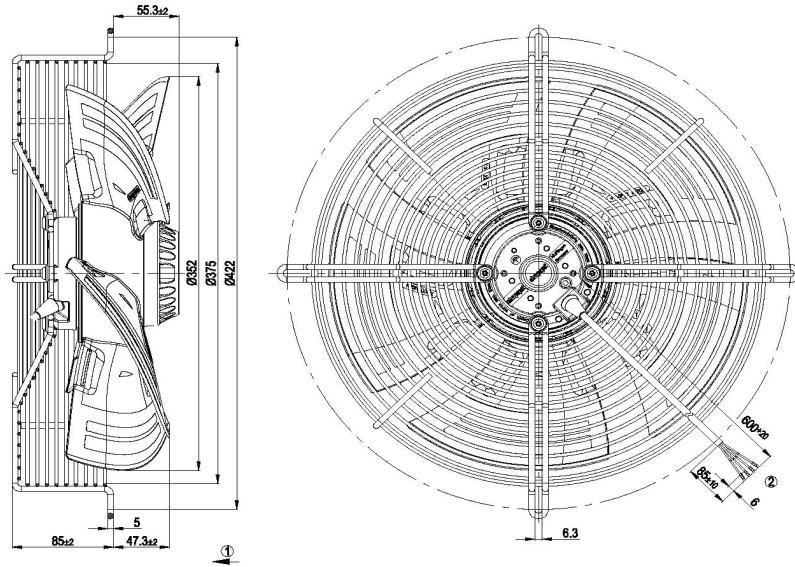
All prices are in euro, excluding VAT ( BTW ) Orders are shipped according to incoterms : DAP, transport costs on the basis of calculation before shipment of weight and size.  
an extra handling fee of € 30,00 to every order with a total value of less than € 250,00 and € 15,00 to every order with a total value of € 250,00 to € 500,00 (net, excl. VAT).

#### Pressure over air flow at 50Hz

##### Curves



### Drawing

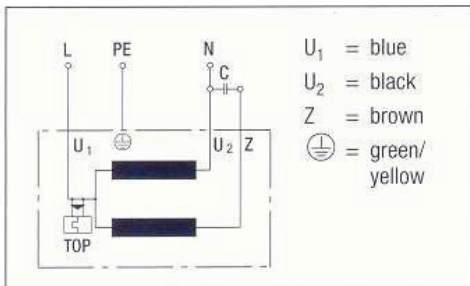


- 1 Förderrichtung "V"
- 2 Anschlussleitung Silikon 4G 0,5mm<sup>2</sup>, 4x Aderendkrallen angeschlagen



### Connection illustration

Single-phase capacitor motor with  
TOP wired internally





Material : Rotor coated Black  
Blades coated black steelplate

Direction of rotation Right CW seen on rotor

Number of blades: 5

Protection: IP44

Isolation: B

Condensate discharges Rotor side

Mounting position: Free, Rotor on top on request

Mode of operation: Continuos S1

Bearings Maintenance free Ball Bearings

Motorprotection Integrated temperatur switches

Cable Axial out of stator lengthe : 450 mm

Norm EN 60335-1

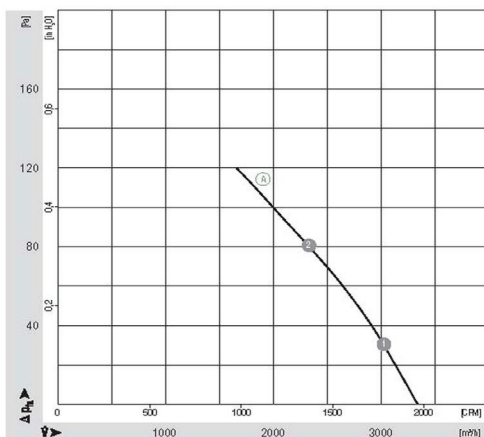
Nominal data		Voltage	Frequency	Air flow	Speed	Power consumption	Current draw	Capacitor capacity	Sound pressure level	Min. back pressure	Perm. amb. temp.	Weight
Type	Motor	VAC	Hz	m3/h	rpm	W	A	uF/V	dB ( A )	Pa	C	kg
S4E350AN0231	M4E074DF	230	50	3305	1400	165	0,73	4/400	69	-	-25..60	5
Subject to modification												

Pricing	Quantities			Accessories		
	1	5-9	10>	Capacitor	1-9	10-49
S4E350AN0231	€ 115,70	€ 100,60	€ 90,50	280F00036		

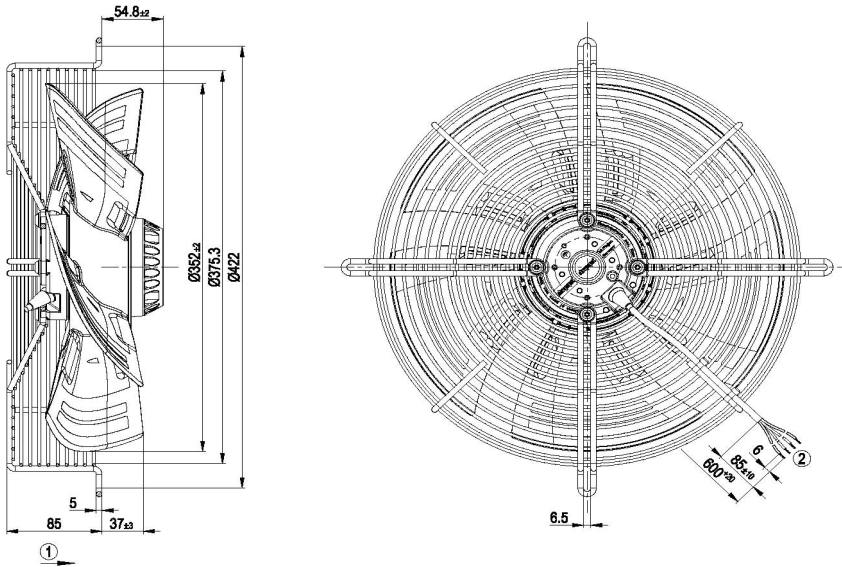
All prices are in euro, excluding VAT ( BTW ) Orders are shipped according to incoterms : DAP, transport costs on the basis of calculation before shipment of weight and size.  
an extra handling fee of € 30,00 to every order with a total value of less than € 250,00 and € 15,00 to every order with a total value of € 250,00 to € 500,00 (net, excl. VAT).

#### Pressure over air flow at 50Hz

##### Curves



### Drawing



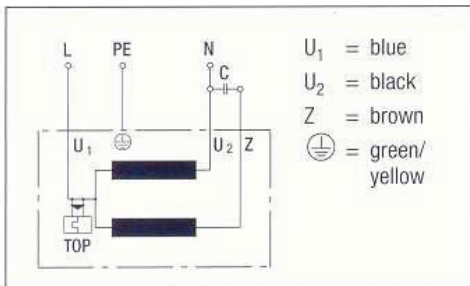
- 1 Direction of air flow "A"
- 2 Connection line silicone 4G 0.5 mm<sup>2</sup>, 4 x brass lead tips crimped

Direction of airflow



### Connection illustration

Single-phase capacitor motor with TOP wired internally





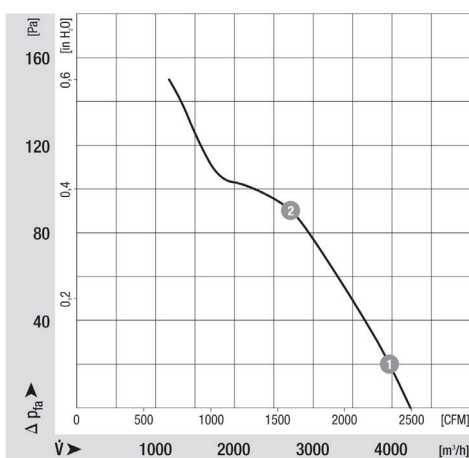
Material :	Rotor coated Black Blades coated black steelplate
Direction of rotation	Right CW seen on rotor
Number of blades:	5
Protection:	IP44
Isolation:	B
Condensate discharges	Rotor side
Mounting position:	Free, Rotor on top on request
Mode of operation:	Continuos S1
Bearings	Maintenance free Ball Bearings
Motorprotection	Integrated temperatur switches
Cable	Axial out of stator lengthe : 450 mm
Norm	EN 60335-1

Nominal data		Voltage	Frequency	Air flow	Speed	Power consumption	Current draw	Capacitor capacity	Sound pressure level	Min. back pressure	Perm. amb. temp.	Weight
Type	Motor	VAC	Hz	m3/h	rpm	W	A	uF/V	dB ( A )	Pa	C	kg
S4E400AP0203	M4E074EI	230	50	4235	1430	160	0,73	6/400	69	-	-25..40	4,2
Subject to modification												

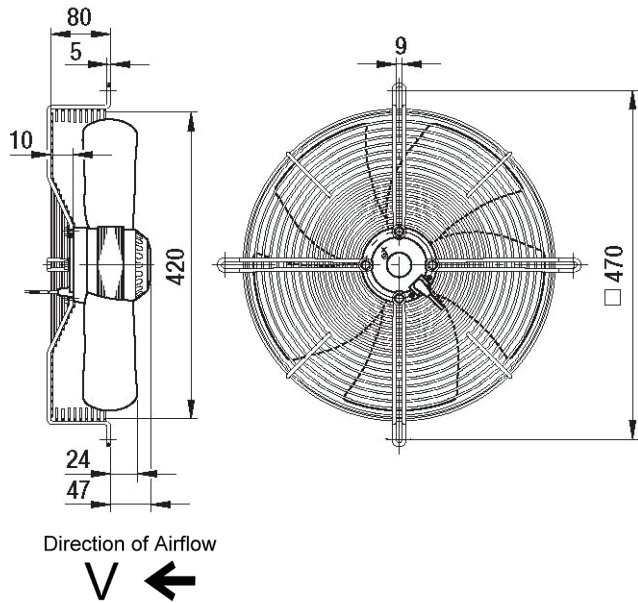
Pricing	Quantities			Accessories			
	Product Code	1	5-9	10>	Capacitor	1-9	10-49
S4E400AP0203	€ 150,90	€ 131,20	€ 118,10	280F00038			

All prices are in euro, excluding VAT ( BTW ) Orders are shipped according to incoterms : DAP, transport costs on the basis of calculation before shipment of weight and size.  
 an extra handling fee of € 30,00 to every order with a total value of less than € 250,00 and € 15,00 to every order with a total value of € 250,00 to € 500,00 (net, excl. VAT).

#### Pressure over air flow at 50Hz

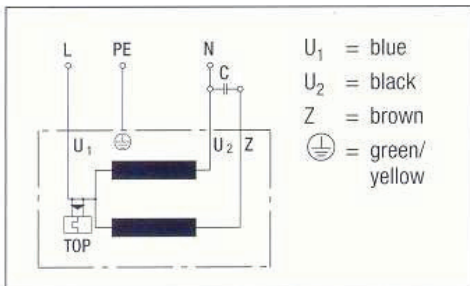


### Drawing



### Connection illustration

Single-phase capacitor motor with TOP wired internally





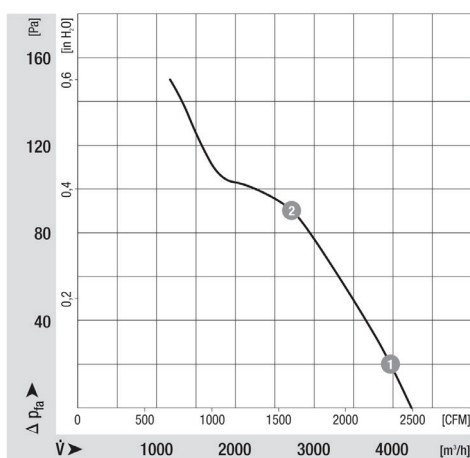
Material :	Rotor coated Black Blades coated black steelplate
Direction of rotation	Right CW seen on rotor
Number of blades:	5
Protection:	IP44
Isolation:	B
Condensate discharges	Rotor side
Mounting position:	Free, Rotor on top on request
Mode of operation:	Continuios S1
Bearings	Maintenance free Ball Bearings
Motorprotection	Integrated temperatur switches
Cable	Axial out of stator lengthe : 450 mm
Norm	EN 60335-1

Nominal data		Voltage	Frequency	Air flow	Speed	Power consumption	Current draw	Capacitor capacity	Sound pressure level	Min. back pressure	Perm. amb. temp.	Weight
Type	Motor	VAC	Hz	m3/h	rpm	W	A	uF/V	dB ( A )	Pa	C	kg
S4E400AP0204	M4E074EI	230	50	4235	1430	160	0,73	6/400	69	-	-25..40	4,2
Subject to modification												

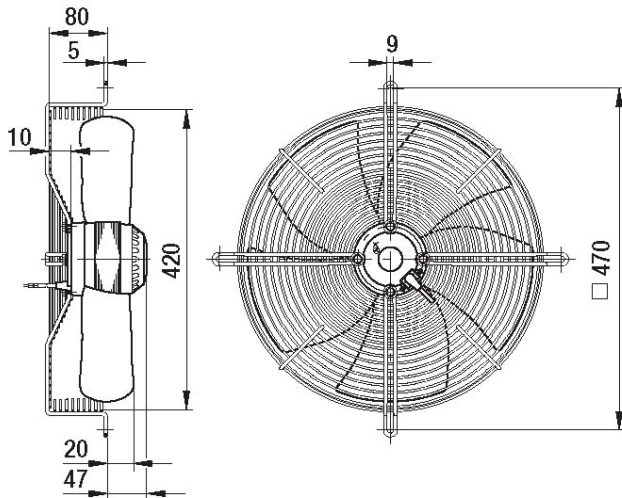
Pricing	Quantities			Accessories			
	Product Code	1	5-9	10>	Capacitor	1-9	10-49
S4E400AP0204	€ 175,30	€ 152,50	€ 137,20	280F00038			

All prices are in euro, excluding VAT ( BTW ) Orders are shipped according to incoterms : DAP, transport costs on the basis of calculation before shipment of weight and size.  
 an extra handling fee of € 30,00 to every order with a total value of less than € 250,00 and € 15,00 to every order with a total value of € 250,00 to € 500,00 (net, excl. VAT).

#### Pressure over air flow at 50Hz



### Drawing

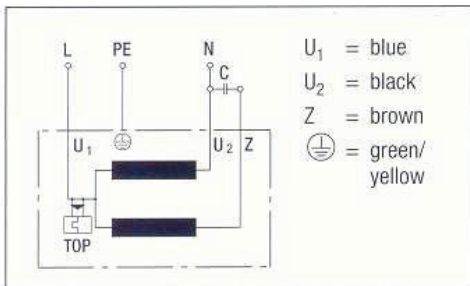


Direction of airflow



### Connection illustration

Single-phase capacitor motor with  
TOP wired internally





Material : Rotor coated Black  
Blades coated black steelplate

Direction of rotation : Right CW seen on rotor

Number of blades: 5

Protection: IP44

Isolation: B

Condensate discharges : Rotor side

Mounting position: Free, Rotor on top on request

Mode of operation: Continuios S1

Bearings : Maintenance free Ball Bearings

Motorprotection : Integrated temperatur switches

Cable : Axial out of stator lengthe : 450 mm

Norm : EN 60335-1

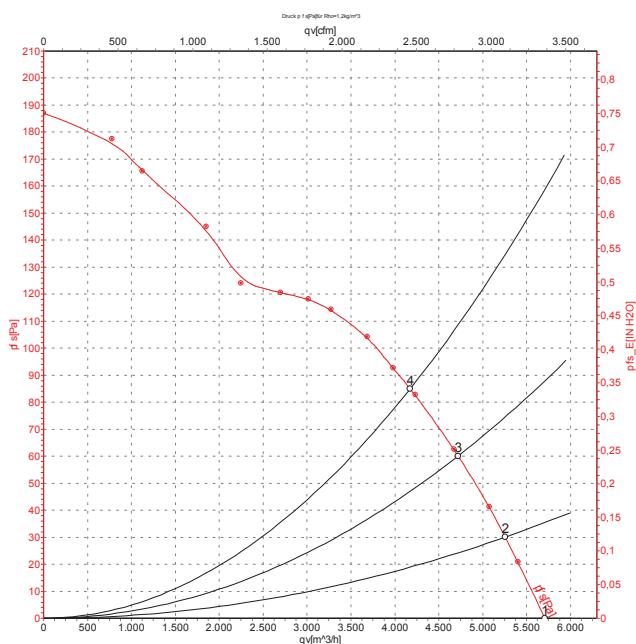
Nominal data		Voltage	Frequency	Air flow	Speed	Power consumption	Current draw	Capacitor capacity	Sound pressure level	Min. back pressure	Perm. amb. temp.	Weight
Type	Motor	VAC	Hz	m3/h	rpm	W	A	uF/V	dB ( A )	Pa	C	kg
S4E450AP0101	M4E074GA	230	50	5800	1400	245	1,10	8/400	73	-	-25..60	7,1

Subject to modification

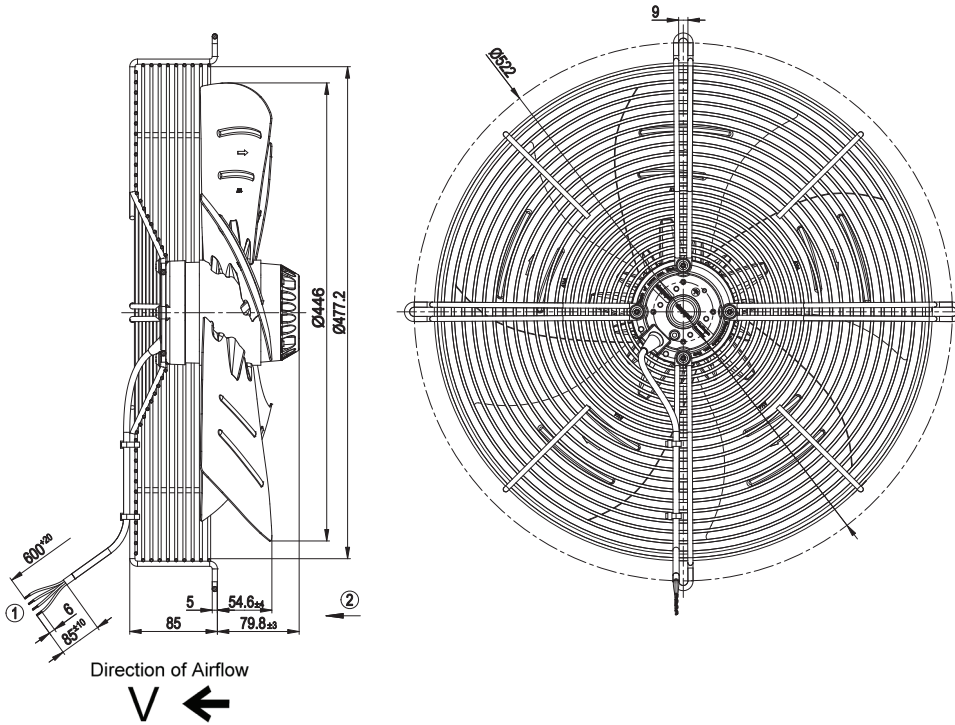
Pricing	Quantities			Accessories		
	1	5-9	10>	Capacitor	1-9	10-49
S4E450AP0101	€ 206,90	€ 179,90	€ 161,90	280F00039		

All prices are in euro, excluding VAT ( BTW ) Orders are shipped according to incoterms : DAP, transport costs on the basis of calculation before shipment of weight and size.  
an extra handling fee of € 30,00 to every order with a total value of less than € 250,00 and € 15,00 to every order with a total value of € 250,00 to € 500,00 (net, excl. VAT).

#### Pressure over air flow at 50Hz

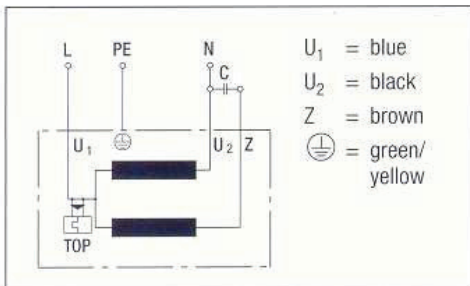


Drawing



Connection illustration

Single-phase capacitor motor with TOP wired internally



### Backward curved



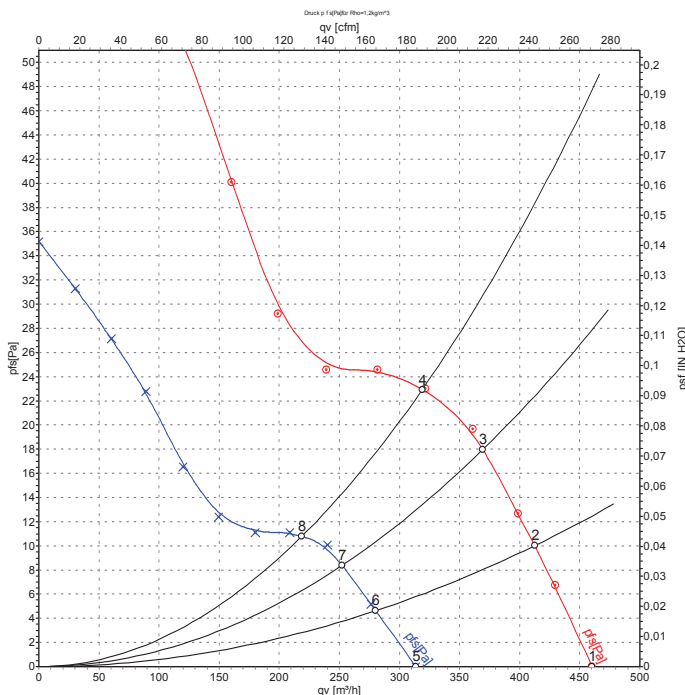
Material :	PA plastic 6, fibreglass-reinforced Epylen GT50
Direction of rotation	Counter-clockwise, seen on rotor
Protection:	IP54
Isolation:	B
Condensate discharges	None
Mounting position:	Any
Mode of operation	2-speed
Bearings	Ball Bearings
Motorprotection	Thermal overload protector (TOP) wired internally
Cable	Lateral, 450mm
Norm	EN 60335-1

Nominal data		Voltage	Frequency	Air flow	Speed	Power consumption	Current draw	Capacitor capacity	Sound pressure level	Min. back pressure	Perm. amb. temp.	Weight
Type	Motor	VAC	Hz	m3/h	rpm	W	A	uF/V	dB (A)	Pa	C	kg
W1G200EC8725	M1G055-BD	230	50/60	460	1300	8	0,07			-	-30 50	1.0
Subject to modification												

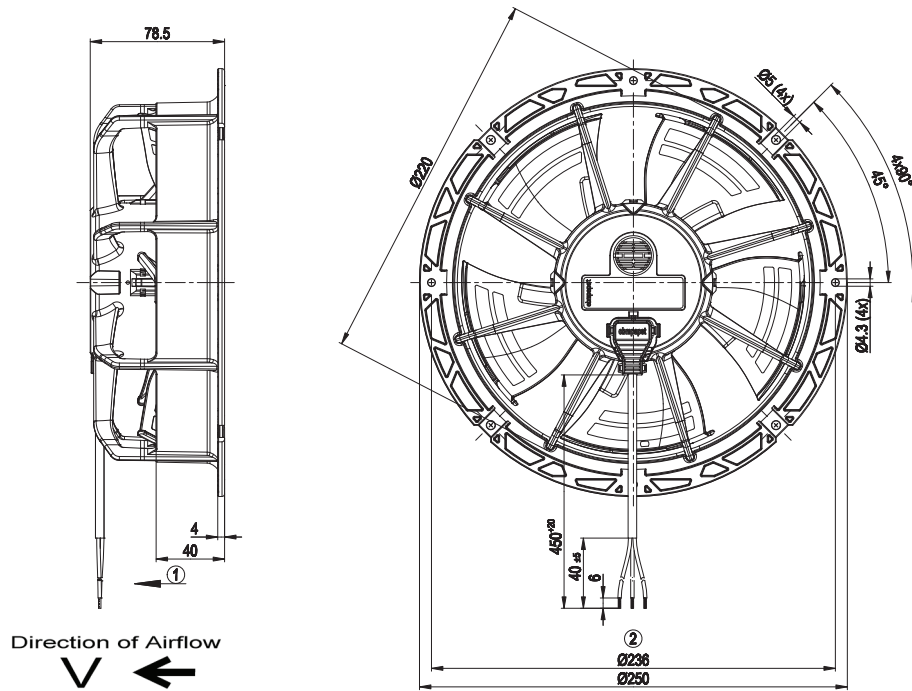
Pricing			
Quantities			
Product Code	1	5-9	10>
W1G200EC8725	€ 75,00	€ 65,20	€ 58,70

All prices are in euro, excluding VAT ( BTW ) Orders are shipped according to incoterms : DAP, transport costs on the basis of calculation before shipment of weight and size.  
 an extra handling fee of € 30,00 to every order with a total value of less than € 250,00 and € 15,00 to every order with a total value of € 250,00 to € 500,00 (net, excl. VAT).

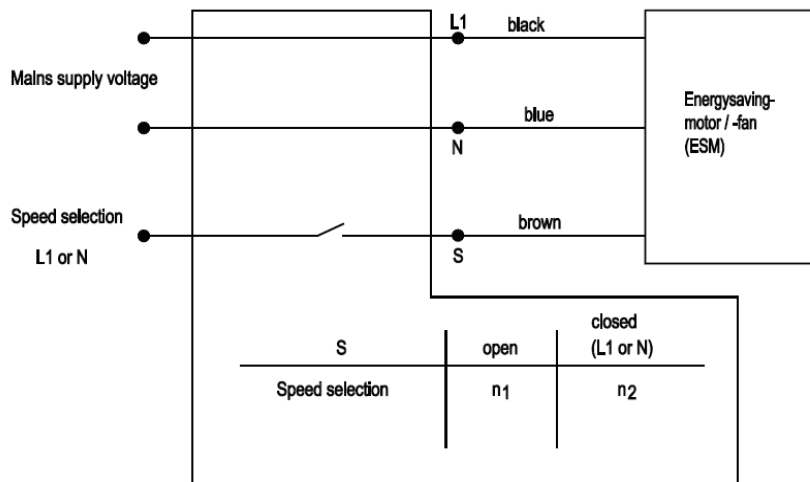
### Pressure over air flow at 50Hz



Specific drawing



Connection illustration





Material : Material of impeller: PP Plastic  
 Material of guard grille: Steel, coated in black plastic  
 Material of electronics housing: Die-cast aluminium, coated in black  
 Counter-clockwise, seen on rotor

Direction of rotation  
 Number of blades: 5  
 Protection: IP54  
 Isolation: B  
 Mounting position: Any  
 Mode of operation: Continuous S1  
 Bearings: Ball bearing  
 Motor protection: Locked-rotor protection  
 Cable: 450mm  
 Norm: EN 60335-1

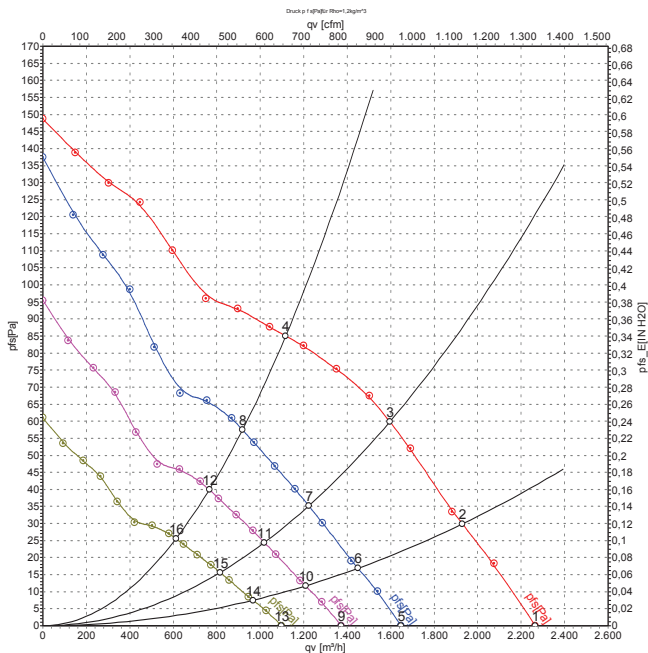
Nominal data		Voltage	Frequency	Air flow	Speed	Power consumption	Current draw	Capacitor capacity	Sound pressure level	Min. back pressure	Perm. amb. temp.	Weight
Type	Motor	VAC	Hz	m3/h	rpm	W	A	uF/V	dB (A)	Pa	C	kg
S3G300AK1332	M3055-CF	230	50	2250	1500	85	0.7	-	-	85	-25..60	2.4

Subject to modification

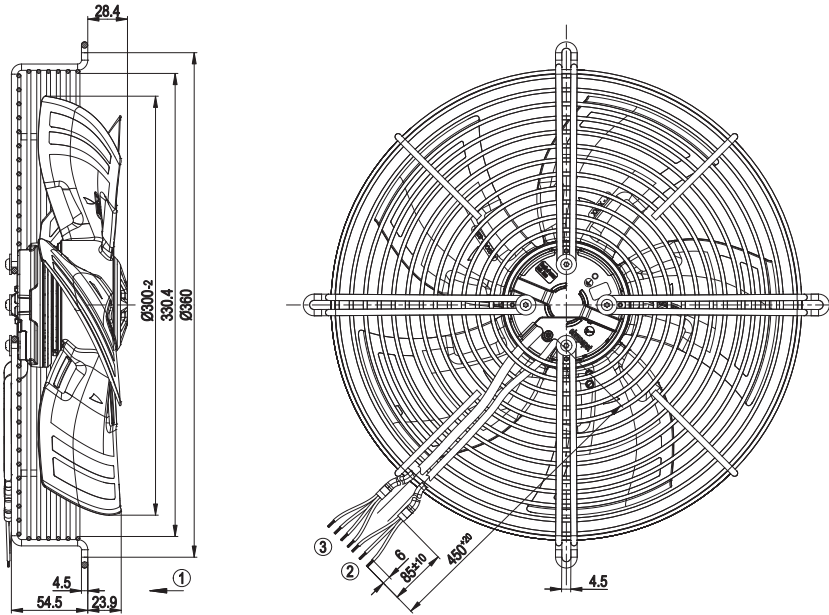
Pricing	Quantities			Accessories
	1	5-9	10>	
Product Code				Grill
S3G300AK1332	€ 168,40	€ 147,80	€ 130,60	

All prices are in euro, excluding VAT ( BTW ) Orders are shipped according to incoterms : DAP, transport costs on the basis of calculation before shipment of weight and size.  
 an extra handling fee of € 30,00 to every order with a total value of less than € 250,00 and € 15,00 to every order with a total value of € 250,00 to € 500,00 (net, excl. VAT).

### Pressure over air flow rated Voltage

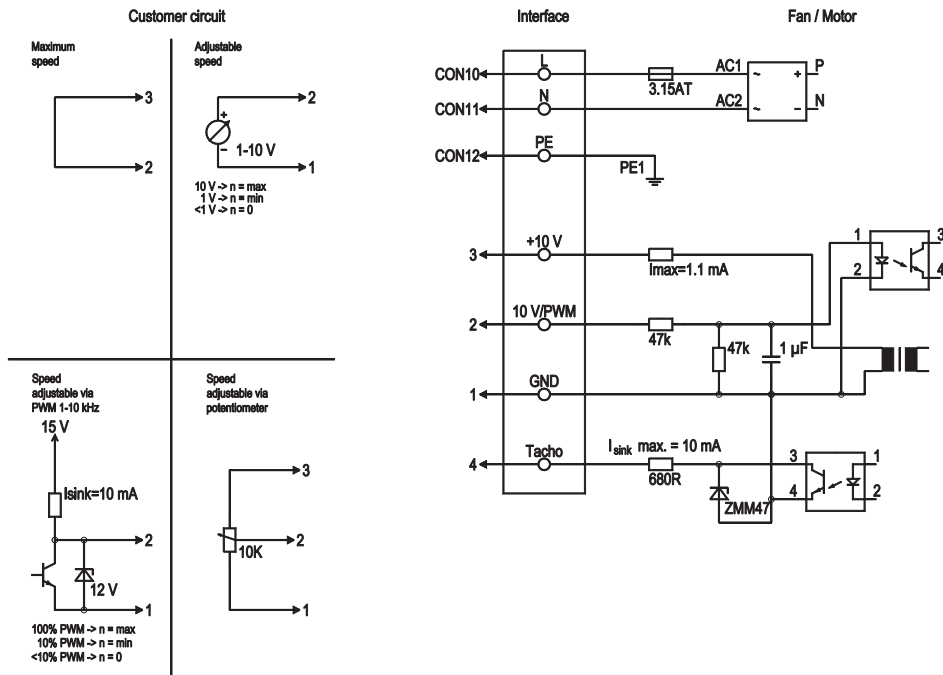


### Specific drawing



Direction of Airflow

### Connection illustration





Material : Material of blades: Press-fitted sheet steel blank, sprayed with PP Plastic  
 Material of guard grille: Steel, coated in black plastic  
 Counter-clockwise, seen on rotor

Direction of rotation  
 Number of blades: 5  
 Protection: IP54  
 Isolation: B  
 Mounting position: Any  
 Mode of operation: Continuiuos S1  
 Bearings: Ball bearing  
 Motorprotection: PTC resistor  
 Cable: 600mm  
 Norm: EN 60335-1

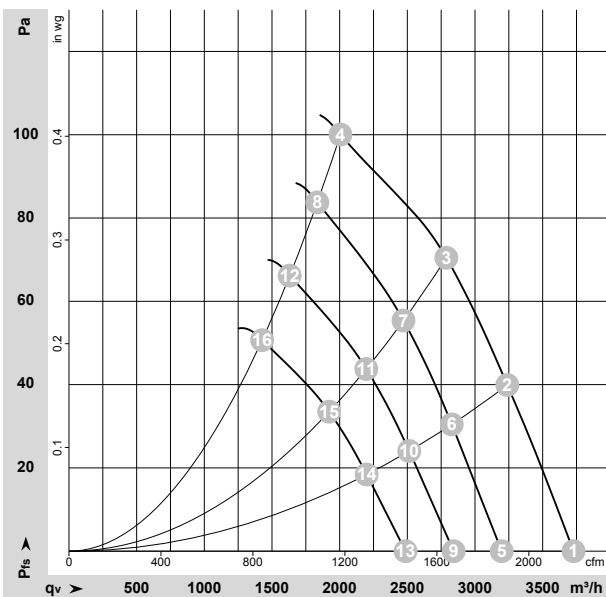
Nominal data		Voltage	Frequency	Air flow	Speed	Power consumption	Current draw	Capacitor capacity	Sound pressure level	Min. back pressure	Perm. amb. temp.	Weight
Type	Motor	VAC	Hz	m3/h	rpm	W	A	uF/V	dB ( A )	Pa	C	kg
S3G350AN0132	M3G074-CF	230	50	3700	1475	165	1.35	-	-	-	-25..60	3.6

Subject to modification

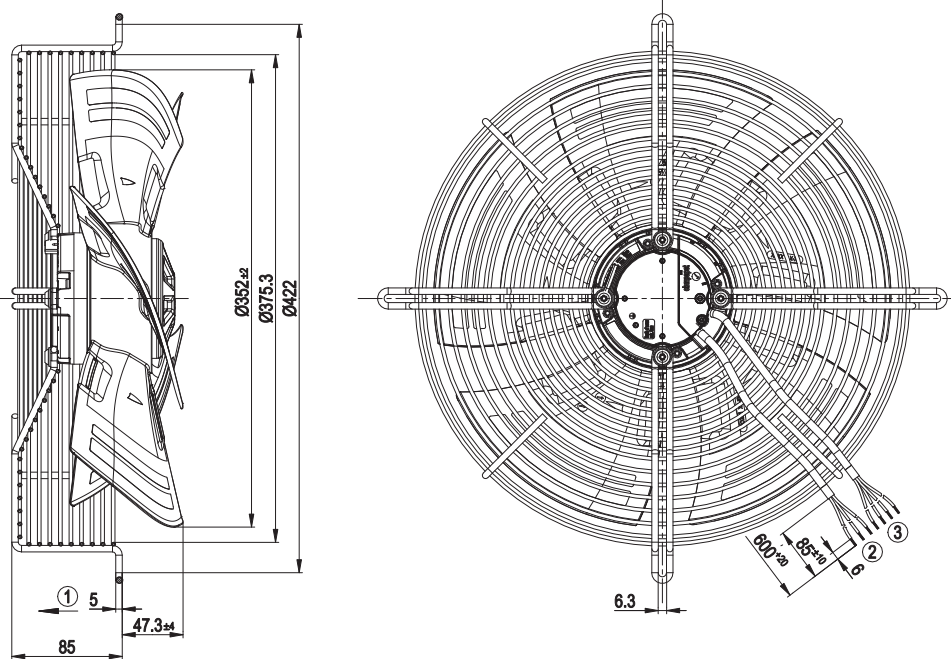
Pricing	Quantities			Accessories
	1	5-9	10>	
Product Code				Grill
S3G350AN0132	€ 244,10	€ 214,20	€ 189,30	

All prices are in euro, excluding VAT ( BTW ) Orders are shipped according to incoterms : DAP, transport costs on the basis of calculation before shipment of weight and size.  
 an extra handling fee of € 30,00 to every order with a total value of less than € 250,00 and € 15,00 to every order with a total value of € 250,00 to € 500,00 (net, excl. VAT).

### Pressure over air flow rated Voltage



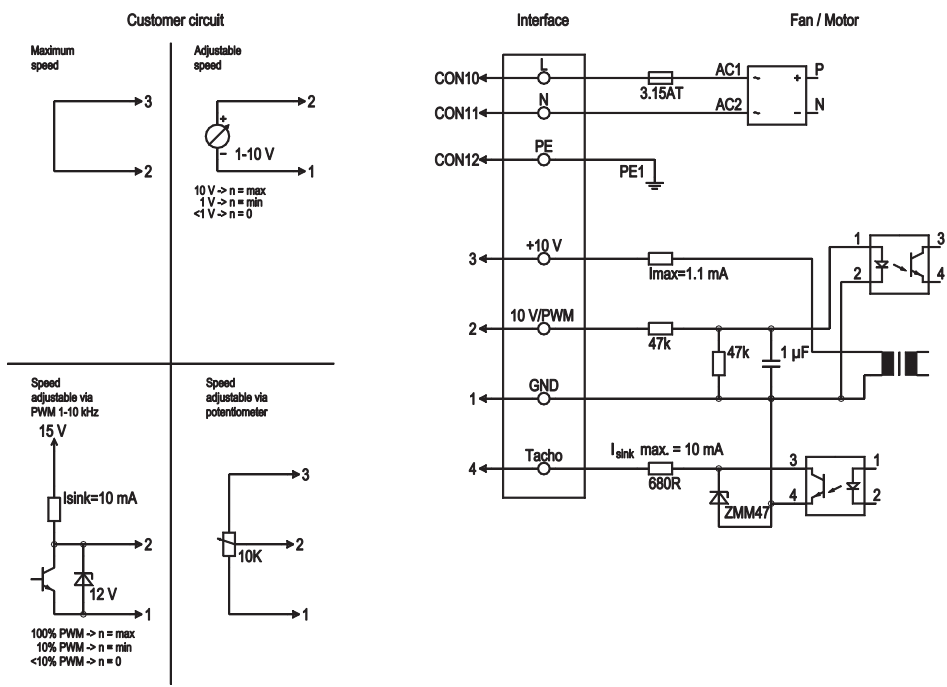
### Specific drawing



Direction of Airflow



### Connection illustration





Material : Material of blades: Press-fitted sheet steel blank, sprayed with PP Plastic  
 Material of guard grille: Steel, phosphated and coated in black plastic  
 Material of electronics housing: Die-cast aluminium, coated in black  
 Direction of rotation Counter-clockwise, seen on rotor  
 Number of blades: 5  
 Protection: IP54  
 Isolation: B  
 Mounting position: Shaft horizontal or rotor on bottom; rotor on top on request  
 Mode of operation: Continuous S1  
 Bearings: Ball bearing  
 Motorprotection: Thermal overload protector (TOP) wired internally  
 Cable: 600mm  
 Norm: EN 60335-1

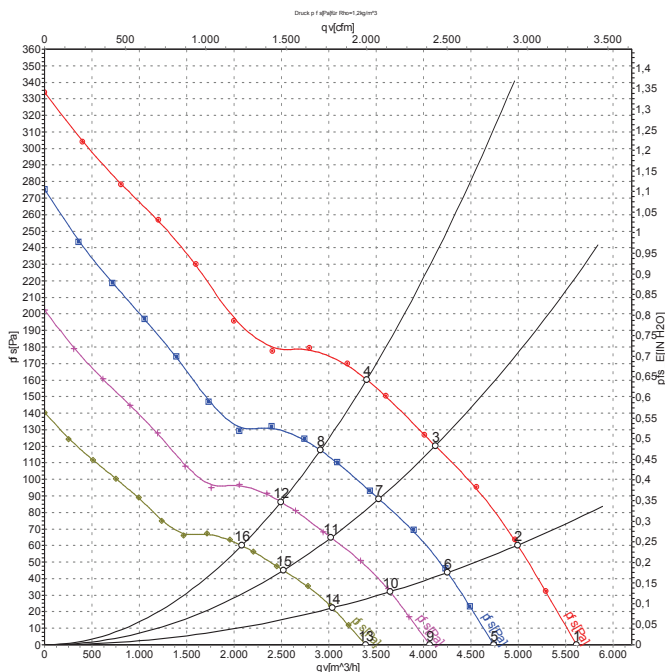
Nominal data		Voltage	Frequency	Air flow	Speed	Power consumption	Current draw	Capacitor capacity	Sound pressure level	Min. back pressure	Perm. amb. temp.	Weight
Type	Motor	VAC	Hz	m3/h	rpm	W	A	uF/V	dB ( A )	Pa	C	kg
S3G400LC2251	M3G084-FA	230	50	3700	1630	400	2.6	-	-		-25..60	5.8

Subject to modification

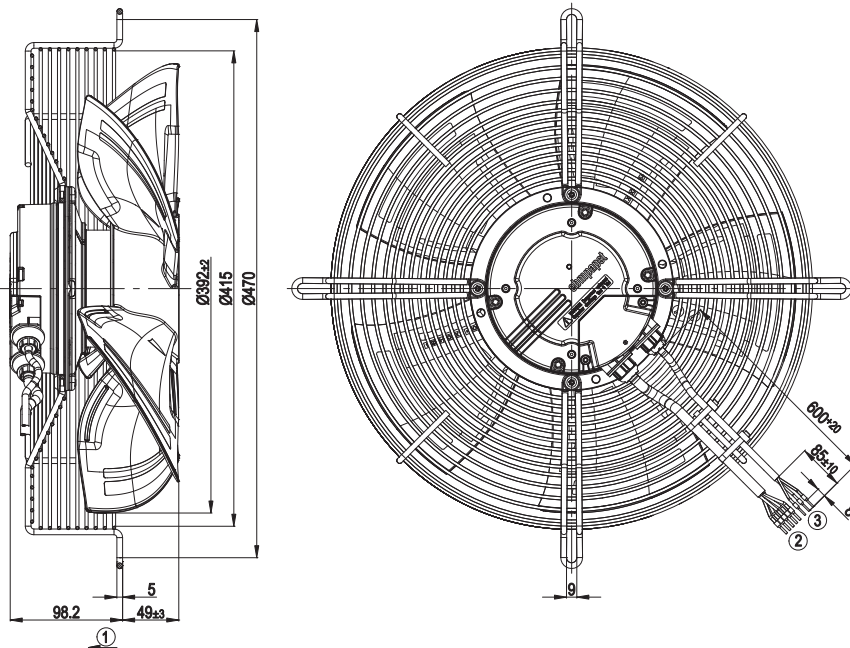
Pricing	Quantities			Accessories
	1	5-9	10>	
Product Code				Grill
S3G400LC2251	€ 373,90	€ 328,10	€ 290,00	

All prices are in euro, excluding VAT ( BTW ) Orders are shipped according to incoterms : DAP, transport costs on the basis of calculation before shipment of weight and size.  
 an extra handling fee of € 30,00 to every order with a total value of less than € 250,00 and € 15,00 to every order with a total value of € 250,00 to € 500,00 (net, excl. VAT).

### Pressure over air flow rated Voltage



### Specific drawing



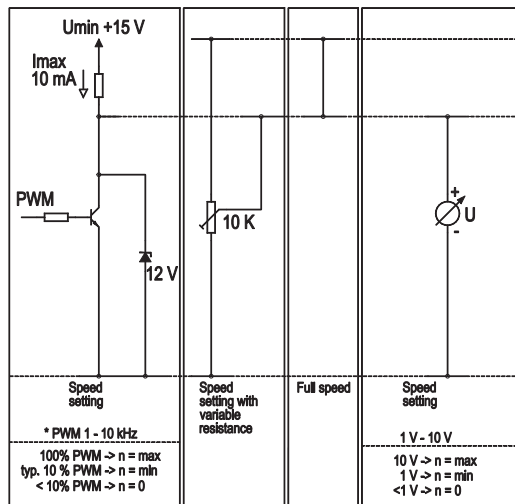
Direction of Airflow



### Connection illustration

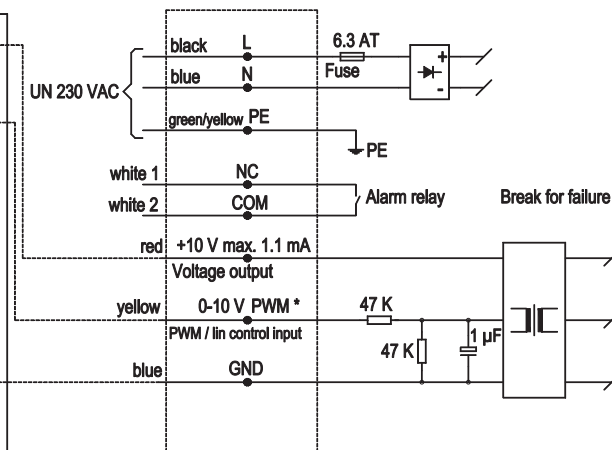
Customer circuit

Notes on various control possibilities and their applications



Connection

Fan / motor





Material : Material of blades: Press-fitted sheet steel blank, sprayed with PP Plastic  
 Material of guard grille: Steel, phosphated and coated in black plastic  
 Material of electronics housing: Die-cast aluminium, coated in black

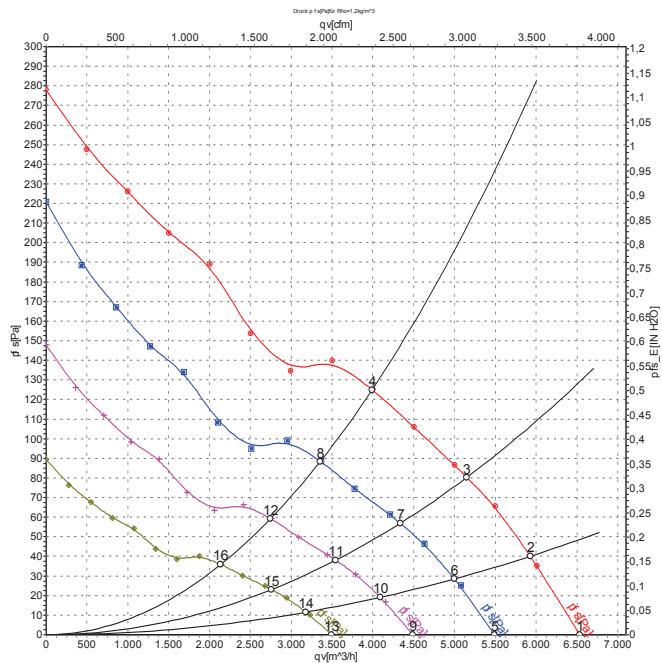
Direction of rotation Counter-clockwise, seen on rotor  
 Number of blades: 5  
 Protection: IP54  
 Isolation: B  
 Mounting position: Shaft horizontal or rotor on bottom; rotor on top on request  
 Mode of operation: Continuos S1  
 Bearings Ball bearing  
 Motorprotection Thermal overload protector (TOP) wired internally  
 Cable 600mm  
 Norm EN 61800-5-1

Nominal data		Voltage	Frequency	Air flow	Speed	Power consumption	Current draw	Capacitor capacity	Sound pressure level	Min. back pressure	Perm. amb. temp.	Weight
Type	Motor	VAC	Hz	m3/h	rpm	W	A	uF/V	dB ( A )	Pa	C	kg
S3G450LC2851	M3G084-FA	230	50	6500	1300	345	2.2	-	-	-25..60		6.74
Subject to modification												

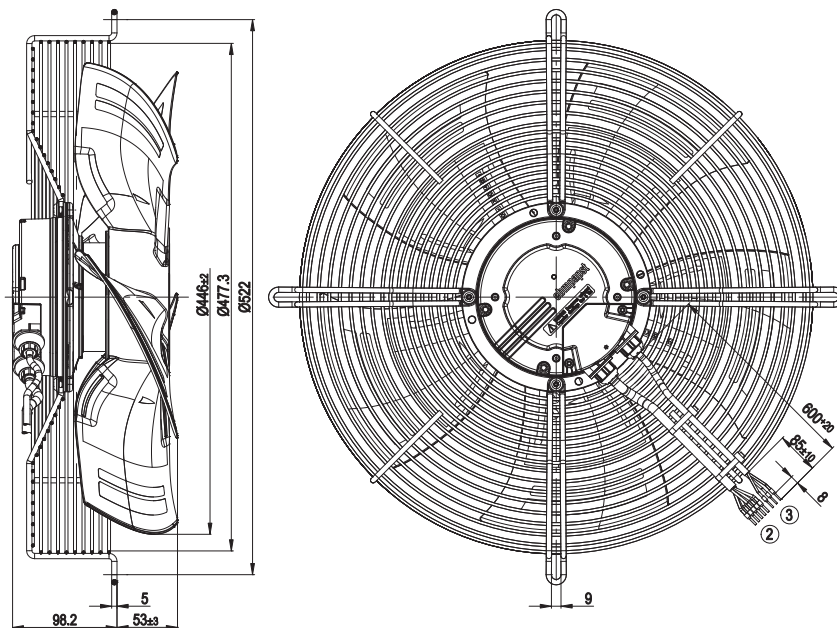
Pricing	Quantities			Accessories
	1	5-9	10>	
Product Code				Grill
S3G450LC2851	€ 388,40	€ 340,80	€ 301,20	

All prices are in euro, excluding VAT ( BTW ) Orders are shipped according to incoterms : DAP, transport costs on the basis of calculation before shipment of weight and size.  
 an extra handling fee of € 30,00 to every order with a total value of less than € 250,00 and € 15,00 to every order with a total value of € 250,00 to € 500,00 (net, excl. VAT).

### Pressure over air flow rated Voltage



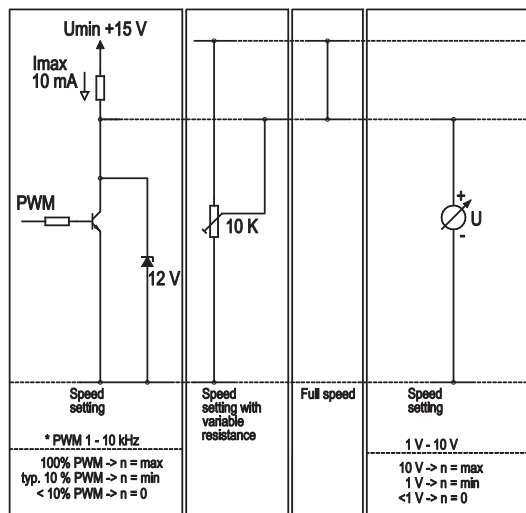
### Specific drawing



### Connection illustration

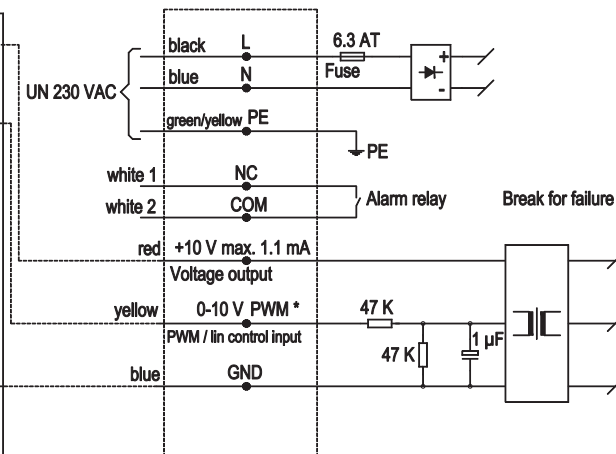
#### Customer circuit

Notes on various control possibilities and their applications



#### Connection

#### Fan / motor



### Single inlet forward curved



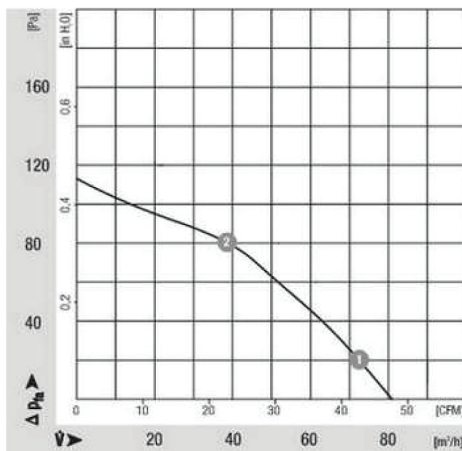
Material :	Rotor cast aluminium Wheel sendzimir steelplate
Direction of rotation	Right CW seen on rotor
Protection:	IP44
Isolation:	B
Condensate discharges	None
Mounting position:	Free
Mode of operation:	Continuos S1
Bearings	Maintenance free Ball Bearings
Motorprotection	Integrated temperatur switches
Cable	Variabel 300 mm
Norm	EN 60335-1

Nominal data		Voltage	Frequency	Air flow	Speed	Power consumption	Current draw	Capacitor capacity	Sound pressure level	Min. back pressure	Perm. amb. temp.	Weight
Type	Motor	VAC	Hz	m3/h	rpm	W	A	uF/V	dB ( A )	Pa	C	kg
G2E085AA0101	M2E042CA	230	50	80	2350	32	0,15	1/400	53	0	-25..60	0,9
Subject to modification												

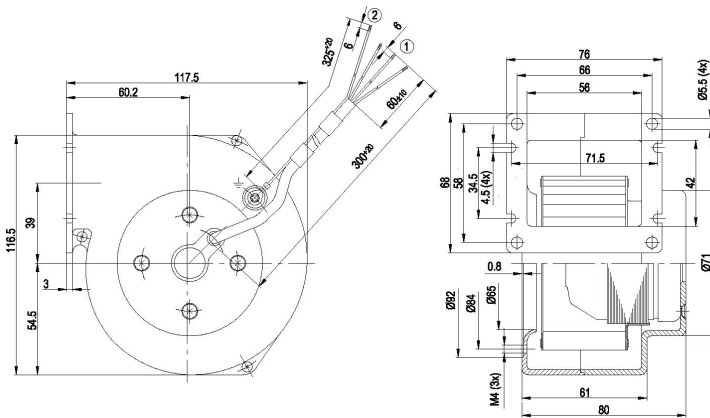
Pricing	Quantities			Accessories		
	1	5-9	10>	Capacitor	1-9	10-49
Product Code						
G2E085AA0101	€ 114,60	€ 99,60	€ 89,60	280F00031		

All prices are in euro, excluding VAT ( BTW ) Orders are shipped according to incoterms : DAP, transport costs on the basis of calculation before shipment of weight and size.  
 an extra handling fee of € 30,00 to every order with a total value of less than € 250,00 and € 15,00 to every order with a total value of € 250,00 to € 500,00 (net, excl. VAT).

#### Pressure over air flow at 50Hz

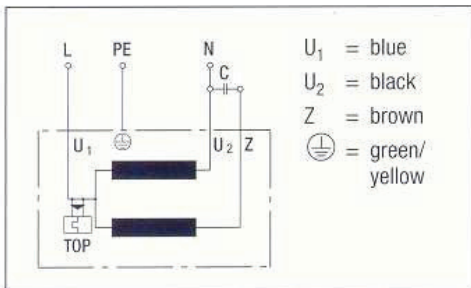


Specific drawing

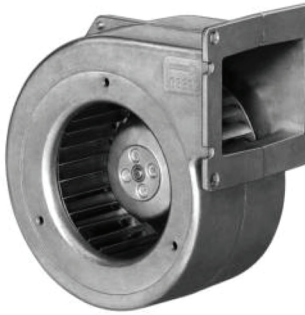


Connection illustration

Single-phase capacitor motor with TOP wired internally



### Single inlet forward curved



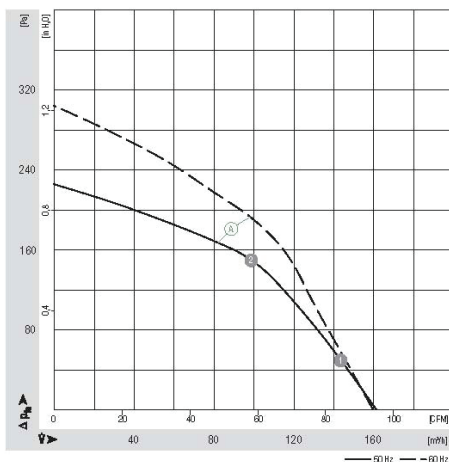
Material :	Rotor cast aluminium Wheel sendzimir steelplate
Direction of rotation	Right CW seen on rotor
Protection:	IP44
Isolation:	B
Condensate discharges	None
Mounting position:	Free,
Mode of operation:	Continuos S1
Bearings	Maintenance free Ball Bearings
Motorprotection	Integrated temperatur switches
Cable	variabel 450 mm
Norm	EN 60335-1

Nominal data		Voltage	Frequency	Air flow	Speed	Power consumption	Current draw	Capacitor capacity	Sound pressure level	Min. back pressure	Perm. amb. temp.	Weight
Type	Motor	VAC	Hz	m3/h	rpm	W	A	uF/V	dB ( A )	Pa	C	kg
G2E108AA0101	M2E042CA	230	50	160	1850	30	0,14	1,5/400	56	0	-25..60	1,3
Subject to modification												

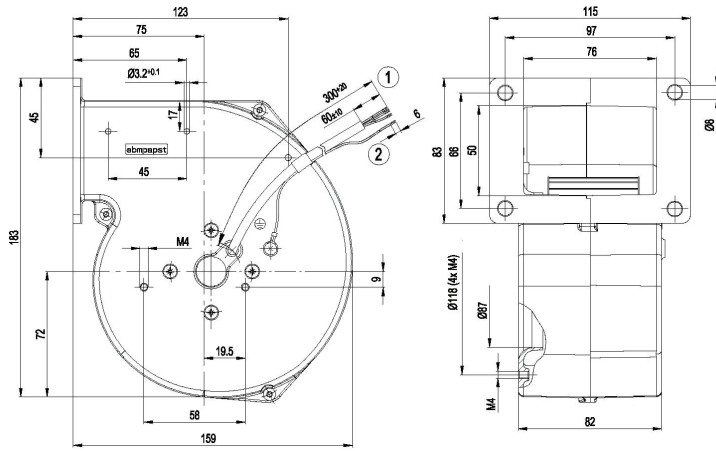
Pricing	Quantities			Accessories			
	Product Code	1	5-9	10>	Capacitor	1-9	10-49
	G2E108AA0101	€ 119,10	€ 103,60	€ 93,30	280F00032		

All prices are in euro, excluding VAT ( BTW ) Orders are shipped according to incoterms : DAP, transport costs on the basis of calculation before shipment of weight and size.  
 an extra handling fee of € 30,00 to every order with a total value of less than € 250,00 and € 15,00 to every order with a total value of € 250,00 to € 500,00 (net, excl. VAT).

#### Pressure over air flow at 50Hz

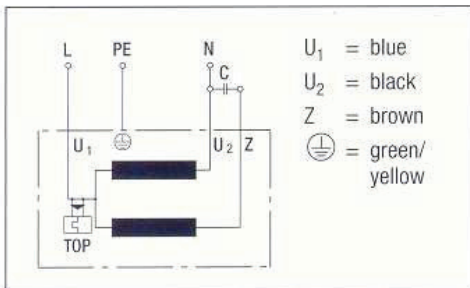


Specific drawing



Connection illustration

Single-phase capacitor motor with TOP wired internally



Single inlet forward curved



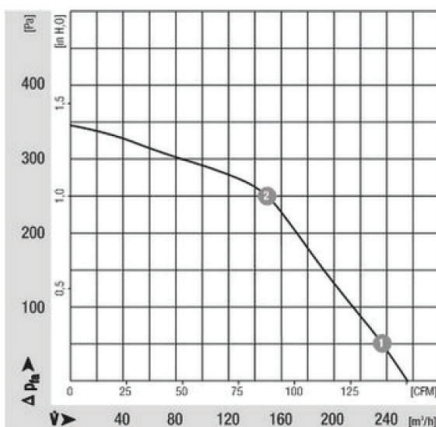
Material :	Rotor cast aluminium Wheel sendzimir steelplate
Direction of rotation	Right CW seen on rotor
Protection:	IP44
Isolation:	B
Condensate discharges	None
Mounting position:	Free
Mode of operation:	Continuos S1
Bearings	Maintenance free Ball Bearings
Motorprotection	Integrated temperatur switches
Cable	variabel 450 mm
Norm	EN 60335-1

Nominal data		Voltage	Frequency	Air flow	Speed	Power consumption	Current draw	Capacitor capacity	Sound pressure level	Min. back pressure	Perm. amb. temp.	Weight
Type	Motor	VAC	Hz	m3/h	rpm	W	A	uF/V	dB ( A )	Pa	C	kg
G2E120AR7701	M2E068BF	230	50	255	2350	80	0,35	2/400	61	0	-25..55	1,8
Subject to modification												

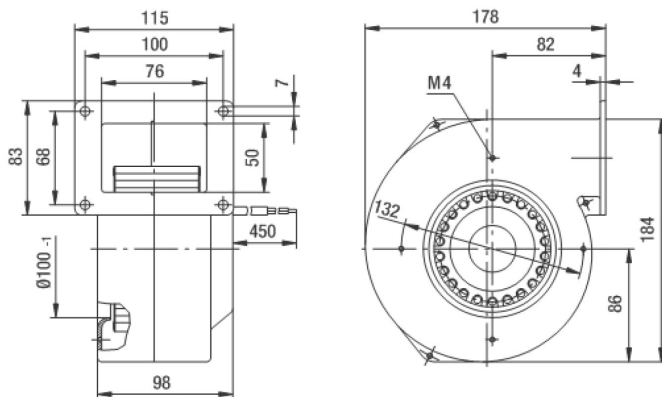
Pricing	Quantities			Accessoires			
	Product Code	1	5-9	10>	Capacitor	1-9	10-49
G2E120AR7701	€ 123,00	€ 108,00	€ 95,40	280F00033			

All prices are in euro, excluding VAT ( BTW ) Orders are shipped according to incoterms : DAP, transport costs on the basis of calculation before shipment of weight and size.  
 an extra handling fee of € 30,00 to every order with a total value of less than € 250,00 and € 15,00 to every order with a total value of € 250,00 to € 500,00 (net, excl. VAT).

### Pressure over air flow at 50Hz

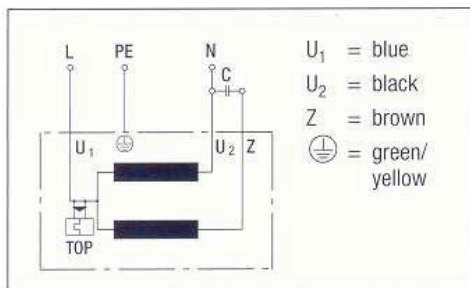


### Specific drawing

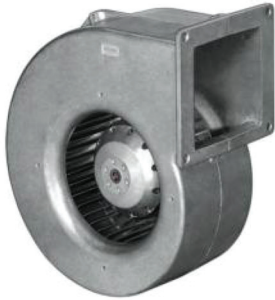


### Connection illustration

Single-phase capacitor motor with TOP wired internally



Single inlet forward curved



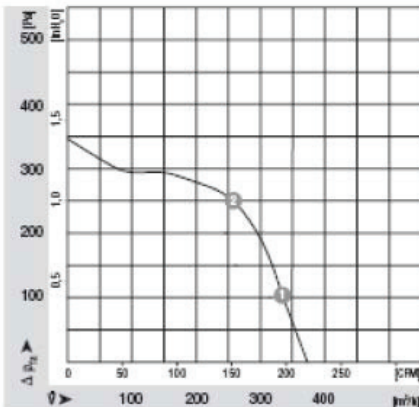
Material : Rotor cast aluminium  
 Wheel sendzimir steelplate  
 Direction of rotation right CW seen on rotor  
 Protection: IP44  
 Isolation: B  
 Condensate discharges None  
 Mounting position: Free,  
 Mode of operation: Continuos S1  
 Bearings Maintenance free Ball Bearings  
 Motorprotection Integrated temperatur switches  
 Cable Variabel 450 mm  
 Norm EN 60335-1

Nominal data		Voltage	Frequency	Air flow	Speed	Power consumption	Current draw	Capacitor capacity	Sound pressure level	Min. back pressure	Perm. amb. temp.	Weight
Type	Motor	VAC	Hz	m3/h	rpm	W	A	uF/V	dB ( A )	Pa	C	kg
G2E140AE7701	M2E068BF	230	50	370	1400	105	0,46	2/400	59	0	-25..40	2,6
Subject to modification												

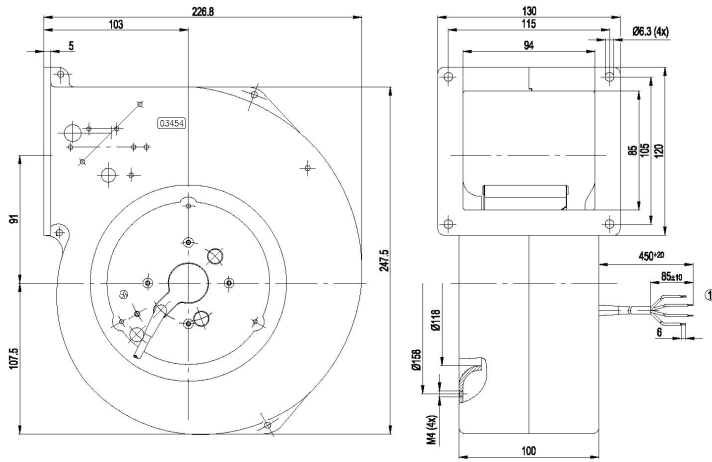
Pricing	Quantities			Accessories		
	1	5-9	10>	Capacitor	1-9	10-49
G2E140AE7701	€ 151,60	€ 131,90	€ 118,60	280F00033		

All prices are in euro, excluding VAT ( BTW ) Orders are shipped according to incoterms : DAP, transport costs on the basis of calculation before shipment of weight and size.  
 an extra handling fee of € 30,00 to every order with a total value of less than € 250,00 and € 15,00 to every order with a total value of € 250,00 to € 500,00 (net, excl. VAT).

### Pressure over air flow at 50Hz

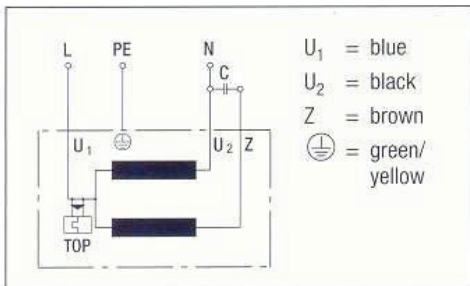


#### Specific drawing



#### Connection illustration

Single-phase capacitor motor with TOP wired internally



Single inlet forward curved



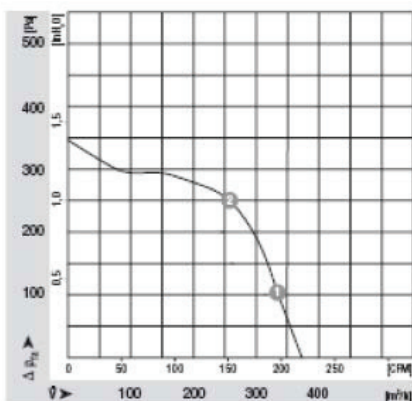
Material :	Rotor cast aluminium Wheel sendzimir steelplate
Direction of rotation	Right CW seen on rotor
Protection:	IP44
Isolation:	B
Condensate discharges	None
Mounting position:	Free
Mode of operation:	Continuos S1
Bearings	Maintenance free Ball Bearings
Motorprotection	Integrated temperatur switches
Cable	Variabel 450 mm
Norm	EN 60335-1

Nominal data		Voltage	Frequency	Air flow	Speed	Power consumption	Current draw	Capacitor capacity	Sound pressure level	Min. back pressure	Perm. amb. temp.	Weight
Type	Motor	VAC	Hz	m3/h	rpm	W	A	uF/V	dB ( A )	Pa	C	kg
R2E140AE7705	M2E068BF	230	50	370	1400	105	0,46	2/400	59	0	-25..40	1,2
Subject to modification												

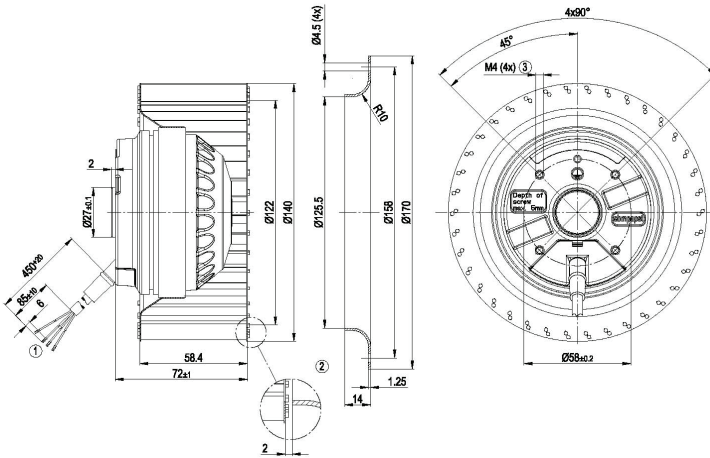
Pricing	Quantities			Accessories		
	1	5-9	10>	Capacitor	1-9	10-49
R2E140AE7705	€ 78,60	€ 68,30	€ 61,50	280F00033		

All prices are in euro, excluding VAT ( BTW ) Orders are shipped according to incoterms : DAP, transport costs on the basis of calculation before shipment of weight and size.  
 an extra handling fee of € 30,00 to every order with a total value of less than € 250,00 and € 15,00 to every order with a total value of € 250,00 to € 500,00 (net, excl. VAT).

### Pressure over air flow at 50Hz

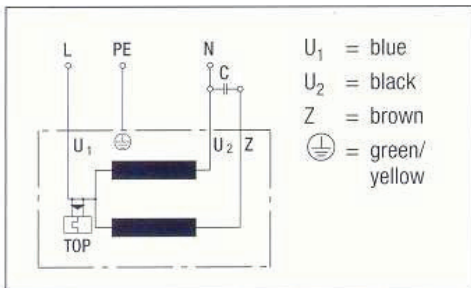


Specific drawing

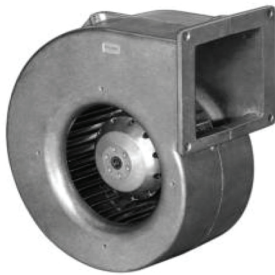


Connection illustration

Single-phase capacitor motor with TOP wired internally



### Single inlet forward curved



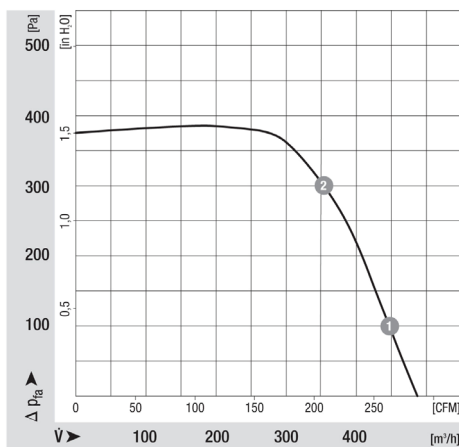
Material :	Rotor cast aluminium Wheel sendzimir steelplate
Direction of rotation	Right CW seen on rotor
Protection:	IP44
Isolation:	B
Condensate discharges	None
Mounting position:	Free
Mode of operation:	Continuos S1
Bearings	Maintenance free Ball Bearings
Motorprotection	Integrated temperatur switches
Cable	Variabel 450 mm
Norm	EN 60335-1

Nominal data		Voltage	Frequency	Air flow	Speed	Power consumption	Current draw	Capacitor capacity	Sound pressure level	Min. back pressure	Perm. amb. temp.	Weight
Type	Motor	VAC	Hz	m3/h	rpm	W	A	uF/V	dB ( A )	Pa	C	kg
G2E140AI2801	M2E068DF	230	50	485	2400	160	0,70	4/400	72	0	-25..70	3,4
Subject to modification												

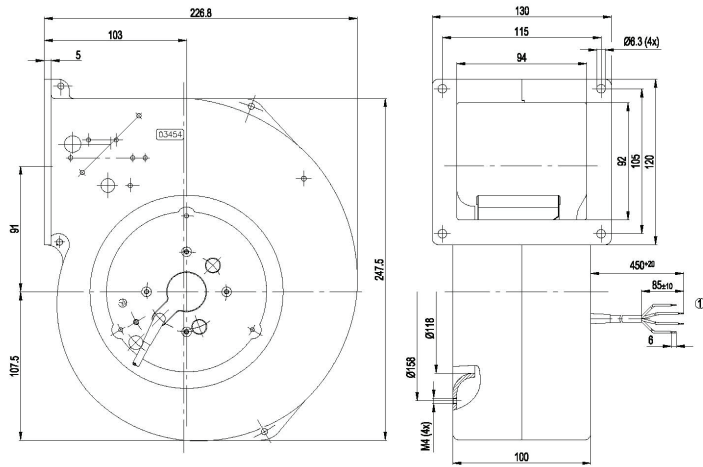
Pricing	Quantities			Accessories		
	1	5-9	10>	Capacitor	1-9	10-49
G2E140AI2801	€ 173,20	€ 150,60	€ 135,50	280F00036		

All prices are in euro, excluding VAT ( BTW ) Orders are shipped according to incoterms : DAP, transport costs on the basis of calculation before shipment of weight and size.  
 an extra handling fee of € 30,00 to every order with a total value of less than € 250,00 and € 15,00 to every order with a total value of € 250,00 to € 500,00 (net, excl. VAT).

#### Pressure over air flow at 50Hz

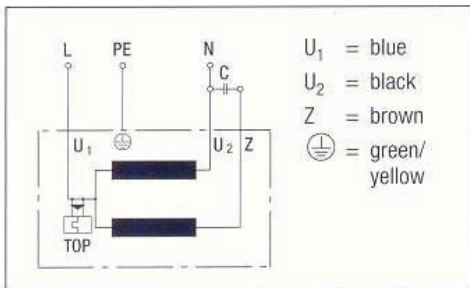


#### Specific drawing



#### Connection illustration

Single-phase capacitor motor with TOP wired internally



Single inlet forward curved



Material :	Rotor cast aluminium Wheel sendzimir steelplate
Direction of rotation	Right CW seen on rotor
Protection:	IP44
Isolation:	B
Condensate discharges	None
Mounting position:	Free
Mode of operation:	Continuos S1
Bearings	Maintenance free Ball Bearings
Motorprotection	Integrated temperatur switches
Cable	Variabel 450 mm
Norm	EN 60335-1

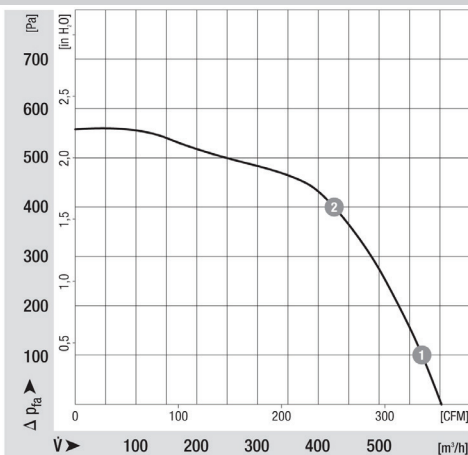
Nominal data		Voltage	Frequency	Air flow	Speed	Power consumption	Current draw	Capacitor capacity	Sound pressure level	Min. back pressure	Perm. amb. temp.	Weight
Type	Motor	VAC	Hz	m3/h	rpm	W	A	uF/V	dB ( A )	Pa	C	kg
G2E160AY5091	M2E068EC	230	50	600	2100	270	1,18	6/400	72	100	-25..60	3,9

Subject to modification

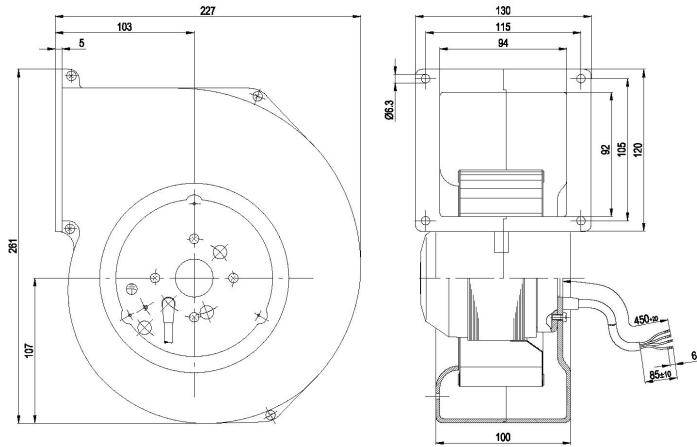
Product Code	Quantities			Accessories		
	1	5-9	10>	Capacitor	1-9	10-49
G2E160AY5091	€ 193,20	€ 168,00	€ 151,20	280F00038		

All prices are in euro, excluding VAT ( BTW ) Orders are shipped according to incoterms : DAP, transport costs on the basis of calculation before shipment of weight and size.  
 an extra handling fee of € 30,00 to every order with a total value of less than € 250,00 and € 15,00 to every order with a total value of € 250,00 to € 500,00 (net, excl. VAT).

### Pressure over air flow at 50Hz

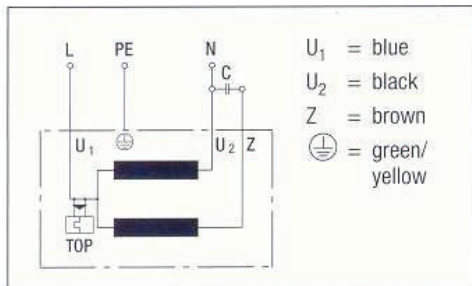


#### Specific drawing



#### Connection illustration

Single-phase capacitor motor with TOP wired internally



### Single inlet forward curved



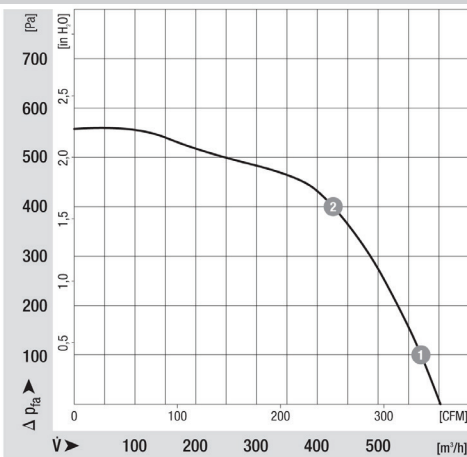
Material :	Rotor cast aluminium Wheel sendzimir steelplate
Direction of rotation	Right CW seen on rotor
Protection:	IP44
Isolation:	B
Condensate discharges	None
Mounting position:	Free
Mode of operation:	Continuos S1
Bearings	Maintenance free Ball Bearings
Motorprotection	Integrated temperatur switches
Cable	Variabel 450 mm
Norm	EN 60335-1

Nominal data		Voltage	Frequency	Air flow	Speed	Power consumption	Current draw	Capacitor capacity	Sound pressure level	Min. back pressure	Perm. amb. temp.	Weight
Type	Motor	VAC	Hz	m3/h	rpm	W	A	uF/V	dB ( A )	Pa	C	kg
R2E160AY4701	M2E068EC	230	50	600	2100	240	1,05	6/400	72	0	-25..50	2,6
Subject to modification												

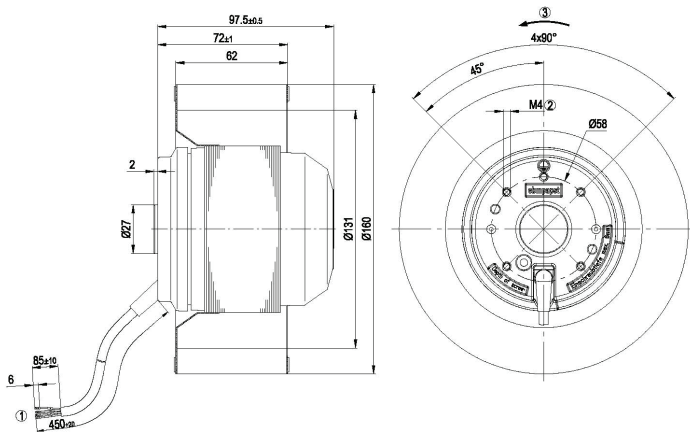
Pricing	Quantities			Accessories	
	1	5-9	10>	Capacitor	1-9 10-49
R2E160AY4701	€ 139,60	€ 121,40	€ 109,30	280F00038	

All prices are in euro, excluding VAT ( BTW ) Orders are shipped according to incoterms : DAP, transport costs on the basis of calculation before shipment of weight and size.  
 an extra handling fee of € 30,00 to every order with a total value of less than € 250,00 and € 15,00 to every order with a total value of € 250,00 to € 500,00 (net, excl. VAT).

#### Pressure over air flow at 50Hz

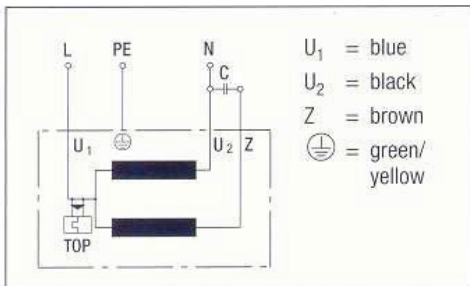


Specific drawing



Connection illustration

Single-phase capacitor motor with TOP wired internally



Single inlet forward curved



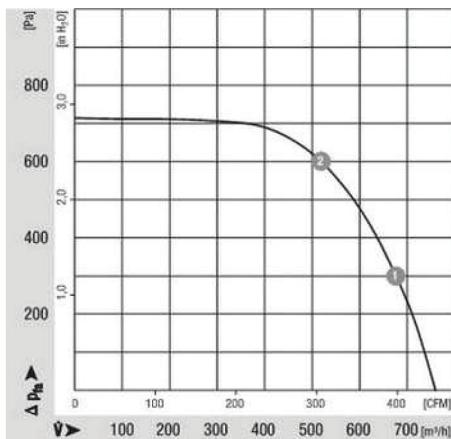
Material :	Rotor cast aluminium Wheel sendzimir steelplate
Direction of rotation	Right CW seen on rotor
Protection:	IP44
Isolation:	B
Condensate discharges	None
Mounting position:	Free,
Mode of operation:	Continuos S1
Bearings	Maintenance free Ball Bearings
Motorprotection	Integrated temperatur switches
Cable	Variabel 450 mm
Norm	EN 60335-1

Nominal data		Voltage	Frequency	Air flow	Speed	Power consumption	Current draw	Capacitor capacity	Sound pressure level	Min. back pressure	Perm. amb. temp.	Weight
Type	Motor	VAC	Hz	m3/h	rpm	W	A	uF/V	dB ( A )	Pa	C	kg
G2E180EH0301	M2E074EI	230	50	760	1950	400	1,75	8/400	73	0	-25..40	5,6
Subject to modification												

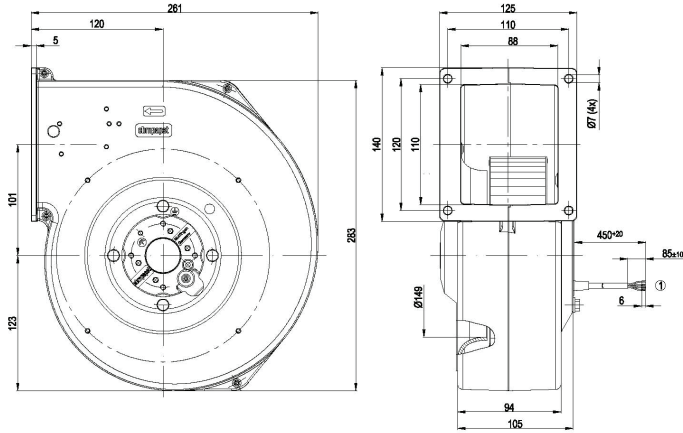
Pricing	Quantities			Accessories		
	1	5-9	10>	Capacitor	1-9	10-49
G2E180EH0301	€ 272,50	€ 237,00	€ 213,30	280F00039		

All prices are in euro, excluding VAT ( BTW ) Orders are shipped according to incoterms : DAP, transport costs on the basis of calculation before shipment of weight and size.  
 an extra handling fee of € 30,00 to every order with a total value of less than € 250,00 and € 15,00 to every order with a total value of € 250,00 to € 500,00 (net, excl. VAT).

### Pressure over air flow at 50Hz

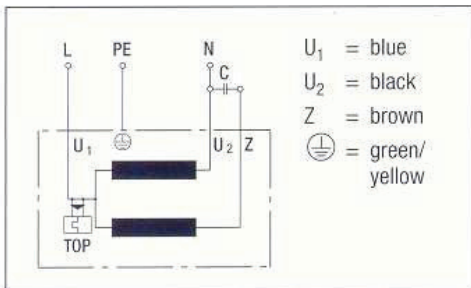


Specific drawing



Connection illustration

Single-phase capacitor motor with TOP wired internally



### Single inlet forward curved



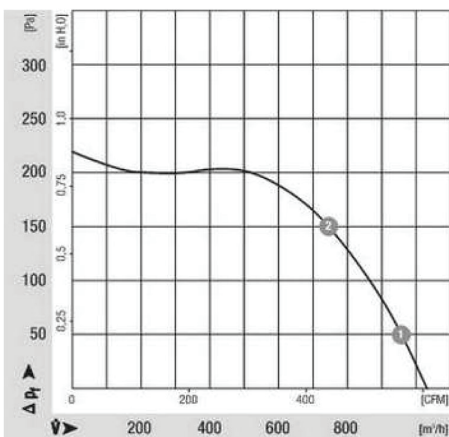
Material :	Rotor cast aluminium Wheel sendzimir steelplate
Direction of rotation	Right CW seen on rotor
Protection:	IP44
Isolation:	B
Condensate discharges	Rotor
Mounting position:	Free
Mode of operation:	Continuos S1
Bearings	Maintenance free Ball Bearings
Motorprotection	Integrated temperatur switches
Cable	Variabel 600 mm
Norm	EN 60335-1

Nominal data		Voltage	Frequency	Air flow	Speed	Power consumption	Current draw	Capacitor capacity	Sound pressure level	Min. back pressure	Perm. amb. temp.	Weight
Type	Motor	VAC	Hz	m3/h	rpm	W	A	uF/V	dB ( A )	Pa	C	kg
G4E180GS1101	M4E074DF	230	50	1030	1130	180	0,80	4/400	66	0	-25..45	6,4
Subject to modification												

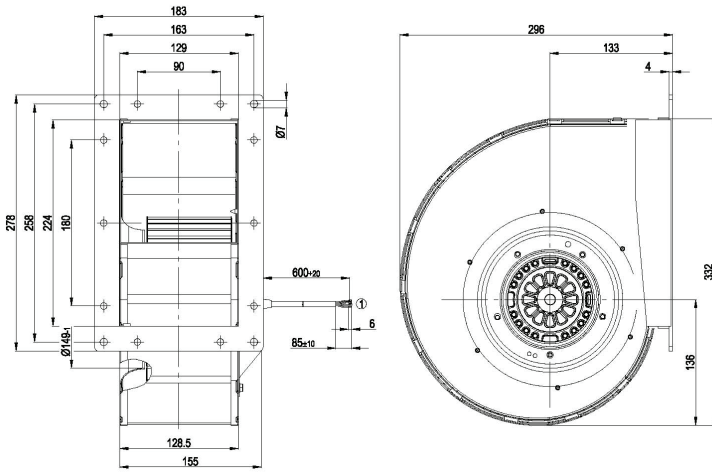
Product Code	Quantities			Accessories		
	1	5-9	10>	Capacitor	1-9	10-49
G4E180GS1101	€ 266,40	€ 231,60	€ 208,50	280F00036		

All prices are in euro, excluding VAT ( BTW ) Orders are shipped according to incoterms : DAP, transport costs on the basis of calculation before shipment of weight and size.  
 an extra handling fee of € 30,00 to every order with a total value of less than € 250,00 and € 15,00 to every order with a total value of € 250,00 to € 500,00 (net, excl. VAT).

#### Pressure over air flow at 50Hz

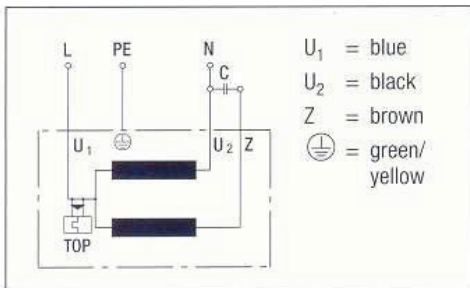


Specific drawing



Connection illustration

Single-phase capacitor motor with TOP wired internally



### Double inlet forward curved



Material :	Rotor cast aluminium Wheel sendzimir steelplate
Direction of rotation	Right CW seen on rotor
Protection:	IP20
Isolation:	B
Condensate discharges	None
Mounting position:	Free
Mode of operation:	Continuos S1
Bearings	Maintenance free Ball Bearings
Motorprotection	Integrated temperatur switches
Cable	Variabel 200 mm
Norm	EN 60335-1

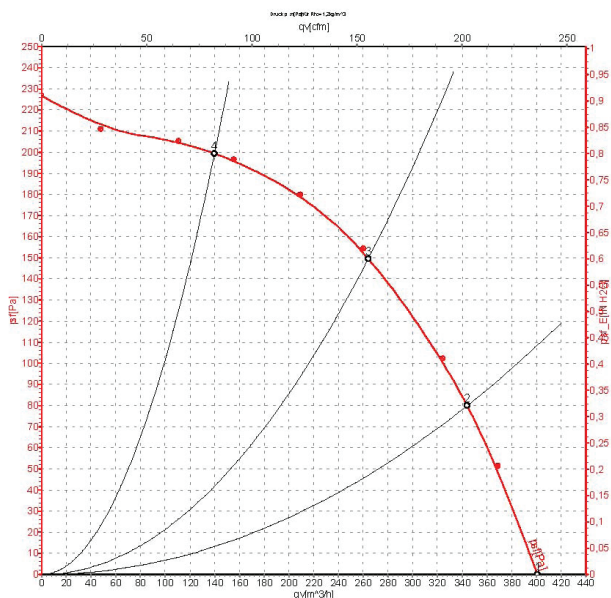
Nominal data		Voltage	Frequency	Air flow	Speed	Power consumption	Current draw	Capacitor capacity	Min. back pressure	Perm. amb. temp.	Weight
Type	Motor	VAC	Hz	m3/h	rpm	W	A	uF/V	Pa	C	kg
D2E097BK8002	M2E068	230	50	400	1750	77	0,34	2/400	0	-40..80	1,45

Subject to modification

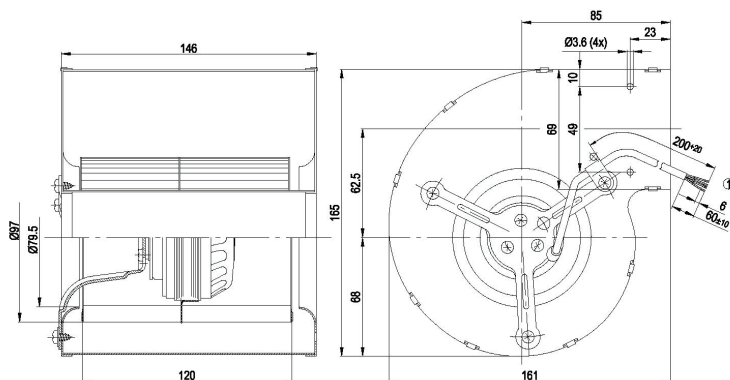
Pricing	Quantities			Accessories			
	Product Code	1	5-9	10>	Capacitor	1-9	10-49
D2E097BK8002	€ 134,00	€ 116,50	€ 104,90	280F00032			

All prices are in euro, excluding VAT ( BTW ) Orders are shipped according to incoterms : DAP, transport costs on the basis of calculation before shipment of weight and size.  
 an extra handling fee of € 30,00 to every order with a total value of less than € 250,00 and € 15,00 to every order with a total value of € 250,00 to € 500,00 (net, excl. VAT).

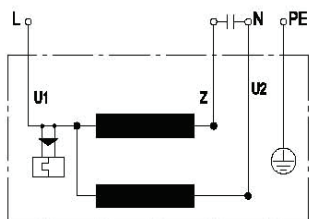
### Pressure over air flow at 50Hz



Specific drawing



Connection illustration



U1	blue	Z	brown	U2	black
PE	green/yellow				



Material : Material of impeller Sheet steel, hot-galvanised  
 Housing material Sheet steel, hot-galvanised  
 Direction of rotation Counter-clockwise, seen on rotor  
 Protection: IP44, depending on installation and position  
 Isolation: B  
 Mounting position: Any  
 Mode of operation: Continuiuos S1  
 Bearings Ball bearing  
 Motorprotection Thermal overload protector (TOP) wired internally  
 Cable 250mm  
 Norm EN 60335-1

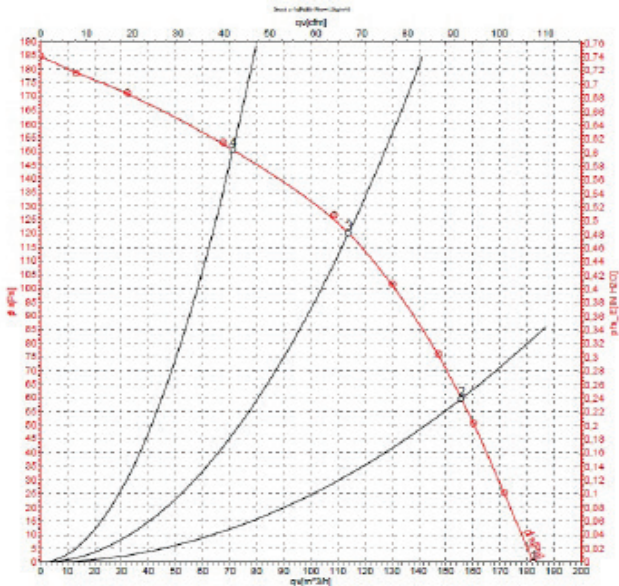
Nominal data		Voltage	Frequency	Air flow	Speed	Power consumption	Current draw	Capacitor capacity	Sound pressure level	Min. back pressure	Perm. amb. temp.	Weight
Type	Motor	VAC	Hz	m3/h	rpm	W	A	uF/V	dB ( A )	Pa	C	kg
D2E097CB0102	M2E042-CA	230	50	180	1650	42	0.19	1,5	-	0	-25..50	1.1

Subject to modification

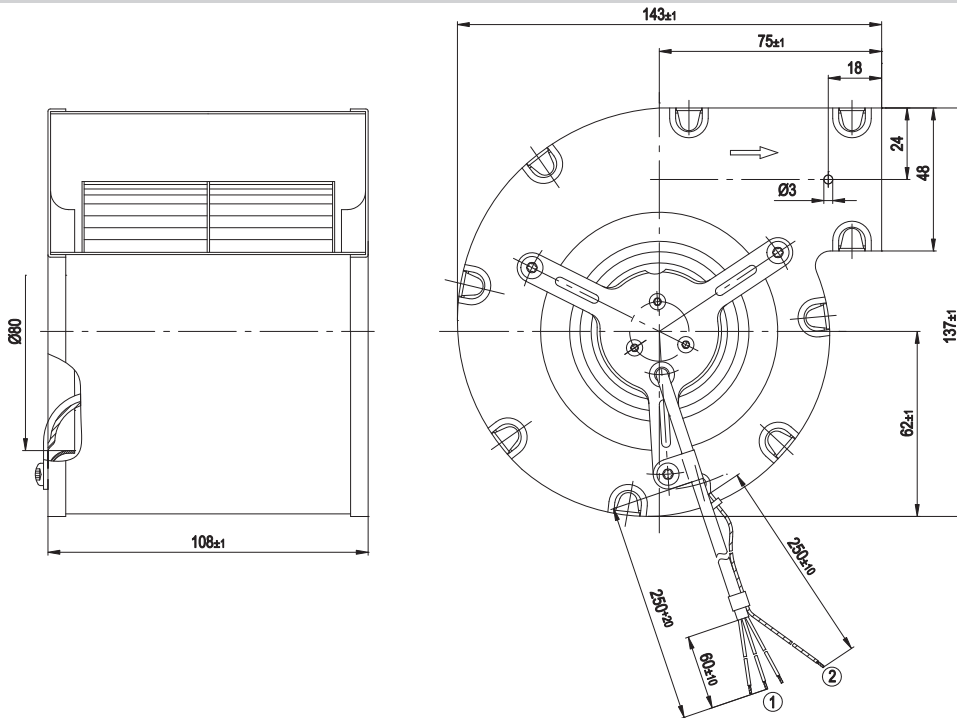
Pricing	Quantities			Accessories
	1	5-9	10>	Grill
D2E097CB0102	€ 104,60	€ 91,00	€ 81,90	

All prices are in euro, excluding VAT ( BTW ) Orders are shipped according to incoterms : DAP, transport costs on the basis of calculation before shipment of weight and size.  
 an extra handling fee of € 30,00 to every order with a total value of less than € 250,00 and € 15,00 to every order with a total value of € 250,00 to € 500,00 (net, excl. VAT).

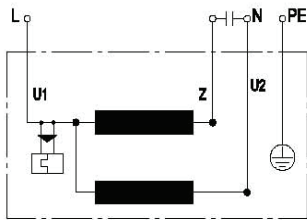
### Pressure over air flow rated Voltage



#### Specific drawing



#### Connection illustration



U1	blue	Z	brown	U2	black
PE	green/yellow				

### Double inlet forward curved



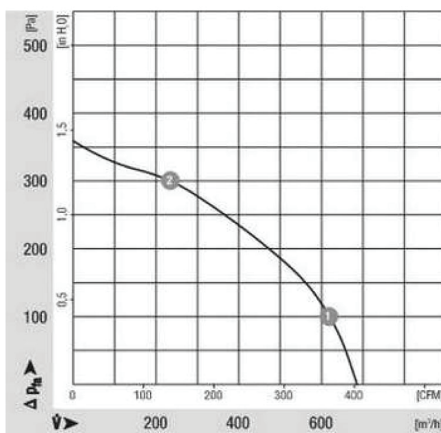
Material :	Rotor cast aluminium Wheel sendzimir steelplate
Direction of rotation	Right CW seen on rotor
Protection:	IP44
Isolation:	B
Condensate discharges	None
Mounting position:	Free
Mode of operation:	Continuos S1
Bearings	Maintenance free Ball Bearings
Motorprotection	Integrated temperatur switches
Cable	Variabel 450 mm
Norm	EN 60335-1

Nominal data		Voltage	Frequency	Air flow	Speed	Power consumption	Current draw	Capacitor capacity	Sound pressure level	Min. back pressure	Perm. amb. temp.	Weight
Type	Motor	VAC	Hz	m3/h	rpm	W	A	uF/V	dB ( A )	Pa	C	kg
D2E133AM4701	M2E068DF	230	50	685	1500	190	0,84	3/400	59	0	-25..45	3,5
Subject to modification												

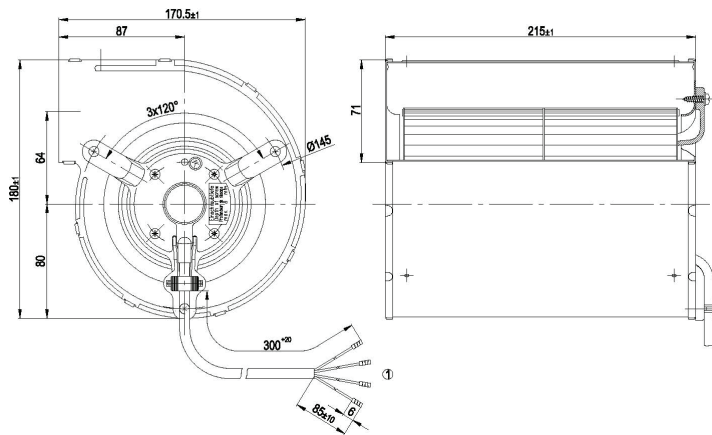
Pricing	Quantities			Accessories			
	Product Code	1	5-9	10>	Capacitor	1-9	10-49
D2E133AM4701	€ 155,60	€ 135,30	€ 121,70	280F00035			

All prices are in euro, excluding VAT ( BTW ) Orders are shipped according to incoterms : DAP, transport costs on the basis of calculation before shipment of weight and size.  
 an extra handling fee of € 30,00 to every order with a total value of less than € 250,00 and € 15,00 to every order with a total value of € 250,00 to € 500,00 (net, excl. VAT).

#### Pressure over air flow at 50Hz

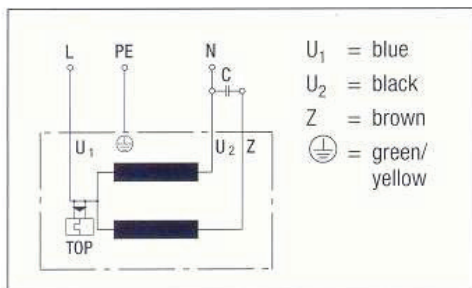


#### Specific drawing

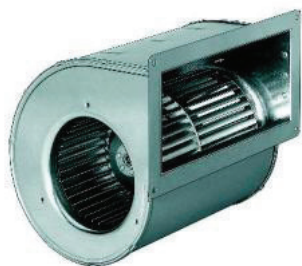


#### Connection illustration

Single-phase capacitor motor with TOP wired internally



### Double inlet forward curved



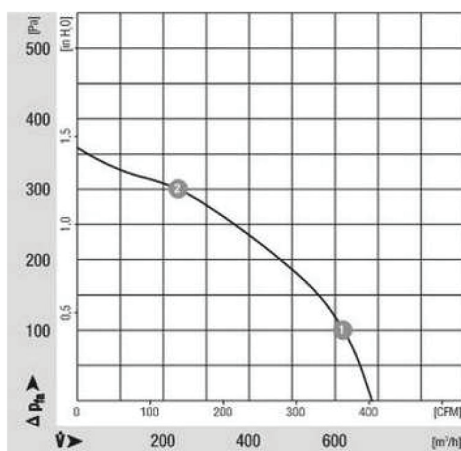
Material :	Rotor cast aluminium Wheel sendzimir steelplate
Direction of rotation	Right CW seen on rotor
Protection:	IP44
Isolation:	B
Condensate discharges	None
Mounting position:	Free
Mode of operation:	Continuos S1
Bearings	Maintenance free Ball Bearings
Motorprotection	Integrated temperatur switches
Cable	Variabel 450 mm
Norm	EN 60335-1

Nominal data		Voltage	Frequency	Air flow	Speed	Power consumption	Current draw	Capacitor capacity	Sound pressure level	Min. back pressure	Perm. amb. temp.	Weight
Type	Motor	VAC	Hz	m3/h	rpm	W	A	uF/V	dB ( A )	Pa	C	kg
D2E133AM4723	M2E068DF	230	50	685	1500	190	0,84	3/400	59	0	-25..45	3,5
Subject to modification												

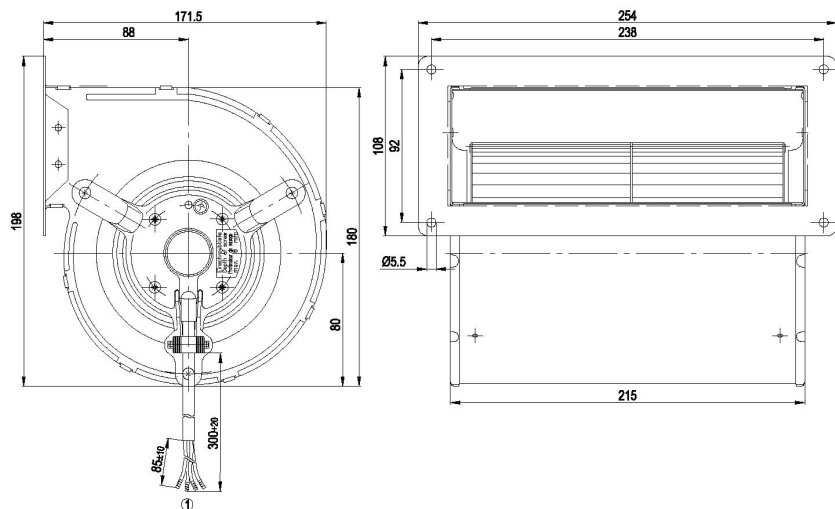
Pricing	Quantities			Accessories	
	1	5-9	10>	Capacitor	1-9 10-49
D2E133AM4723	€ 168,00	€ 146,00	€ 131,50	280F00035	

All prices are in euro, excluding VAT ( BTW ) Orders are shipped according to incoterms : DAP, transport costs on the basis of calculation before shipment of weight and size.  
 an extra handling fee of € 30,00 to every order with a total value of less than € 250,00 and € 15,00 to every order with a total value of € 250,00 to € 500,00 (net, excl. VAT).

### Pressure over air flow at 50Hz

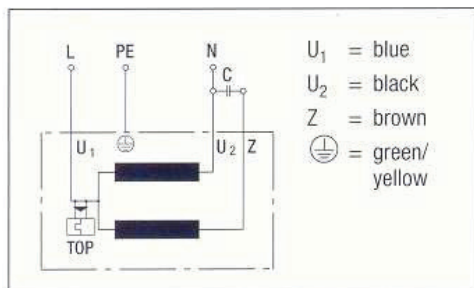


#### Specific drawing



#### Connection illustration

Single-phase capacitor motor with TOP wired internally



### Double inlet forward curved



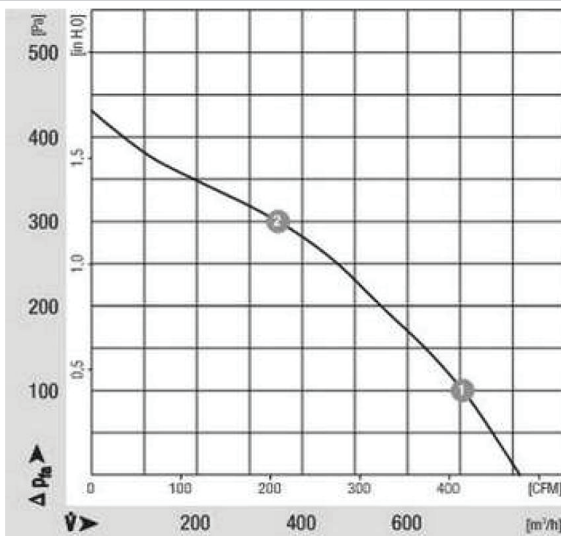
Material :	Rotor cast aluminium Wheel sendzimir steelplate
Direction of rotation:	Right CW seen on rotor
Protection:	IP44
Isolation:	B
Condensate discharges:	None
Mounting position:	Free,
Mode of operation:	Continuos S1
Bearings	Maintenance free Ball Bearings
Motorprotection	Integrated temperatur switches
Cable	Variabel 300 mm
Norm	EN 60335-1, ERP 2015

Nominal data		Voltage	Frequency	Air flow	Speed	Power consumption	Current draw	Capacitor capacity	Sound pressure level	Min. back pressure	Perm. amb. temp.	Weight
Type	Motor	VAC	Hz	m3/h	rpm	W	A	uF/V	dB ( A )	Pa	C	kg
D2E133DM4701	M2E068DF	230	50	810	1150	190	0,84	3/400	56	0	-25..40	4,4
Subject to modification												

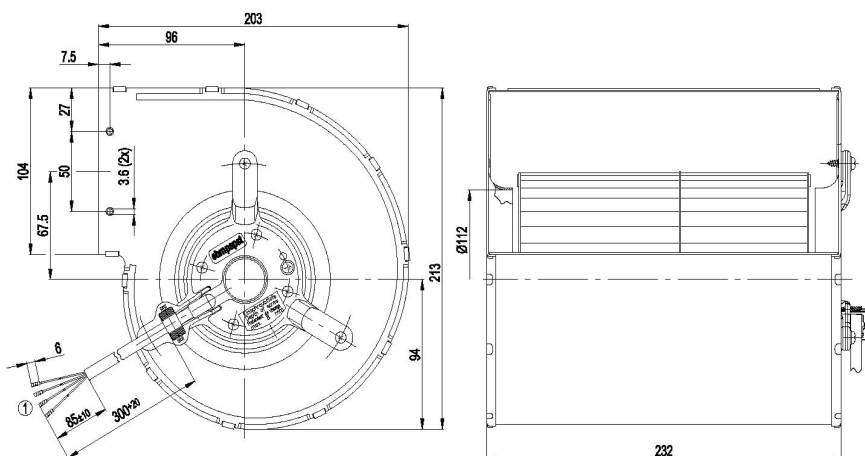
Pricing	Quantities			Accessories			
	Product Code	1	5-9	10>	Capacitor	1-9	10-49
D2E133DM4701	€ 155,60	€ 135,30	€ 121,70	280F00035			

All prices are in euro, excluding VAT ( BTW ) Orders are shipped according to incoterms : DAP, transport costs on the basis of calculation before shipment of weight and size.  
 an extra handling fee of € 30,00 to every order with a total value of less than € 250,00 and € 15,00 to every order with a total value of € 250,00 to € 500,00 (net, excl. VAT).

### Pressure over air flow at 50Hz

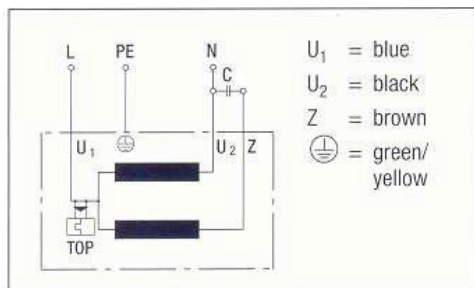


#### Specific drawing



#### Connection illustration

Single-phase capacitor motor with TOP wired internally



### Double inlet forward curved



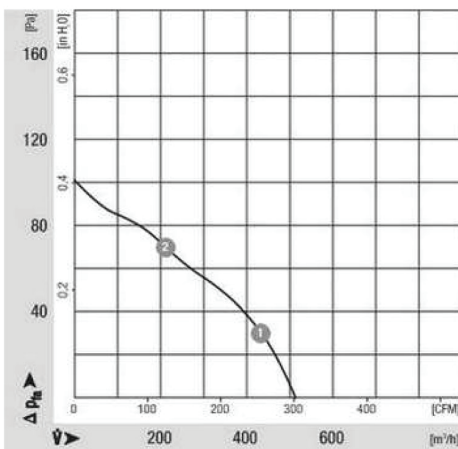
Material :	Rotor cast aluminium Wheel sendzimir steelplate
Direction of rotation	Right CW seen on rotor
Protection:	IP44
Isolation:	B
Condensate discharges	None
Mounting position:	Free
Mode of operation:	Continuos S1
Bearings	Maintenance free Ball Bearings
Motorprotection	Integrated temperatur switches
Cable	Variabel 300 mm
Norm	EN 60335-1

Nominal data		Voltage	Frequency	Air flow	Speed	Power consumption	Current draw	Capacitor capacity	Sound pressure level	Min. back pressure	Perm. amb. temp.	Weight
Type	Motor	VAC	Hz	m3/h	rpm	W	A	uF/V	dB ( A )	Pa	C	kg
D4E133AH0155	M4E068BF	230	50	510	1180	70	0,32	2/400	52	0	-25..40	2,6
Subject to modification												

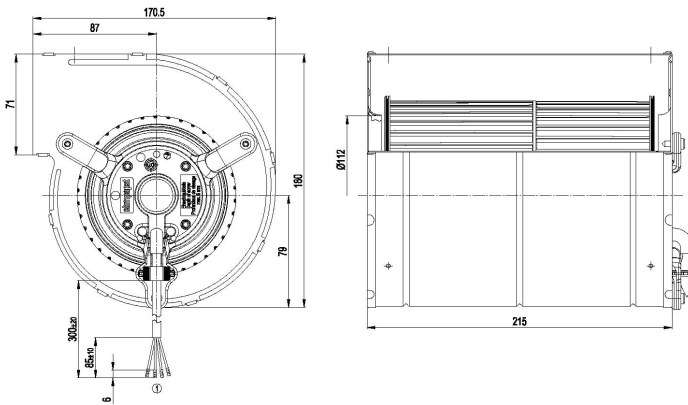
Pricing	Quantities			Accessories		
	1	5-9	10>	Capacitor	1-9	10-49
D4E133AH0155	€ 109,10	€ 94,90	€ 85,40	280F00033		

All prices are in euro, excluding VAT ( BTW ) Orders are shipped according to incoterms : DAP, transport costs on the basis of calculation before shipment of weight and size.  
 an extra handling fee of € 30,00 to every order with a total value of less than € 250,00 and € 15,00 to every order with a total value of € 250,00 to € 500,00 (net, excl. VAT).

#### Pressure over air flow at 50Hz

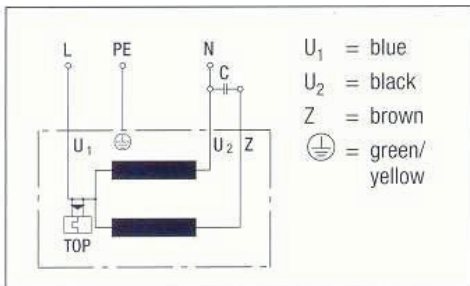


#### Specific drawing



#### Connection illustration

Single-phase capacitor motor with TOP wired internally



### Double inlet forward curved



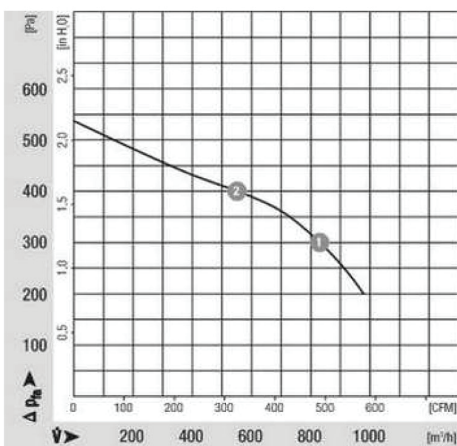
Material :	Rotor cast aluminium Wheel sendzimir steelplate
Direction of rotation	Left CCW seen on rotor
Protection:	IP44
Isolation:	B
Condensate discharges	None
Mounting position:	Free
Mode of operation:	Continuos S1
Bearings	Maintenance free Ball Bearings
Motorprotection	Integrated temperatur switches
Cable	Variabel 350 mm
Norm	EN 60335-1

Nominal data		Voltage	Frequency	Air flow	Speed	Power consumption	Current draw	Capacitor capacity	Sound pressure level	Min. back pressure	Perm. amb. temp.	Weight
Type	Motor	VAC	Hz	m3/h	rpm	W	A	uF/V	dB ( A )	Pa	C	kg
D2E146AP4722	M2E068EC	230	50	970	2050	300	1,32	8/400	63	200	-25..40	4,2
Subject to modification												

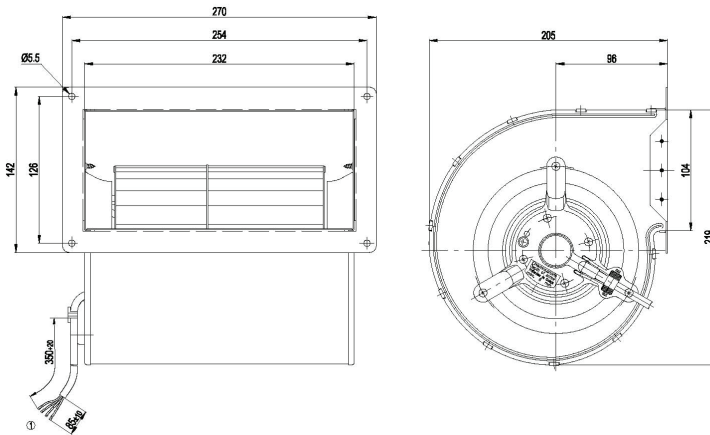
Pricing	Quantities			Accessories		
	1	5-9	10>	Capacitor	1-9	10-49
D2E146AP4722	€ 255,10	€ 221,80	€ 199,70	280F00039		

All prices are in euro, excluding VAT ( BTW ) Orders are shipped according to incoterms : DAP, transport costs on the basis of calculation before shipment of weight and size.  
 an extra handling fee of € 30,00 to every order with a total value of less than € 250,00 and € 15,00 to every order with a total value of € 250,00 to € 500,00 (net, excl. VAT).

### Pressure over air flow at 50Hz

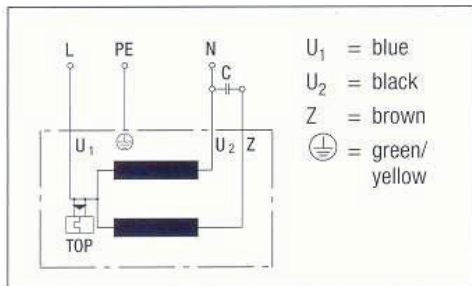


#### Specific drawing



#### Connection illustration

Single-phase capacitor motor with TOP wired internally



### Double inlet forward curved



Material :	Rotor cast aluminium Wheel sendzimir steelplate
Direction of rotation	Right CW seen on rotor
Protection:	IP20
Isolation:	F
Condensate discharges	None
Mounting position:	Horizontal axis
Mode of operation:	Continuos S1
Bearings	Maintenance free Bearings
Motorprotection	Integrated temperatur switches
Cable	Connector
Norm	EN 60335-1

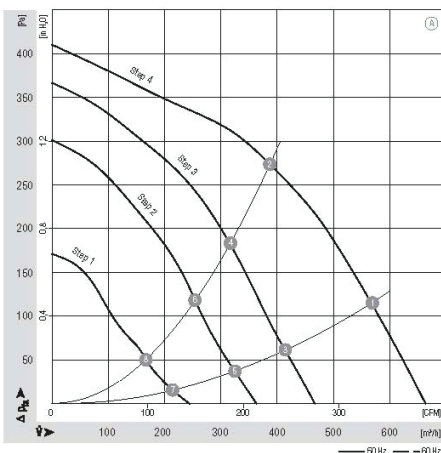
Nominal data		Voltage	Frequency	Air flow	Speed	Power consumption	Current draw	Capacitor capacity	Sound pressure level	Min. back pressure	Perm. amb. temp.	Weight
Type	Motor	VAC	Hz	m3/h	rpm	W	A	uF/V	dB ( A )	Pa	C	kg
D2E146HS9701	M2E068DF	230	50	725	1450	200	0,88	5/400	58	0	-25..50	3,5

Subject to modification

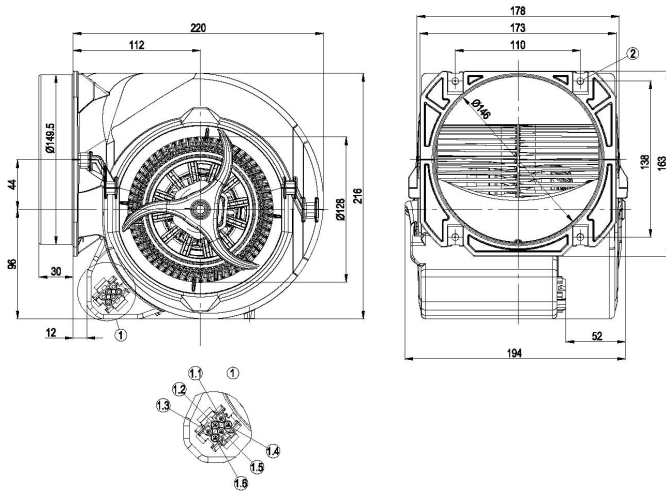
Pricing	Quantities			Accessories				
	1	5-9	10>	Cable	1-4	5-9	10>	Capacitor
D2E146HS9701	€ 118,40	€ 102,90	€ 92,60	21956-4-1040	4,20	3,70	3,30	Integrated

All prices are in euro, excluding VAT ( BTW ) Orders are shipped according to incoterms : DAP, transport costs on the basis of calculation before shipment of weight and size.  
 an extra handling fee of € 30,00 to every order with a total value of less than € 250,00 and € 15,00 to every order with a total value of € 250,00 to € 500,00 (net, excl. VAT).

### Pressure over air flow at 50Hz



#### Specific drawing



#### Connection illustration

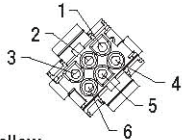
##### View X

AMP Universal Mate-N-Lok coded plug system

Connector shell: AMP 926 682-3

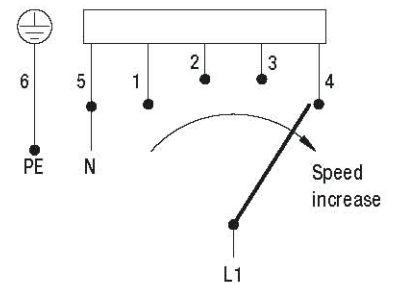
6 x plug pin: AMP 926 886-1

- |                      |              |
|----------------------|--------------|
| 1 = Step 1 (min.)    | white        |
| 2 = Step 2           | red          |
| 3 = Step 3           | grey         |
| 4 = Step 4 (max.)    | black        |
| 5 = N                | blue         |
| 6 = Protective earth | green/yellow |



##### Electrical connection:

When changing speeds, switch must break the circuit



### Double inlet forward curved



Material :	Rotor cast aluminium Wheel sendzimir steelplate
Direction of rotation	Right CW seen on rotor
Protection:	IP20
Isolation:	F
Condensate discharges	None
Mounting position:	Free
Mode of operation:	Continuos S1
Bearings	Maintenance free Bearings
Motorprotection	Integrated temperatur switches
Cable	Connector
Norm	EN 60335-1, ERP 2015

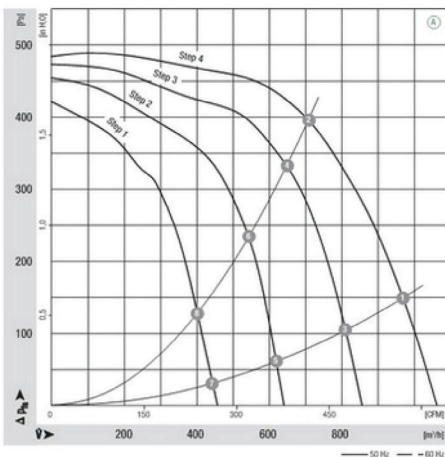
Nominal data		Voltage	Frequency	Air flow	Speed	Power consumption	Current draw	Capacitor capacity	Sound pressure level	Min. back pressure	Perm. amb. temp.	Weight
Type	Motor	VAC	Hz	m3/h	rpm	W	A	uF/V	dB ( A )	Pa	C	kg
D2E146HT6702	M2E068EC	230	50	1060	1850	355	1,55	8/400	66	0	-25..50	3,6

Subject to modification

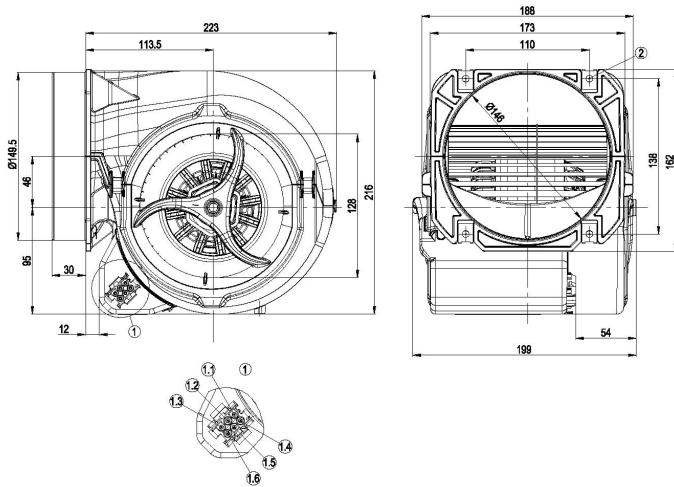
Pricing	Quantities			Accessories				
	1	5-9	10>	Cable	1-4	5-9	10>	Capacitor
D2E146HT6702	€ 117,60	€ 103,20	€ 91,20	21956-4-1040	4,20	3,70	3,30	Integrated

All prices are in euro, excluding VAT ( BTW ) Orders are shipped according to incoterms : DAP, transport costs on the basis of calculation before shipment of weight and size.  
 an extra handling fee of € 30,00 to every order with a total value of less than € 250,00 and € 15,00 to every order with a total value of € 250,00 to € 500,00 (net, excl. VAT).

#### Pressure over air flow at 50Hz



#### Specific drawing

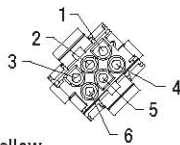


#### Connection illustration

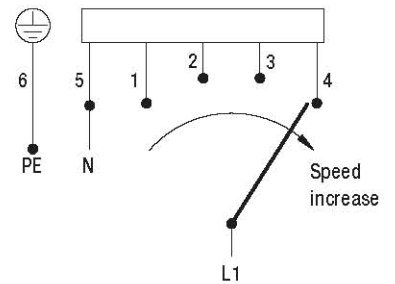
##### View X

AMP Universal Mate-N-Lok coded plug system  
 Connector shell: AMP 926 682-3  
 6 x plug pin: AMP 926 886-1

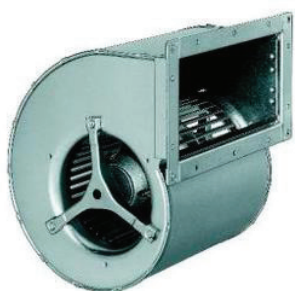
- 1 = Step 1 (min.) white
- 2 = Step 2 red
- 3 = Step 3 grey
- 4 = Step 4 (max.) black
- 5 = N blue
- 6 = Protective earth green/yellow



**Electrical connection:**  
 When changing speeds,  
 switch must break the  
 circuit



### Double inlet forward curved



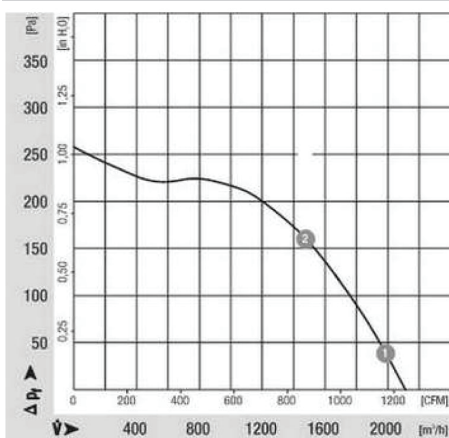
Material :	Rotor cast aluminium Wheel sendzimir steelplate
Direction of rotation	Right CW seen on rotor
Protection:	IP44
Isolation:	F
Condensate discharges	None
Mounting position:	Free
Mode of operation:	Continuos S1
Bearings	Maintenance free Ball Bearings
Motorprotection	Integrated temperatur switches
Cable	Variabel 450 mm
Norm	EN 60335-1

Nominal data		Voltage	Frequency	Air flow	Speed	Power consumption	Current draw	Capacitor capacity	Sound pressure level	Min. back pressure	Perm. amb. temp.	Weight
Type	Motor	VAC	Hz	m3/h	rpm	W	A	uF/V	dB ( A )	Pa	C	kg
D4E180CA0226	M4E068LA	230	50	2110	1250	380	1,68	10/400	64	0	-25..60	10,8
Subject to modification												

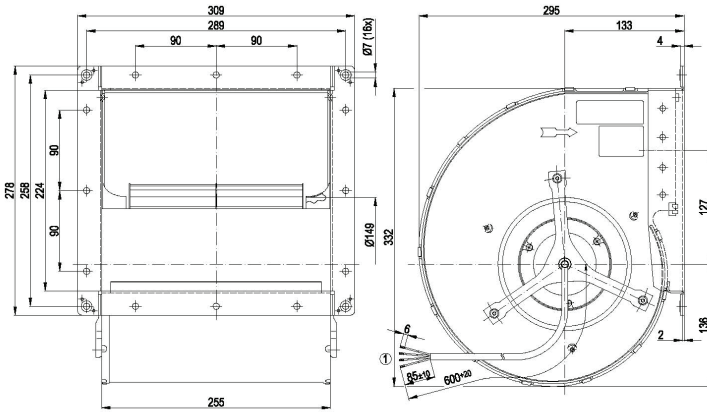
Pricing	Quantities			Accessories			
	Product Code	1	5-9	10>	Capacitor	1-9	10-49
	D4E180CA0226	€ 424,60	€ 369,20	€ 332,20	280F00040		

All prices are in euro, excluding VAT ( BTW ) Orders are shipped according to incoterms : DAP, transport costs on the basis of calculation before shipment of weight and size.  
 an extra handling fee of € 30,00 to every order with a total value of less than € 250,00 and € 15,00 to every order with a total value of € 250,00 to € 500,00 (net, excl. VAT).

#### Pressure over air flow at 50Hz

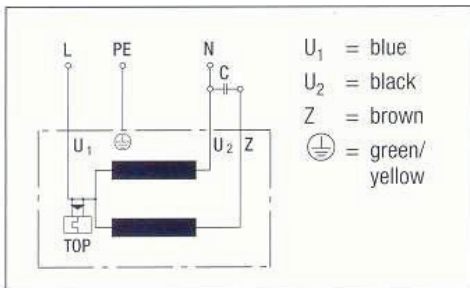


Specific drawing

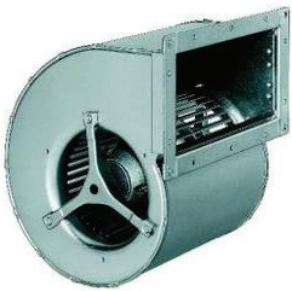


Connection illustration

Single-phase capacitor motor with TOP wired internally



#### Double inlet forward curved



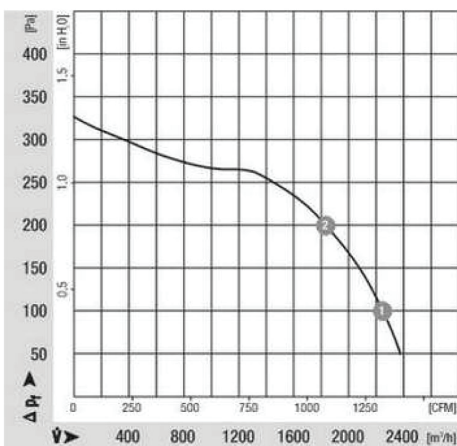
Material :	Rotor cast aluminium Wheel sendzimir steelplate
Direction of rotation	Right CCW seen on rotor
Protection:	IP54
Isolation:	B
Condensate discharges	None
Mounting position:	Free
Mode of operation:	Continuos S1
Bearings	Maintenance free Ball Bearings
Motorprotection	Integrated temperatur switches
Cable	Variabel 600 mm
Norm	EN 60335-1

Nominal data		Voltage	Frequency	Air flow	Speed	Power consumption	Current draw	Capacitor capacity	Sound pressure level	Min. back pressure	Perm. amb. temp.	Weight
Type	Motor	VAC	Hz	m3/h	rpm	W	A	uF/V	dB ( A )	Pa	C	kg
D4E200CA0202	M4E068LA	230	50	2380	1100	490	2,15	10/400	60	50	-25..40	11,9
Subject to modification												

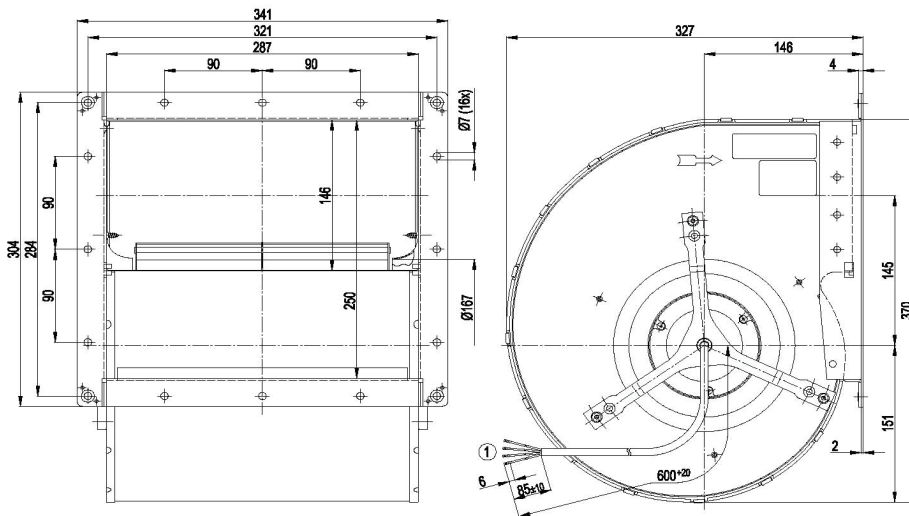
Pricing	Quantities			Accessories		
	1	5-9	10>	Capacitor	1-9	10-49
D4E200CA0202	€ 454,00	€ 394,80	€ 355,20	280F00040		

All prices are in euro, excluding VAT ( BTW ) Orders are shipped according to incoterms : DAP, transport costs on the basis of calculation before shipment of weight and size.  
 an extra handling fee of € 30,00 to every order with a total value of less than € 250,00 and € 15,00 to every order with a total value of € 250,00 to € 500,00 (net, excl. VAT).

#### Pressure over air flow at 50Hz

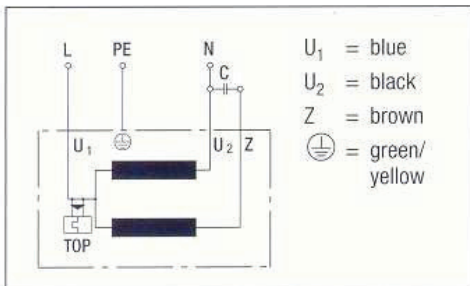


#### Specific drawing

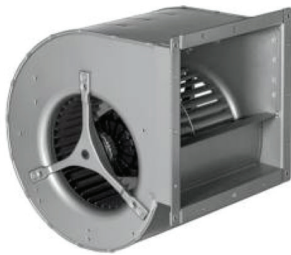


#### Connection illustration

Single-phase capacitor motor with TOP wired internally



### Double inlet forward curved



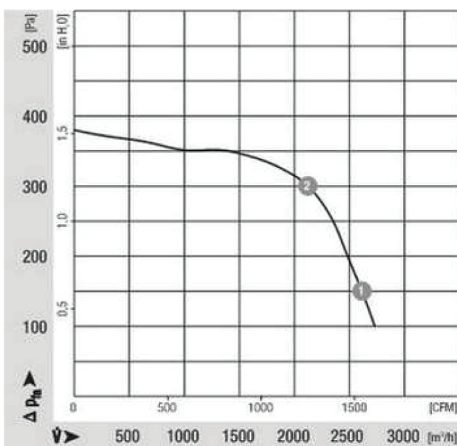
Material :	Rotor coated Black Wheel sendzimir steelplate
Direction of rotation	Right CW seen on rotor
Protection:	IP44
Isolation:	F
Condensate discharges	None
Mounting position:	Free
Mode of operation:	Continuiuos S1
Bearings	Maintenance free Ball Bearings
Motorprotection	Integrated temperatur switches
Cable	Variabel 450 mm
Norm	EN 60335-1, ERP 2015

Nominal data		Voltage	Frequency	Air flow	Speed	Power consumption	Current draw	Capacitor capacity	Sound pressure level	Min. back pressure	Perm. amb. temp.	Weight
Type	Motor	VAC	Hz	m3/h	rpm	W	A	uF/V	dB ( A )	Pa	C	kg
D4E225CC0121	M4E074LA	230	50	2650	1150	650	2,84	25/400	65	100	-25..55	12,4
Subject to modification												

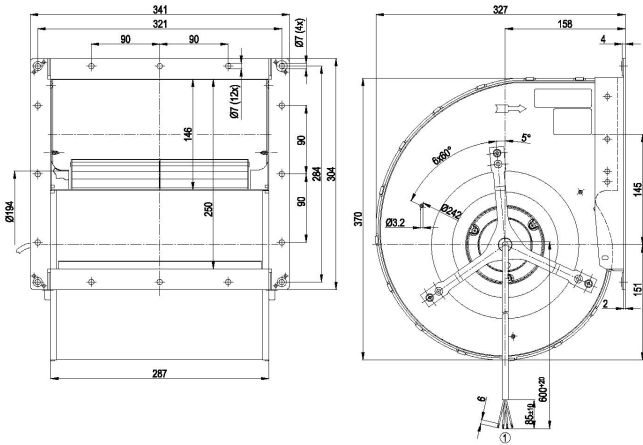
Pricing	Quantities			Accessories			
	Product Code	1	5-9	10>	Capacitor	1-9	10-49
	D4E225CC0121	€ 467,50	€ 406,60	€ 365,90	280F00045		

All prices are in euro, excluding VAT ( BTW ) Orders are shipped according to incoterms : DAP, transport costs on the basis of calculation before shipment of weight and size.  
 an extra handling fee of € 30,00 to every order with a total value of less than € 250,00 and € 15,00 to every order with a total value of € 250,00 to € 500,00 (net, excl. VAT).

#### Pressure over air flow at 50Hz

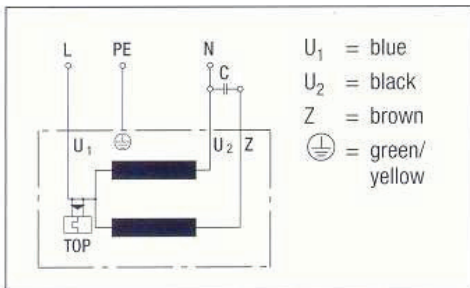


#### Specific drawing



#### Connection illustration

Single-phase capacitor motor with  
TOP wired internally



### Double inlet forward curved



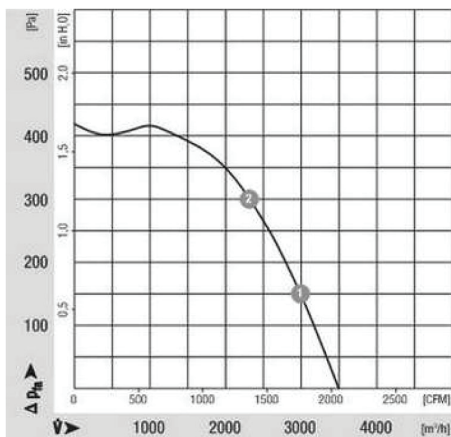
Material :	Rotor cast aluminium Wheel sendzimir steelplate
Direction of rotation	Right CCW seen on rotor
Protection:	IP20
Isolation:	F
Condensate discharges	None
Mounting position:	Free
Mode of operation:	Continuos S1
Bearings	Maintenance free Ball Bearings
Motorprotection	Integrated temperatur switches
Cable	Variabel 600 mm
Norm	EN 60335-1

Nominal data		Voltage	Frequency	Air flow	Speed	Power consumption	Current draw	Capacitor capacity	Sound pressure level	Min. back pressure	Perm. amb. temp.	Weight
Type	Motor	VAC	Hz	m3/h	rpm	W	A	uF/V	dB ( A )	Pa	C	kg
D4E240BA0101	M4E094IF	230	50	3490	1300	1020	4,45	25/400	72	0	-40..50	15,3
Subject to modification												

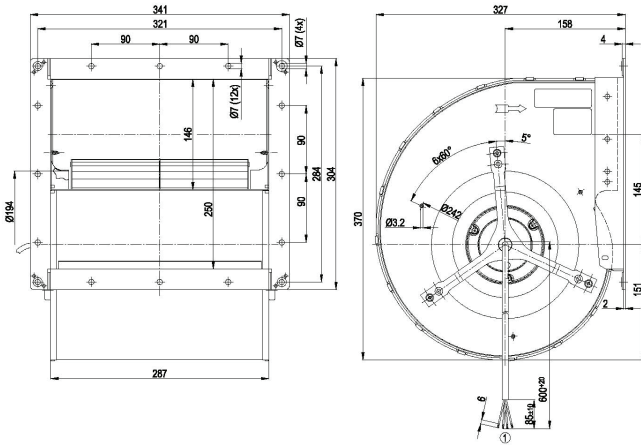
Pricing	Quantities			Accessories		
	1	5-9	10>	Capacitor	1-9	10-49
D4E240BA0101	€ 511,20	€ 444,50	€ 400,10	280F00045		

All prices are in euro, excluding VAT ( BTW ) Orders are shipped according to incoterms : DAP, transport costs on the basis of calculation before shipment of weight and size.  
 an extra handling fee of € 30,00 to every order with a total value of less than € 250,00 and € 15,00 to every order with a total value of € 250,00 to € 500,00 (net, excl. VAT).

#### Pressure over air flow at 50Hz

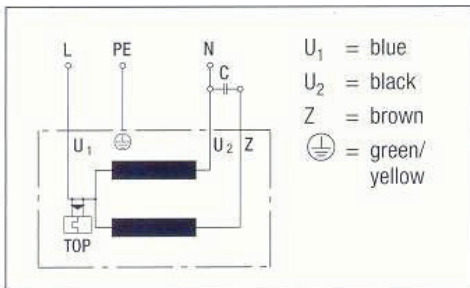


#### Specific drawing



#### Connection illustration

Single-phase capacitor motor with TOP wired internally



### Backward curved



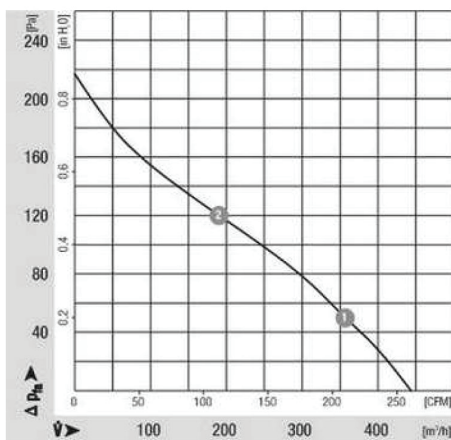
Material :	Rotor coated Black Wheel PA 6.6
Direction of rotation	Right CW seen on rotor
Protection:	IP20
Isolation:	B
Condensate discharges	None
Mounting position:	Free
Mode of operation:	Continuos S1
Bearings	Maintenance free Ball Bearings
Motorprotection	Integrated temperatur switches
Cable	Axial out of stator lengthe : 400 mm
Norm	EN 60335-1

Nominal data		Voltage	Frequency	Air flow	Speed	Power consumption	Current draw	Capacitor capacity	Sound pressure level	Min. back pressure	Perm. amb. temp.	Weight
Type	Motor	VAC	Hz	m3/h	rpm	W	A	uF/V	dB ( A )	Pa	C	kg
R2S175AB5601	M2S052CA	230	50	440	2350	53	0,33	-	61	-	-25..40	0,9
Subject to modification												

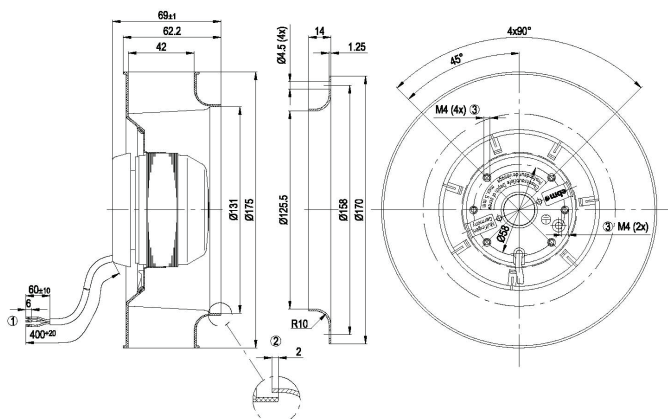
Pricing			
Product Code	Quantities		
	1	5-9	10>
R2S175AB5601	€ 73,20	€ 63,70	€ 57,20

All prices are in euro, excluding VAT ( BTW ) Orders are shipped according to incoterms : DAP, transport costs on the basis of calculation before shipment of weight and size.  
 an extra handling fee of € 30,00 to every order with a total value of less than € 250,00 and € 15,00 to every order with a total value of € 250,00 to € 500,00 (net, excl. VAT).

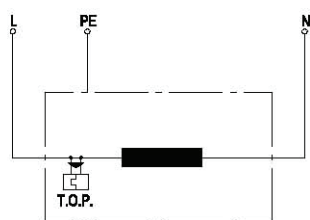
### Pressure over air flow at 50Hz



#### Specific drawing



#### Connection illustration



L	= blue
PE	= green / yellow
N	= brown
TOP	= Thermal overload protector



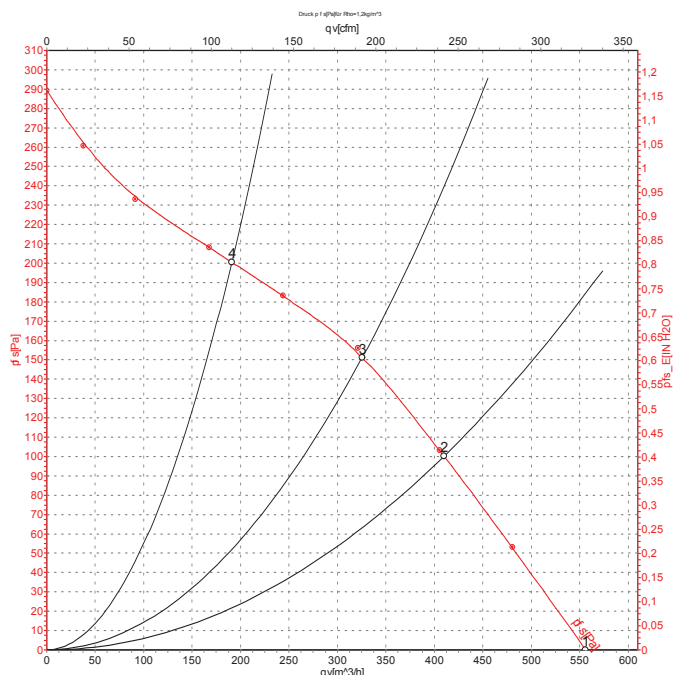
Material :	Material of impeller: PA plastic
Direction of rotation	Clockwise, seen on rotor
Number of blades:	16
Protection:	IP44
Isolation:	B
Mounting position:	Any
Mode of operation:	Continuos S1
Bearings	Ball bearing
Motorprotection	Thermal overload protector (TOP) wired internally
Cable	Variable, 450mm
Norm	EN 60335-1

Nominal data		Voltage	Frequency	Air flow	Speed	Power consumption	Current draw	Capacitor capacity	Sound pressure level	Min. back pressure	Perm. amb. temp.	Weight
Type	Motor	VAC	Hz	m3/h	rpm	W	A	uF/V	dB ( A )	Pa	C	kg
R2E180AS7705	M2E068-BF	230	50	550	2300	82	0.36	2	-		-25..40	1.37
Subject to modification												

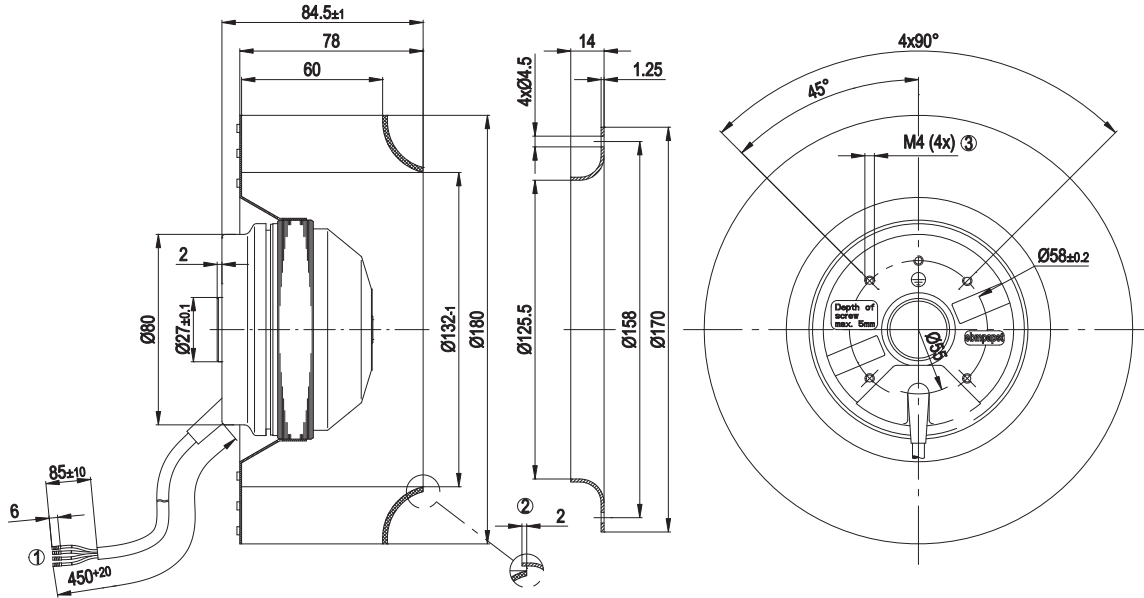
Pricing	Quantities			Accessories
	1	5-9	10>	Grill
R2E180AS7705	€ 77,50	€ 67,40	€ 60,70	

All prices are in euro, excluding VAT ( BTW ) Orders are shipped according to incoterms : DAP, transport costs on the basis of calculation before shipment of weight and size.  
 an extra handling fee of € 30,00 to every order with a total value of less than € 250,00 and € 15,00 to every order with a total value of € 250,00 to € 500,00 (net, excl. VAT).

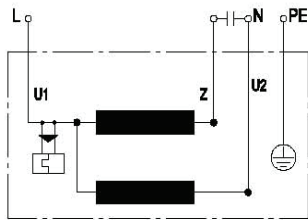
### Pressure over air flow rated Voltage



Specific drawing



Connection illustration



U1	blue	Z	brown	U2	black
PE	green/yellow				



Material :  
 Direction of rotation : Clockwise, seen on rotor  
 Protection: IP44, depending on installation and position  
 Isolation: B  
 Mounting position: Shaft horizontal or rotor on bottom; rotor on top on request  
 Mode of operation: Continuous S1  
 Bearings: Ball bearing  
 Motorprotection: Thermal overload protector (TOP) wired internally  
 Cable: Variable, 450mm  
 Norm: EN 60335-1

Material of impeller: PA plastic  
 Clockwise, seen on rotor  
 IP44, depending on installation and position  
 B  
 Shaft horizontal or rotor on bottom; rotor on top on request  
 Continuous S1  
 Ball bearing  
 Thermal overload protector (TOP) wired internally  
 Variable, 450mm  
 EN 60335-1

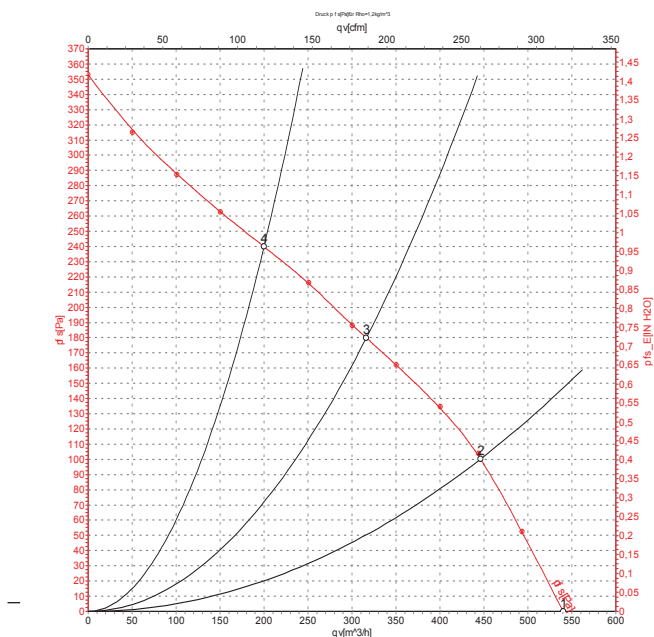
Nominal data		Voltage	Frequency	Air flow	Speed	Power consumption	Current draw	Capacitor capacity	Sound pressure level	Min. back pressure	Perm. amb. temp.	Weight
Type	Motor	VAC	Hz	m3/h	rpm	W	A	uF/V	dB (A)	Pa	C	kg
R2E190RA2605	M2E068-BF	230	50	540	2350	52	0.23	1,5	-	0	-25..65	1.3

Subject to modification

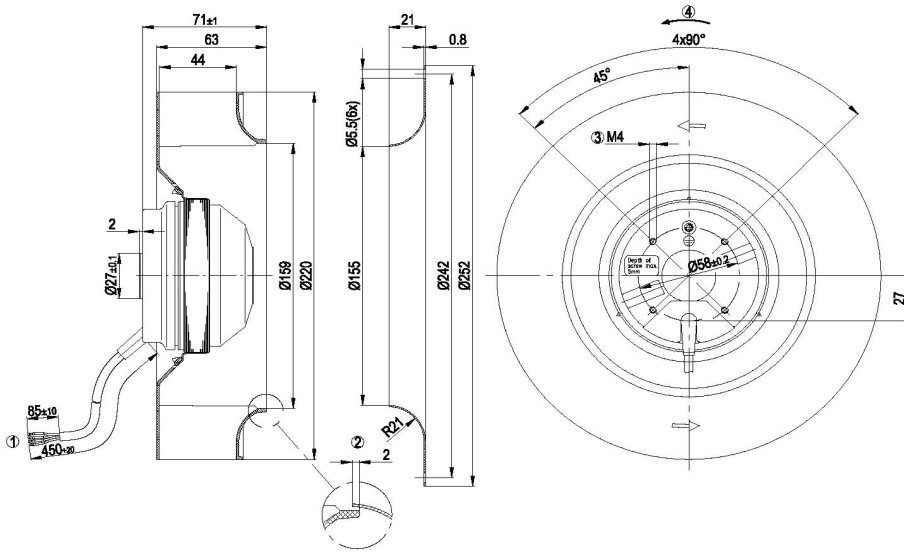
Pricing	Quantities			Accessories
	1	5-9	10>	
Product Code				Grill
R2E190RA2605	€ 49,00	€ 43,00	€ 38,00	

All prices are in euro, excluding VAT ( BTW ) Orders are shipped according to incoterms : DAP, transport costs on the basis of calculation before shipment of weight and size.  
 an extra handling fee of € 30,00 to every order with a total value of less than € 250,00 and € 15,00 to every order with a total value of € 250,00 to € 500,00 (net, excl. VAT).

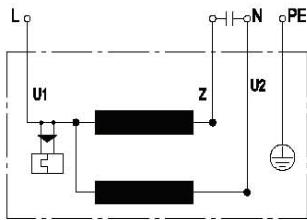
### Pressure over air flow rated Voltage



Specific drawing



Connection illustration



U1	blue	Z	brown	U2	black
PE	green/yellow				

### Backward curved



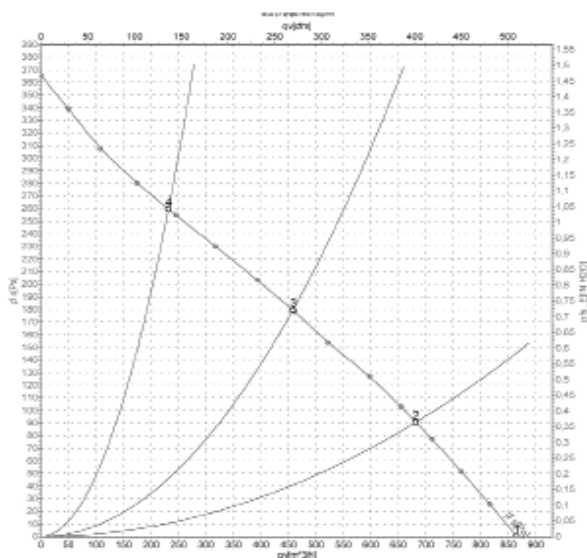
Material :	Rotor coated Black Wheel PA6.6
Direction of rotation	Right CW seen on rotor
Protection:	IP44
Isolation:	B
Condensate discharges	None
Mounting position:	Free, rotor on top on request
Mode of operation:	Continuos S1
Bearings	Maintenance free Ball Bearings
Motorprotection	Integrated temperatur switches
Cable	Variabel out of stator lengthe : 450 mm
Norm	EN 60335-1

Nominal data		Voltage	Frequency	Air flow	Speed	Power consumption	Current draw	Capacitor capacity	Sound pressure level	Min. back pressure	Perm. amb. temp.	Weight
Type	Motor	VAC	Hz	m3/h	rpm	W	A	uF/V	dB ( A )	Pa	C	kg
R2E220AA4005	M2E068BF	230	50	860	2600	85	0,38	3/400-	73	-	-25..40	1,3
Subject to modification												

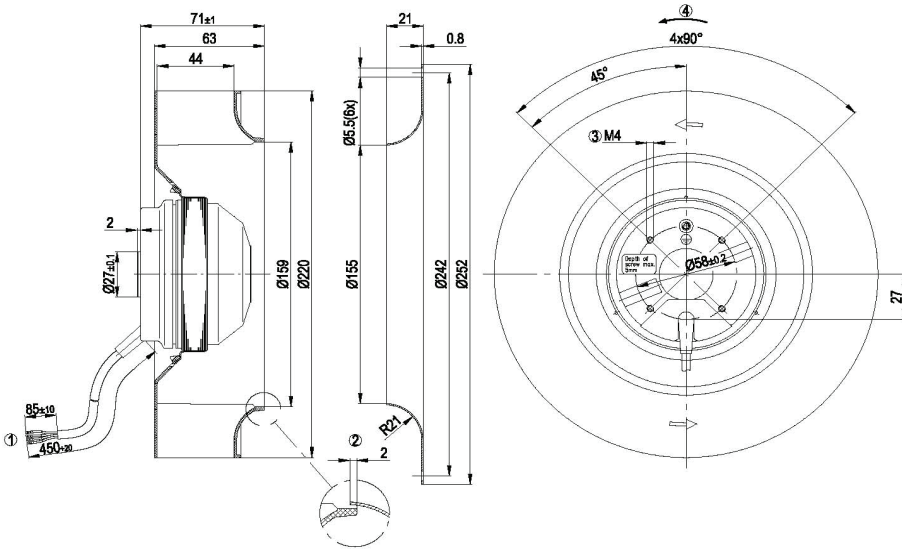
Pricing	Quantities			Accessories			
	Product Code	1	5-9	10>	Capacitor	1-9	10-49
R2E220AA4005	€ 77,90	€ 67,80	€ 61,00	280F00035			

All prices are in euro, excluding VAT ( BTW ) Orders are shipped according to incoterms : DAP, transport costs on the basis of calculation before shipment of weight and size.  
 an extra handling fee of € 30,00 to every order with a total value of less than € 250,00 and € 15,00 to every order with a total value of € 250,00 to € 500,00 (net, excl. VAT).

### Pressure over air flow at 50Hz

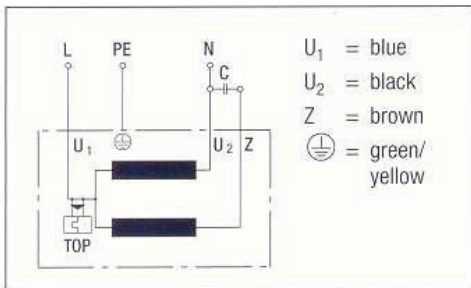


Specific drawing



Connection illustration

Single-phase capacitor motor with TOP wired internally



### Backward curved



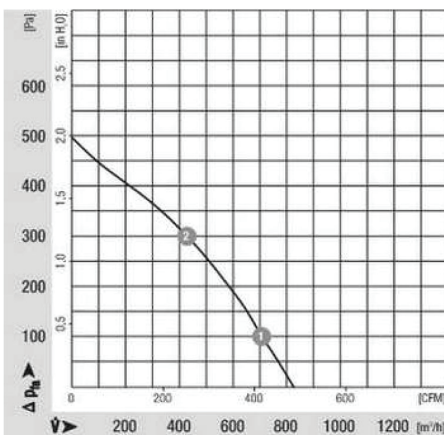
Material :	Rotor coated Black Wheel sendzimir steelplate black
Direction of rotation	Right CW seen on rotor
Protection:	IP44
Isolation:	B
Condensate discharges	Rotor side
Mounting position:	Free, rotor on top on request
Mode of operation:	Continuiuos S1
Bearings	Maintenance free Ball Bearings
Motorprotection	Integrated temperatur switches
Cable	Axial out of stator lengthe : 450 mm
Norm	EN 60335-1

Nominal data		Voltage	Frequency	Air flow	Speed	Power consumption	Current draw	Capacitor capacity	Sound pressure level	Min. back pressure	Perm. amb. temp.	Weight
Type	Motor	VAC	Hz	m3/h	rpm	W	A	uF/V	dB ( A )	Pa	C	kg
R2E225AT5105	M2E068DF	230	50	850	2650	105	0,46	3/400-	70	-	-25..60	2,1
Subject to modification												

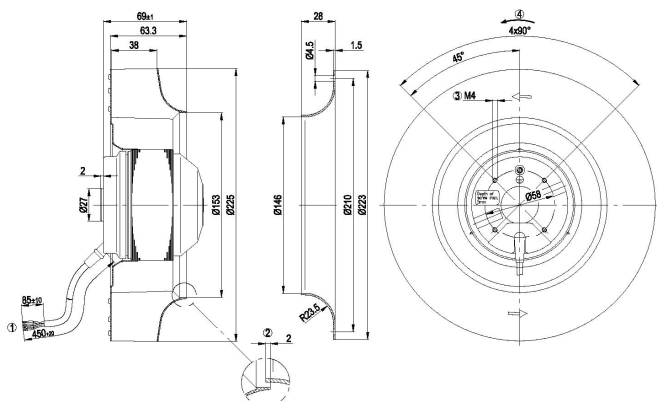
Pricing	Quantities			Accessories		
	1	5-9	10>	Capacitor	1-9	10-49
R2E225AT5105	€ 114,60	€ 99,60	€ 89,60	280F00035		

All prices are in euro, excluding VAT ( BTW ) Orders are shipped according to incoterms : DAP, transport costs on the basis of calculation before shipment of weight and size.  
 an extra handling fee of € 30,00 to every order with a total value of less than € 250,00 and € 15,00 to every order with a total value of € 250,00 to € 500,00 (net, excl. VAT).

### Pressure over air flow at 50Hz

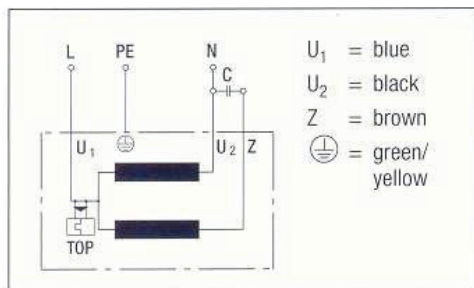


#### Specific drawing



#### Connection illustration

Single-phase capacitor motor with TOP wired internally





**Material :**  
 Direction of rotation: Clockwise, seen on rotor  
 Protection: IP44  
 Isolation: F  
 Mounting position: Shaft horizontal or rotor on bottom; rotor on top on request  
 Mode of operation: Continuous S1  
 Bearings: Ball bearing  
 Motor protection: Thermal overload protector (TOP) wired internally  
 Cable: Variable, 450mm  
 Norm: EN 60335-1

**Material of impeller:** PA plastic, Fiberglass-reinforced  
 Clockwise, seen on rotor  
 IP44  
 F  
 Shaft horizontal or rotor on bottom; rotor on top on request  
 Continuous S1  
 Ball bearing  
 Thermal overload protector (TOP) wired internally  
 Variable, 450mm  
 EN 60335-1

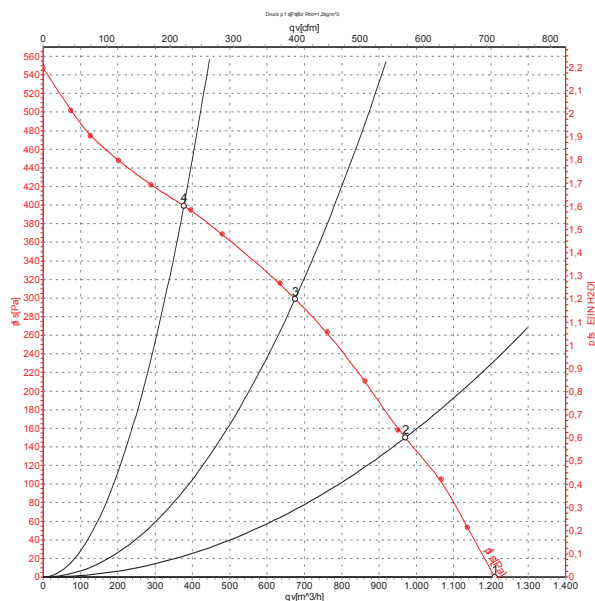
Nominal data		Voltage	Frequency	Air flow	Speed	Power consumption	Current draw	Capacitor capacity	Sound pressure level	Min. back pressure	Perm. amb. temp.	Weight
Type	Motor	VAC	Hz	m3/h	rpm	W	A	uF/V	dB (A)	Pa	C	kg
R2E225BD9209	M2E068-DF	230	50	1200	2650	135	0.6	4	-	0	-25..55	2.28

Subject to modification

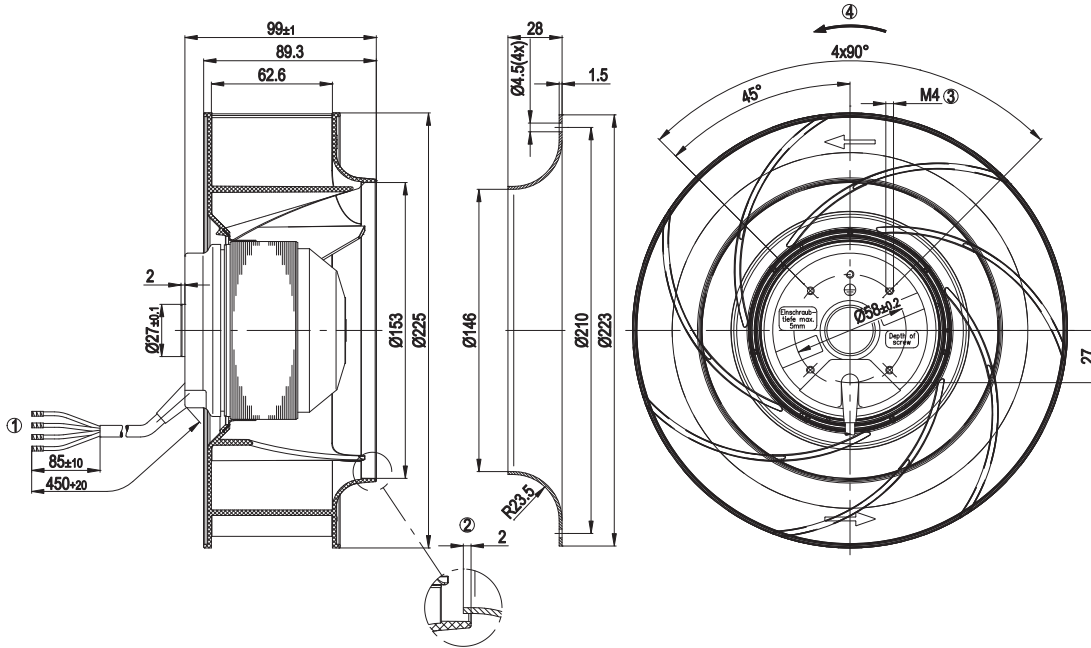
Pricing	Quantities			Accessories
	1	5-9	10>	
<b>Product Code</b>				<b>Grill</b>
R2E225BD9209	€ 112,80	€ 98,00	€ 88,30	

All prices are in euro, excluding VAT ( BTW ) Orders are shipped according to incoterms : DAP, transport costs on the basis of calculation before shipment of weight and size.  
 an extra handling fee of € 30,00 to every order with a total value of less than € 250,00 and € 15,00 to every order with a total value of € 250,00 to € 500,00 (net, excl. VAT).

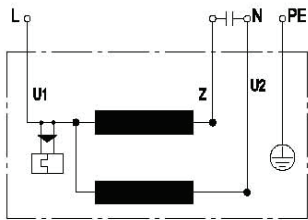
#### Pressure over air flow rated Voltage



Specific drawing



Connection illustration



U1	blue	Z	brown	U2	black
PE	green/yellow				



Material : Material of impeller: Sheet steel, coated in black  
 Rotor; coated in black  
 Direction of rotation : Clockwise, seen on rotor  
 Protection: IP44, depending on installation and position  
 Isolation: F  
 Mounting position: Shaft horizontal or rotor on bottom; rotor on top on request  
 Mode of operation: Continuos S1  
 Bearings : Ball bearing  
 Motorprotection : Thermal overload protector (TOP) wired internally  
 Cable : Variable, 450mm  
 Norm : EN 60335-1

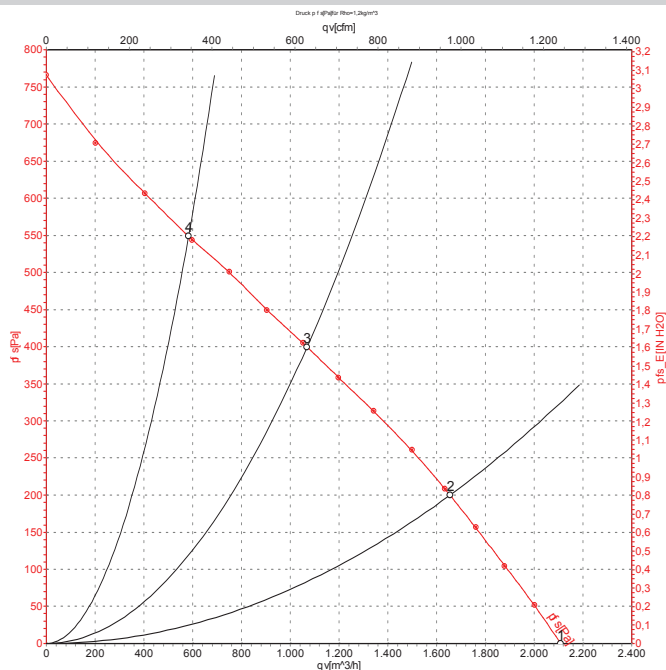
Nominal data		Voltage	Frequency	Air flow	Speed	Power consumption	Current draw	Capacitor capacity	Sound pressure level	Min. back pressure	Perm. amb. temp.	Weight
Type	Motor	VAC	Hz	m3/h	rpm	W	A	uF/V	dB ( A )	Pa	C	kg
R2E280AE5205	M2E068-EC	230	50	2100	2700	225	1.0	7	-	0	-25..40	3.5

Subject to modification

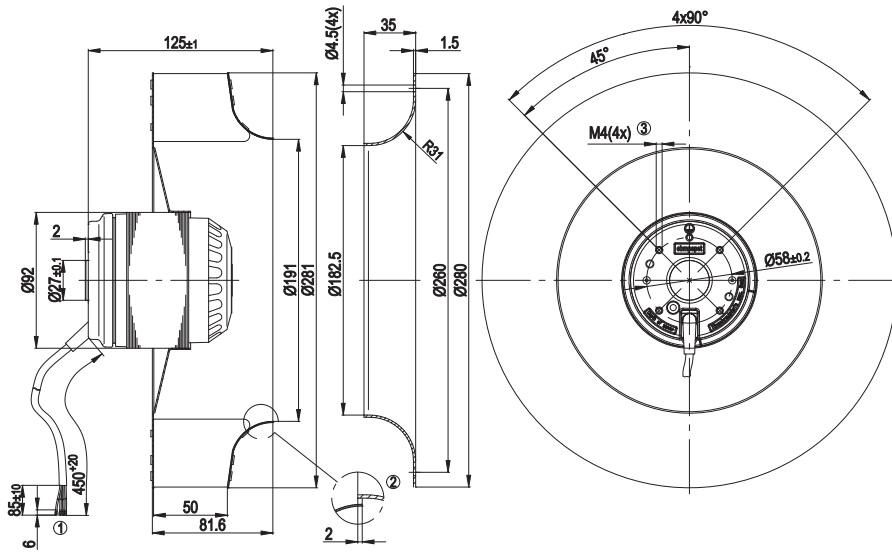
Pricing	Quantities			Accessories
	1	5-9	10>	Grill
R2E280AE5205	€ 182,10	€ 158,30	€ 142,40	

All prices are in euro, excluding VAT ( BTW ) Orders are shipped according to incoterms : DAP, transport costs on the basis of calculation before shipment of weight and size.  
 an extra handling fee of € 30,00 to every order with a total value of less than € 250,00 and € 15,00 to every order with a total value of € 250,00 to € 500,00 (net, excl. VAT).

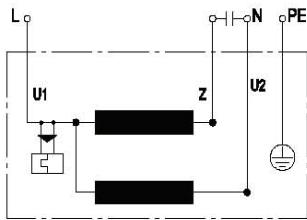
#### Pressure over air flow rated Voltage



Specific drawing



Connection illustration



U1	blue	Z	brown	U2	black
PE	green/yellow				

Material :	Material of impeller: Die-cast aluminium
Direction of rotation	Clockwise, seen on rotor
Protection:	IP22
Isolation:	F
Mounting position:	Any
Mode of operation:	Continuios S1
Bearings	Ball bearing
Cable	Lateral, 200mm

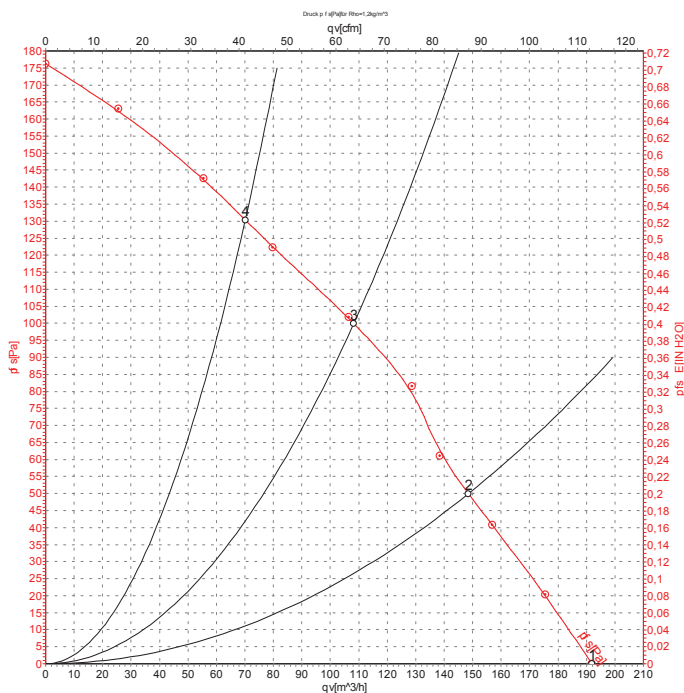
Nominal data		Voltage	Frequency	Air flow	Speed	Power consumption	Current draw	Capacitor capacity	Sound pressure level	Min. back pressure	Perm. amb. temp.	Weight
Type	Motor	VAC	Hz	m3/h	rpm	W	A	uF/V	dB ( A )	Pa	C	kg
R2S150AA0829	M2S052-CA	230	50	190	2200	43	0.25	-	-	0	-25..75	0.9

Subject to modification

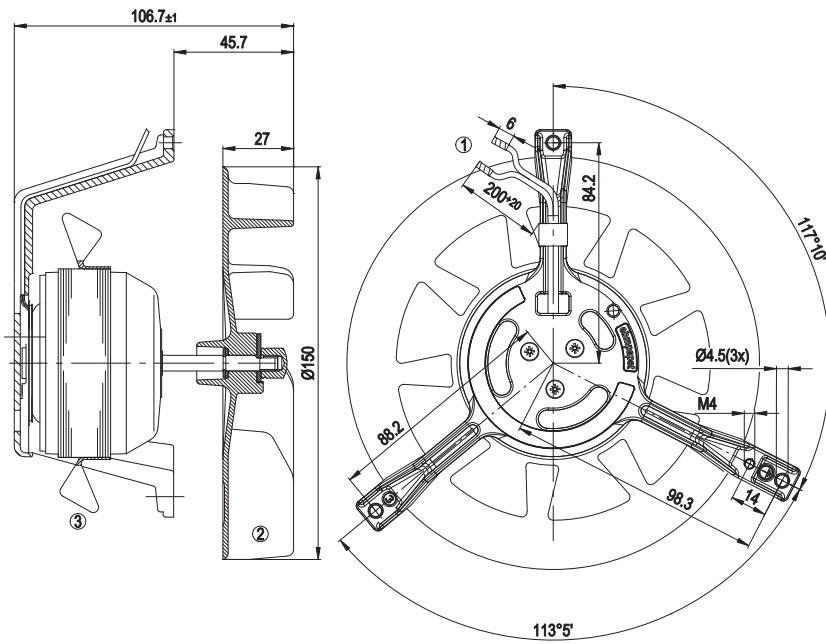
Pricing	Quantities			Accessories
	1	5-9	10>	
Product Code				Grill
R2S150AA0829	€ 86,40	€ 75,10	€ 67,70	

All prices are in euro, excluding VAT ( BTW ) Orders are shipped according to incoterms : DAP, transport costs on the basis of calculation before shipment of weight and size.  
 an extra handling fee of € 30,00 to every order with a total value of less than € 250,00 and € 15,00 to every order with a total value of € 250,00 to € 500,00 (net, excl. VAT).

### Pressure over air flow rated Voltage



Specific drawing



Connection illustration



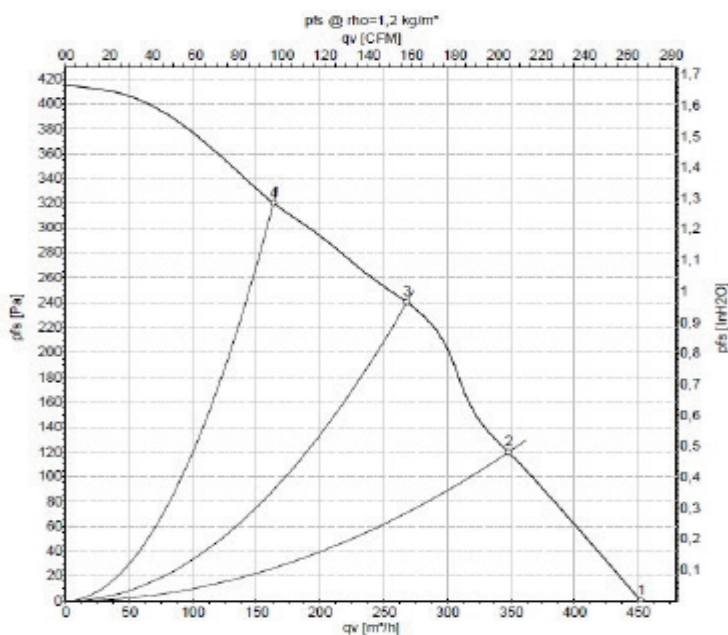
Direction of rotation	Counter-clockwise, seen on rotor
Protection:	IP00
Isolation:	F
Mounting position:	Shaft horizontal
Mode of operation:	Continuos S1
Bearings	Ball bearing

Nominal data		Voltage	Frequency	Air flow	Speed	Power consumption	Current draw	Capacitor capacity	Sound pressure level	Min. back pressure	Perm. amb. temp.	Weight
Type	Motor	VAC	Hz	m3/h	rpm	W	A	uF/V	dB ( A )	Pa	C	kg
R2E180AH0506	M2E068-DF	230	50	450	2600	115	0.51	3	-	0	-25..100	3.1
Subject to modification												

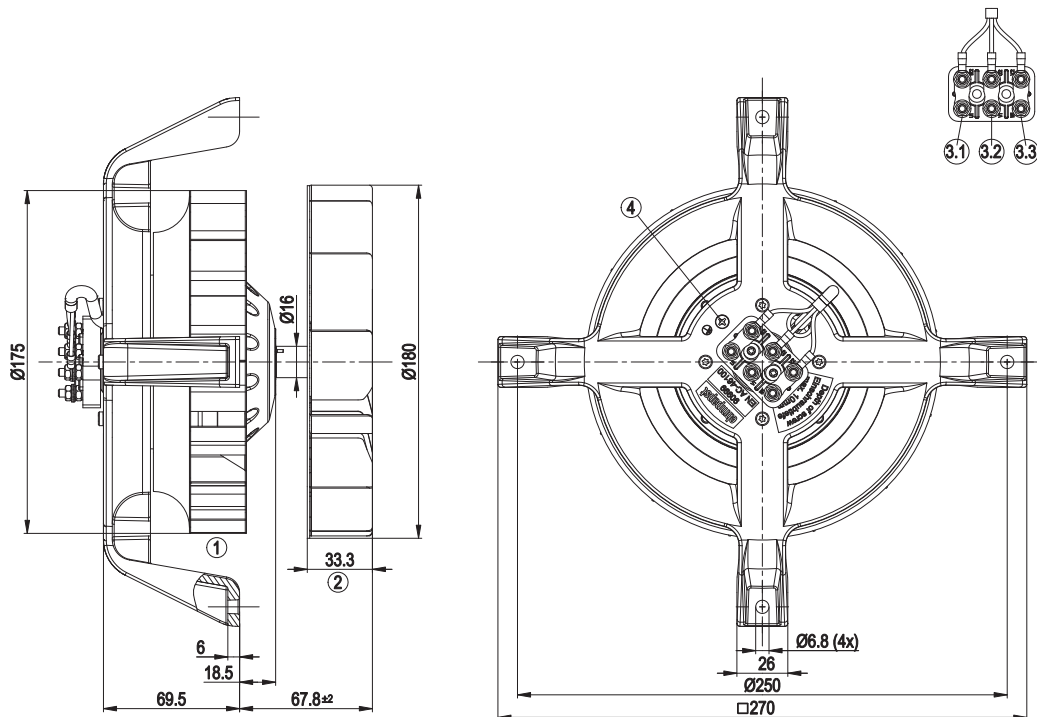
Pricing	Quantities			Accessories
	1	5-9	10>	
Product Code				Grill
R2E180AH0506	€ 212,80	€ 185,10	€ 166,50	

All prices are in euro, excluding VAT ( BTW ) Orders are shipped according to incoterms : DAP, transport costs on the basis of calculation before shipment of weight and size.  
 an extra handling fee of € 30,00 to every order with a total value of less than € 250,00 and € 15,00 to every order with a total value of € 250,00 to € 500,00 (net, excl. VAT).

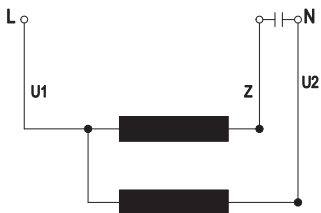
### Pressure over air flow rated Voltage



Specific drawing



Connection illustration



U1	blue	U2	black	Z	brown
----	------	----	-------	---	-------



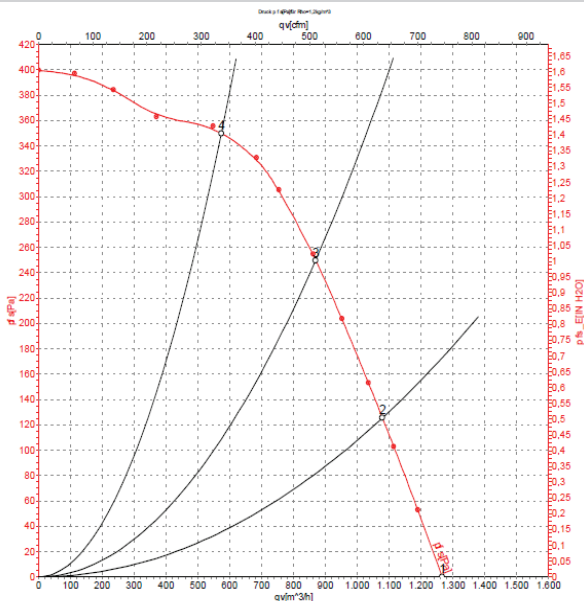
Direction of rotation: Clockwise, seen on rotor  
 Protection: IP00  
 Isolation: F  
 Mounting position: Shaft horizontal  
 Mode of operation: Continuous S1  
 Bearings: Ball bearing

Nominal data		Voltage	Frequency	Air flow	Speed	Power consumption	Current draw	Capacitor capacity	Sound pressure level	Min. back pressure	Perm. amb. temp.	Weight
Type	Motor	VAC	Hz	m3/h	rpm	W	A	uF/V	dB (A)	Pa	C	kg
R2D225AG0210	M2D068-EC	230/400	50	1260	2700	165	0.50	-	-	0	-25..105	4.1
Subject to modification												

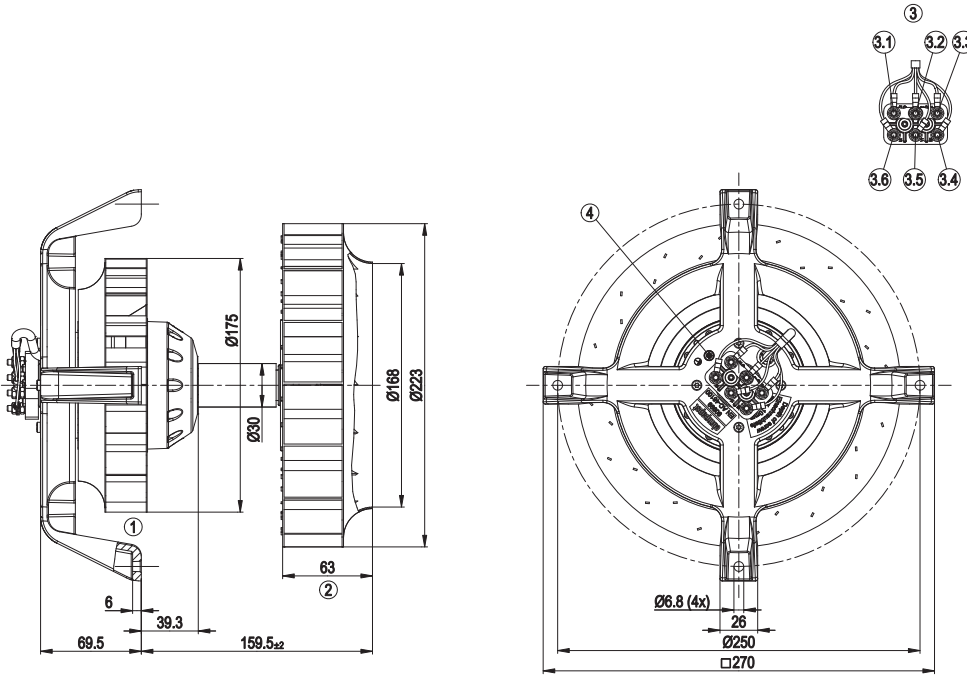
Pricing	Quantities			Accessories
	1	5-9	10>	
Product Code				Grill
R2D225AG0210	€ 342,10	€297,50	€ 267,70	

All prices are in euro, excluding VAT ( BTW ) Orders are shipped according to incoterms : DAP, transport costs on the basis of calculation before shipment of weight and size.  
 an extra handling fee of € 30,00 to every order with a total value of less than € 250,00 and € 15,00 to every order with a total value of € 250,00 to € 500,00 (net, excl. VAT).

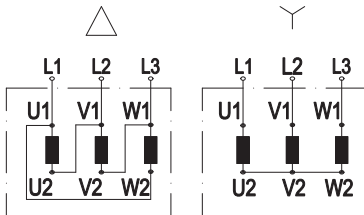
### Pressure over air flow rated Voltage



Specific drawing



Connection illustration



Change direction of rotation by reversing two phases

	Three-phase motor	Δ	Delta connection	Y	Star connection
L1	= U1 = black	L2	= V1 = blue	L3	= W1 = brown
U2	green	V2	white	W2	yellow

### Double inlet forward curved



Material :	Rotor cast aluminium Wheel sendzimir steelplate
Direction of rotation	Right CW seen on rotor
Protection:	IP44
Isolation:	B
Condensate discharges	Rotor
Mounting position:	Free
Mode of operation:	Continuos S1
Bearings	Maintenance free Ball Bearings
Motorprotection	Locked rotor protection
Cable	Variabel 450 mm
Norm	EN 60335-1

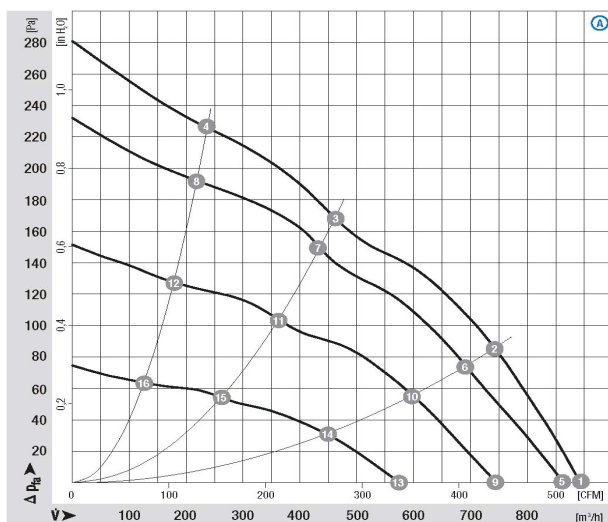
Nominal data		Voltage	Frequency	Air flow	Speed	Power consumption	Current draw	Capacitor capacity	Sound pressure level	Min. back pressure	Perm. amb. temp.	Weight
Type	Motor	VAC	Hz	m3/h	rpm	W	A	uF/V	dB ( A )	Pa	C	kg
D3G133BF0302	M3G055CF	230	50	890	1280	86	0,65		52	0	-25..40	3

Subject to modification

Product Code	Quantities			Accessories	
	1	5-9	10>	Speed control device	Price
D3G133BF0302	€ 157,70	€ 137,10	€ 123,50	280A00050	34,35

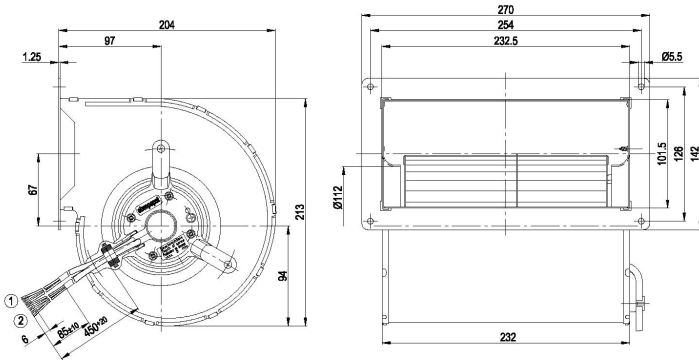
All prices are in euro, excluding VAT ( BTW ) Orders are shipped according to incoterms : DAP, transport costs on the basis of calculation before shipment of weight and size.  
 an extra handling fee of € 30,00 to every order with a total value of less than € 250,00 and € 15,00 to every order with a total value of € 250,00 to € 500,00 (net, excl. VAT).

### Pressure over air flow at 50Hz

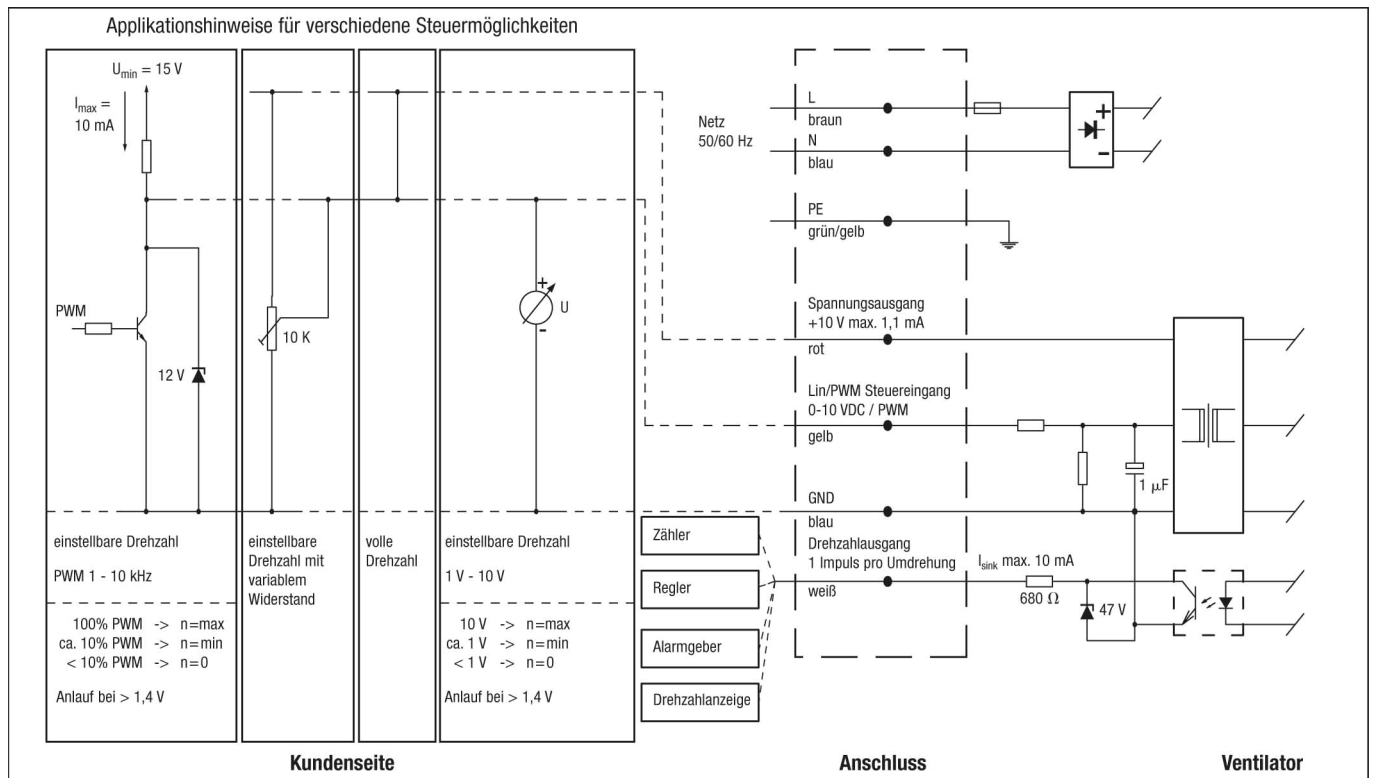


See curve 2, 3, 4

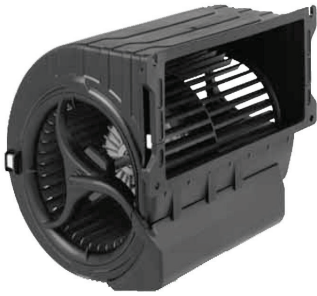
### Specific drawing



### Connection illustration



### Double inlet forward curved



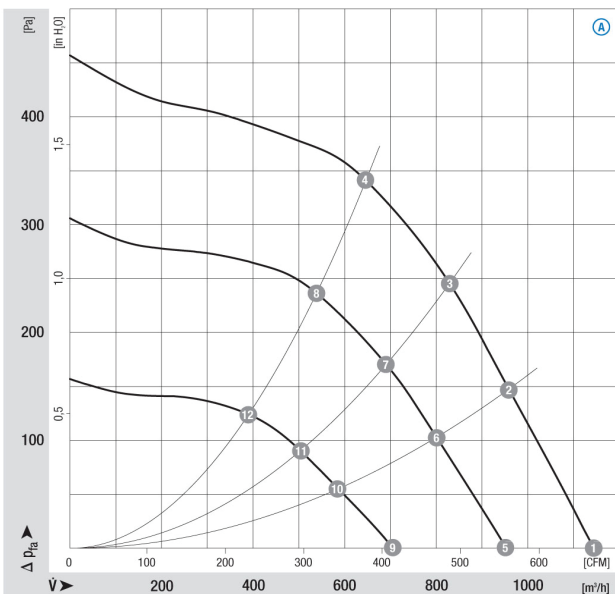
Material :	Housing material PP plastic, Black Impeller material sheet steel, hot galvanised
Direction of rotation	Counter CW seen on rotor
Protection:	IP44
Isolation:	F
Condensate discharges	None
Mounting position:	Free,
Mode of operation:	Continuiuos S1
Bearings	Maintenance free Ball Bearings
Motorprotection	Integrated temperatur switches
Cable	Connector
Norm	EN 60335-1

Nominal data	Motor	Voltage	Frequency	Air flow	Speed	Power consumption	Current draw	Capacitor capacity	Sound pressure level	Min. back pressure	Perm. amb. temp.	Weight
Type		VAC	Hz	m3/h	rpm	W	A	uF/V	dB ( A )	Pa	C	kg
D3G146LV1301		230	50	1140	1550	182	1,40		64	0	-40..80	2,9
Subject to modification												

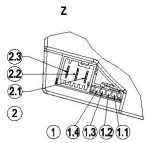
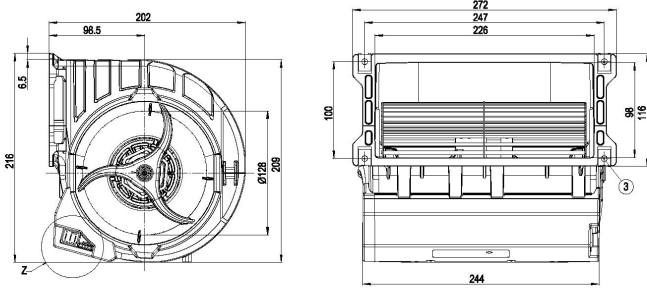
Product Code	Quantities			Accessories		
	1	5-9	10>	Speed control device	Price	Connection leads
D3G146LV1301	€ 186,70	€ 163,90	€ 144,80	280A00050	34,35	See page 211

All prices are in euro, excluding VAT ( BTW ) Orders are shipped according to incoterms : DAP, transport costs on the basis of calculation before shipment of weight and size.  
 an extra handling fee of € 30,00 to every order with a total value of less than € 250,00 and € 15,00 to every order with a total value of € 250,00 to € 500,00 (net, excl. VAT).

### Pressure over air flow at 50Hz



#### Specific drawing

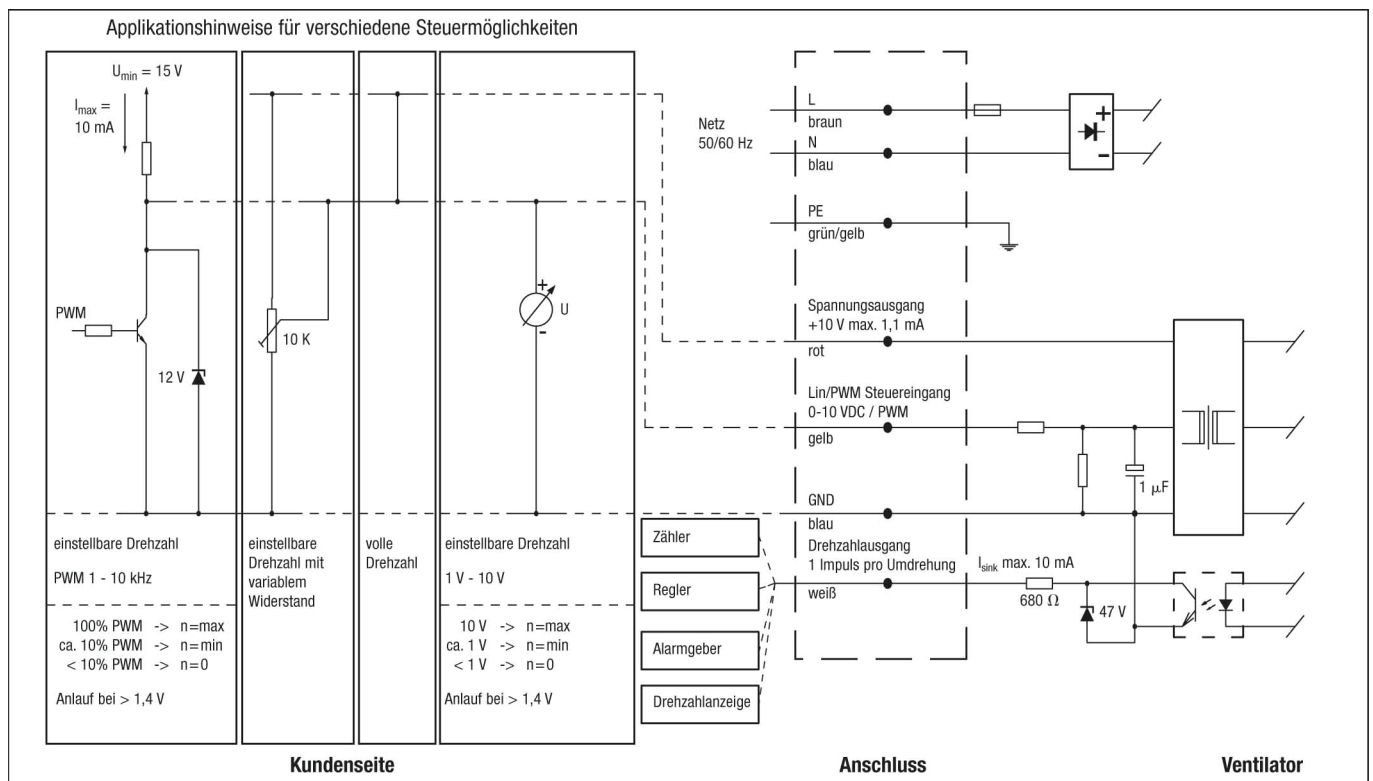


1	Strip Molex Micro Fit 3.0 04385 00400 (pluggable with 04384 50400)
1.1	10V
1.2	Tach
1.3	0-10V lin. / PWM
1.4	GND
2	Plug connector Lumberg 3642 03 K01 (pluggable with 3626 03 K01)
2.1	PE
2.2	L
2.3	N
3	4x sheet metal nut for thread EN ISO 1478-ST4.8 (min. screw length 14.5 mm plus thickness of mounting material)

Please see the attachment on page 210 for:

Connection leads EC / Cables

#### Connection illustration





Material : Material of impeller: PP Plastic  
 Housing material: PP Plastic  
 Direction of rotation : Counter-clockwise, seen on rotor  
 Protection: IP20  
 Isolation: F  
 Mounting position: Any  
 Mode of operation: Continuous S1  
 Bearings: Ball bearing  
 Motorprotection: Thermal overload protector (TOP) wired internally  
 Norm: EN 60335-1

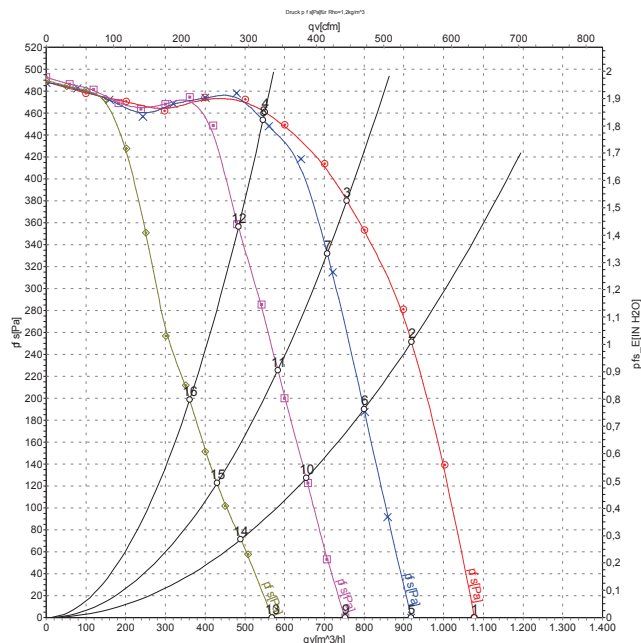
Nominal data		Voltage	Frequency	Air flow	Speed	Power consumption	Current draw	Capacitor capacity	Sound pressure level	Min. back pressure	Perm. amb. temp.	Weight
Type	Motor	VAC	Hz	m3/h	rpm	W	A	uF/V	dB ( A )	Pa	C	kg
D3G146HQ1334	M2E042-CA	230	50	1080	2400	230	1.8	-	-	-	-25..50	2.4

Subject to modification

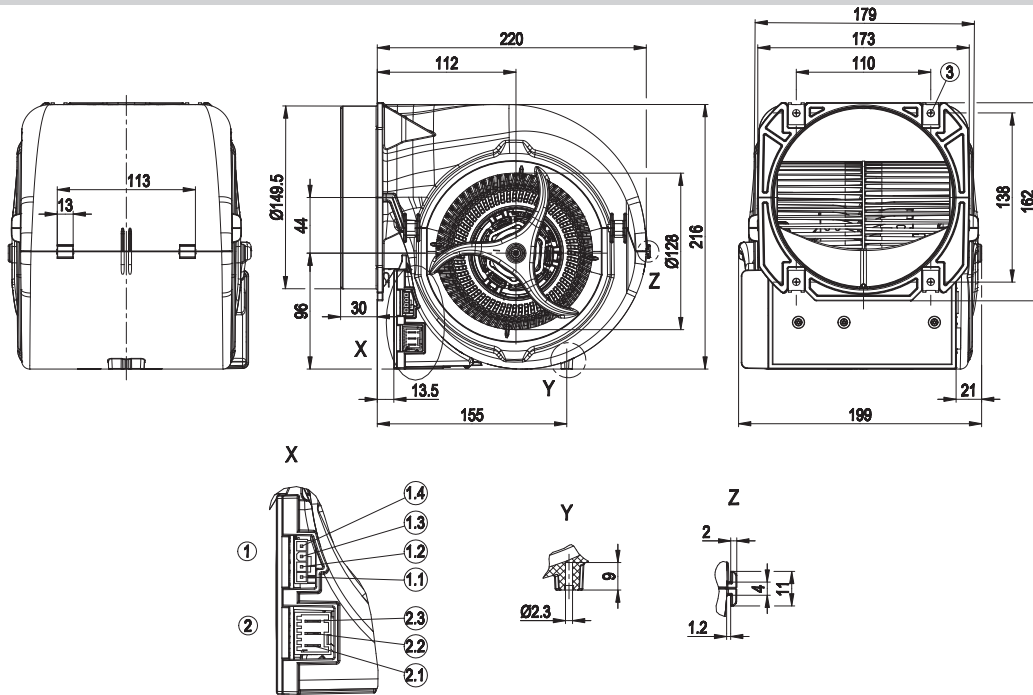
Pricing	Quantities			Accessories
	1	5-9	10>	
Product Code				Grill
D3G146HQ1334	€ 182,80	€ 160,40	€ 141,80	

All prices are in euro, excluding VAT ( BTW ) Orders are shipped according to incoterms : DAP, transport costs on the basis of calculation before shipment of weight and size.  
 an extra handling fee of € 30,00 to every order with a total value of less than € 250,00 and € 15,00 to every order with a total value of € 250,00 to € 500,00 (net, excl. VAT).

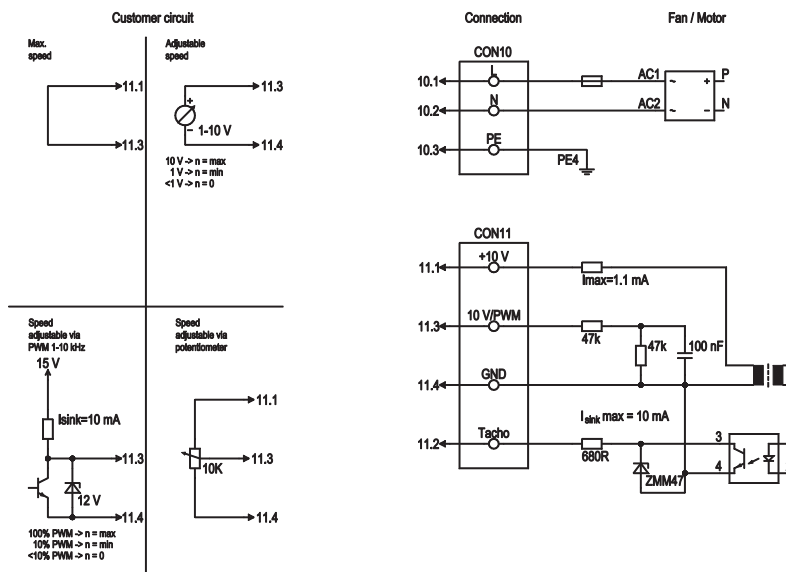
### Pressure over air flow rated Voltage



### Specific drawing



### Connection illustration





Material : Material of impeller: PP plastic  
 Housing material: PP plastic  
 Material of electronics housing: Die-cast aluminium  
 Counter-clockwise, seen on rotor

Direction of rotation  
 Number of blades: 7  
 Protection: IP54  
 Isolation: B  
 Mounting position: Any  
 Mode of operation: Continuous S1  
 Bearings: Ball bearing  
 Motorprotection: Locked-rotor protection  
 Cable: 450mm  
 Norm: EN 60335-1

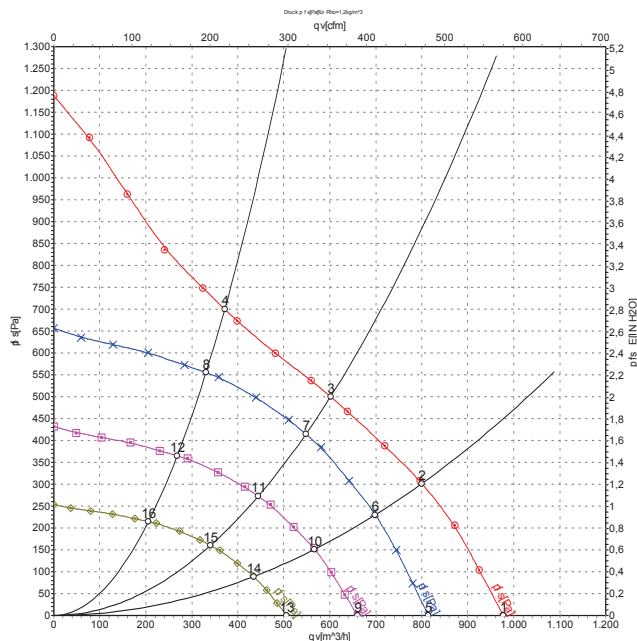
Nominal data		Voltage	Frequency	Air flow	Speed	Power consumption	Current draw	Capacitor capacity	Sound pressure level	Min. back pressure	Perm. amb. temp.	Weight
Type	Motor	VAC	Hz	m3/h	rpm	W	A	uF/V	dB ( A )	Pa	C	kg
K3G190RC0503	M3G055-BI	230	50	740	3200	83	0.75	-	-	-	-25..60	1.5

Subject to modification

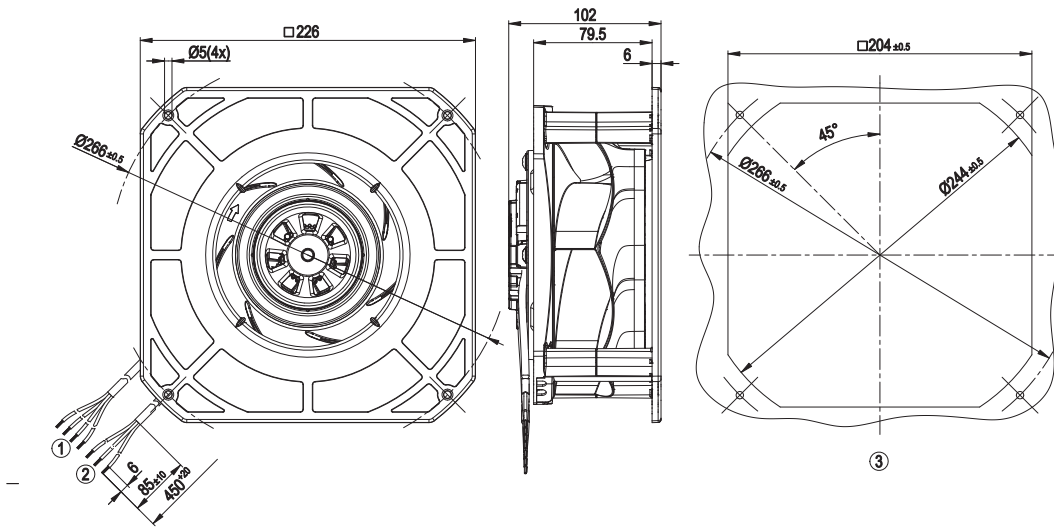
Pricing	Quantities			Accessories
	1	5-9	10>	
Product Code				Grill
K3G190RC0503	€ 170,30	€ 149,50	€ 132,10	

All prices are in euro, excluding VAT ( BTW ) Orders are shipped according to incoterms : DAP, transport costs on the basis of calculation before shipment of weight and size.  
 an extra handling fee of € 30,00 to every order with a total value of less than € 250,00 and € 15,00 to every order with a total value of € 250,00 to € 500,00 (net, excl. VAT).

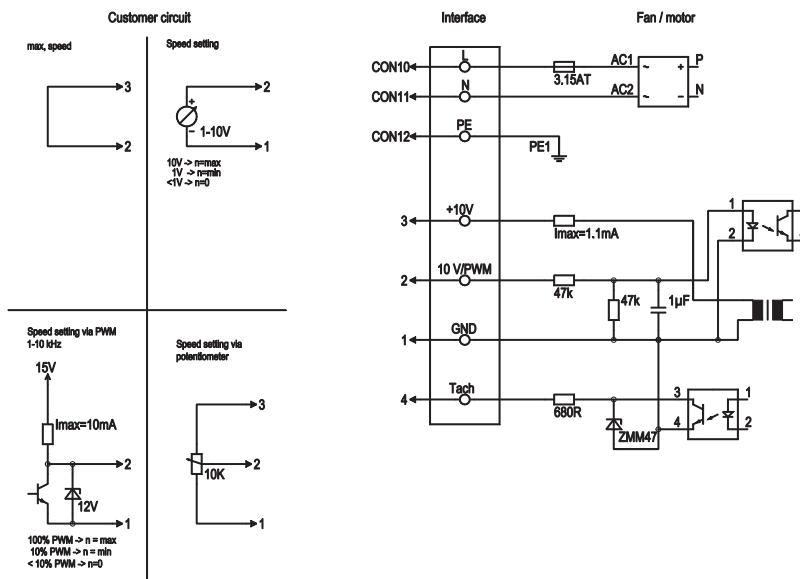
### Pressure over air flow rated Voltage



Specific drawing



Connection illustration





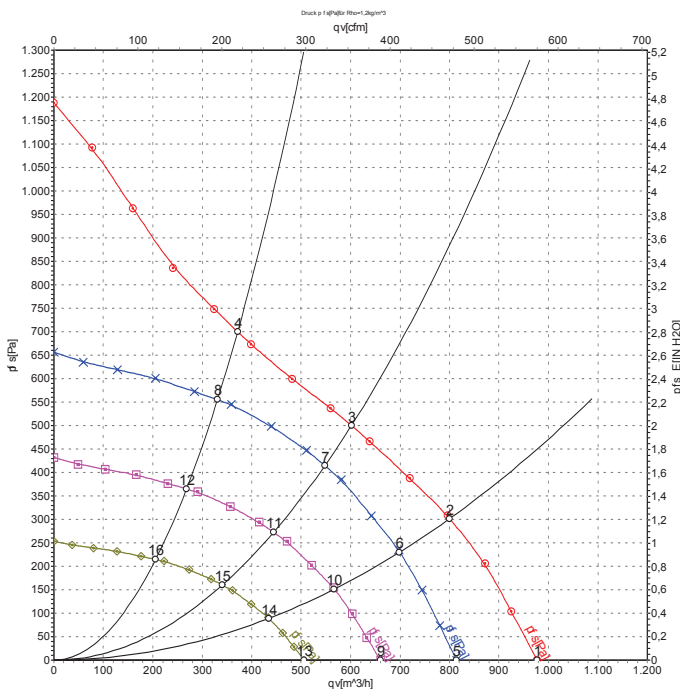
Material : Material of impeller: PP plastic  
 Housing material: PP plastic  
 Direction of rotation : Counter-clockwise, seen on rotor  
 Number of blades: 7  
 Protection: IP54  
 Isolation: B  
 Mounting position: Any  
 Mode of operation: Continuos S1  
 Bearings: Ball bearing  
 Motorprotection: Locked-rotor protection  
 Cable: 450mm  
 Norm: EN 60335-1

Nominal data		Voltage	Frequency	Air flow	Speed	Power consumption	Current draw	Capacitor capacity	Sound pressure level	Min. back pressure	Perm. amb. temp.	Weight
Type	Motor	VAC	Hz	m3/h	rpm	W	A	uF/V	dB ( A )	Pa	C	kg
K3G190RD4503	M3G055-CF	230	50	970	4120	169	1.37	-	-	-	-25..60	1.8
Subject to modification												

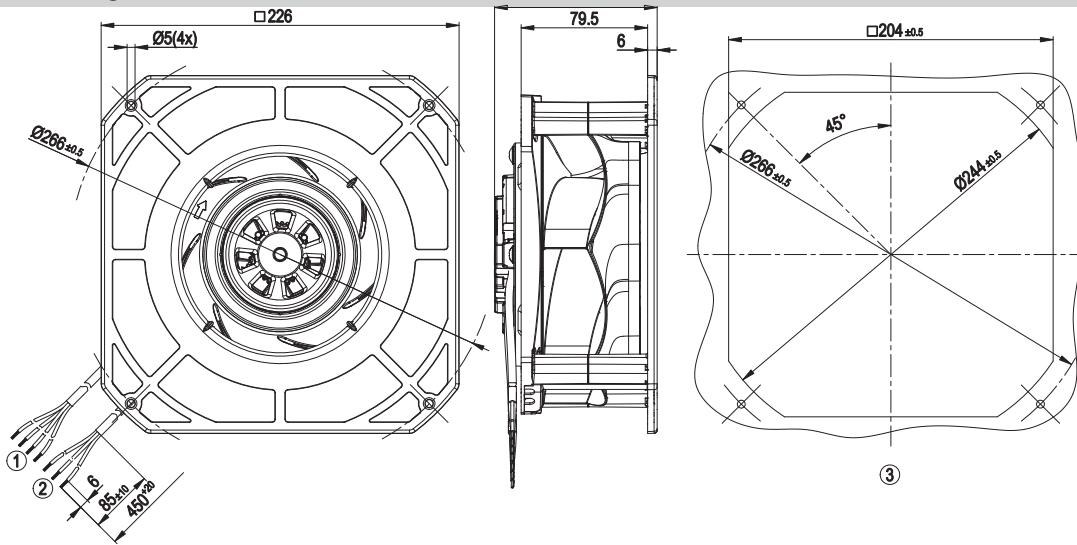
Pricing	Quantities			Accessories	
	Product Code	1	5-9		10>
	K3G190RD4503	€ 206,60	€181,30	€ 160,20	

All prices are in euro, excluding VAT ( BTW ) Orders are shipped according to incoterms : DAP, transport costs on the basis of calculation before shipment of weight and size.  
 an extra handling fee of € 30,00 to every order with a total value of less than € 250,00 and € 15,00 to every order with a total value of € 250,00 to € 500,00 (net, excl. VAT).

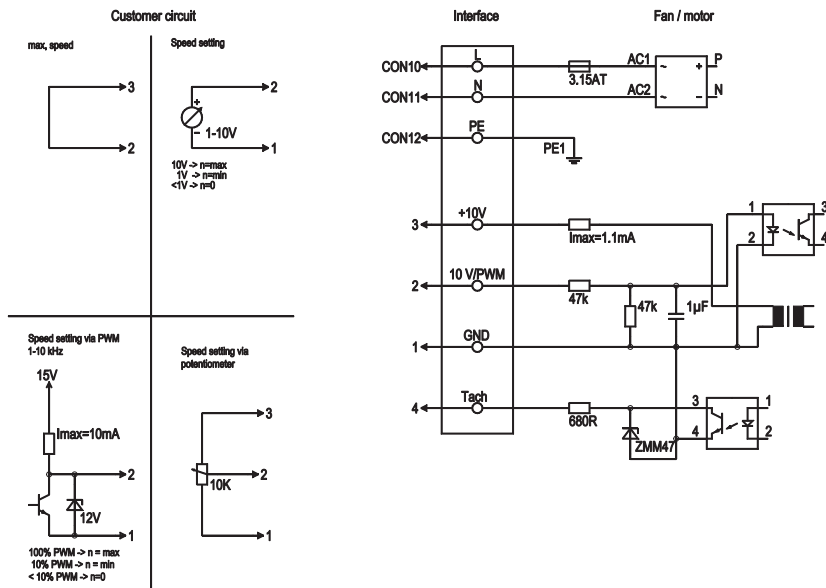
### Pressure over air flow rated Voltage



Specific drawing



Connection illustration





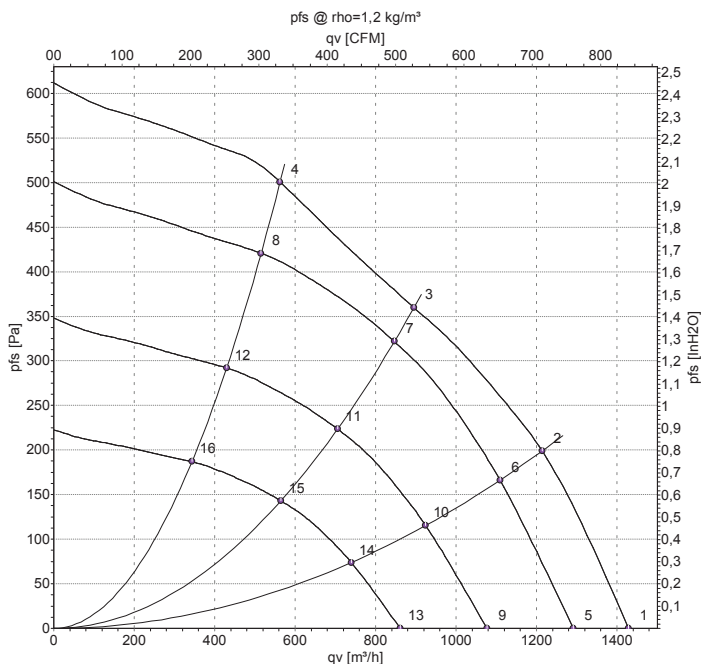
Material :	Material of electronics housing: Die-cast aluminium
	Material of impeller: PA plastic
	Housing material: PA plastic
Direction of rotation	Counter-clockwise, seen on rotor
Number of blades:	7
Protection:	IP54
Isolation:	B
Mounting position:	Any
Mode of operation:	Continuous S1
Bearings	Ball bearing
Motorprotection	Locked-rotor protection
Cable	450mm
Norm	EN 60335-1

Nominal data		Voltage	Frequency	Air flow	Speed	Power consumption	Current draw	Capacitor capacity	Sound pressure level	Min. back pressure	Perm. amb. temp.	Weight
Type	Motor	VAC	Hz	m3/h	rpm	W	A	uF/V	dB ( A )	Pa	C	kg
K3G250RE0707	M3G055-DF	230	50	1430	2510	170	1.4	-	-	-	-25..60	2.7
Subject to modification												

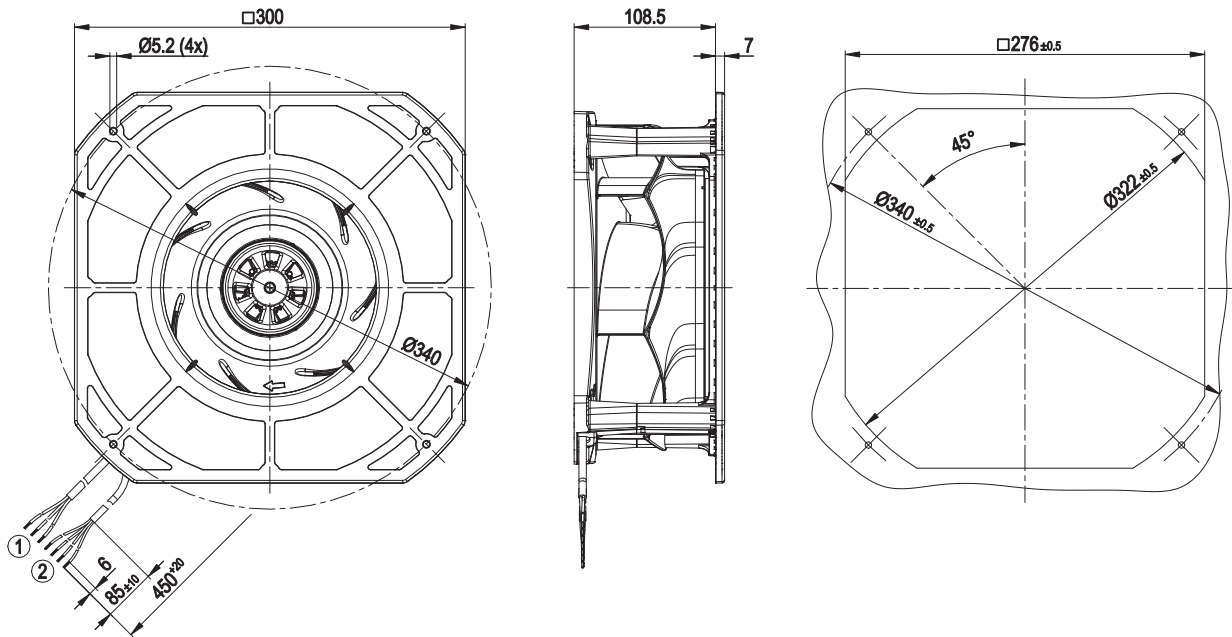
Pricing	Quantities			Accessories
	1	5-9	10>	
Product Code				Grill
K3G250RE0707	€ 263,20	€ 231,00	€ 204,10	

All prices are in euro, excluding VAT ( BTW ) Orders are shipped according to incoterms : DAP, transport costs on the basis of calculation before shipment of weight and size.  
 an extra handling fee of € 30,00 to every order with a total value of less than € 250,00 and € 15,00 to every order with a total value of € 250,00 to € 500,00 (net, excl. VAT).

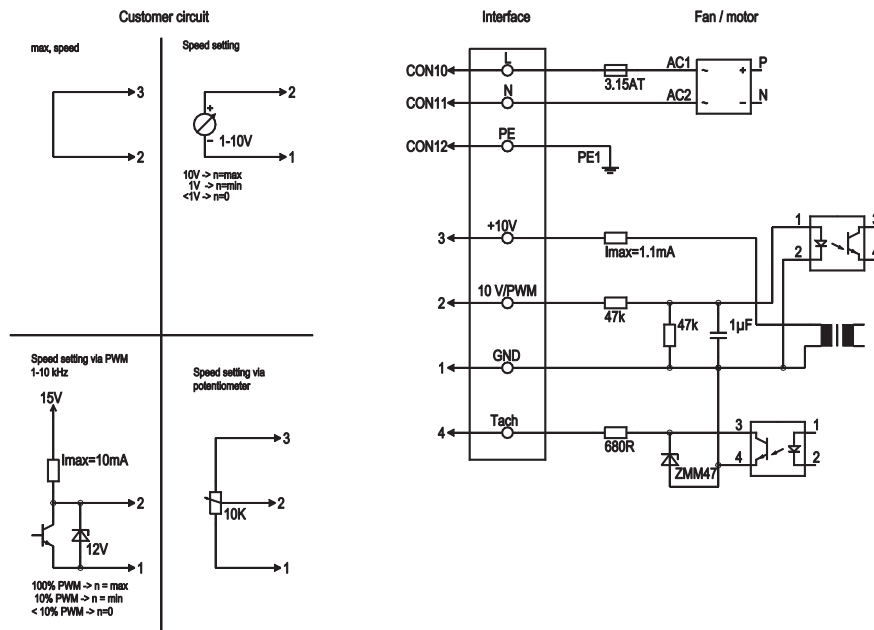
### Pressure over air flow rated Voltage



### Specific drawing



### Connection illustration





**Material :**

Material of electronics housing: Die-cast aluminium  
 Material of impeller: Aluminium sheet  
 Material of mounting plate: Sheet steel, hot-dip galvanised  
 Material of support bracket: Steel, coated in black plastic (RAL 9005)  
 Material of inlet nozzle: Sheet steel, hot-dip galvanised  
 Counter-clockwise, seen on rotor

Direction of rotation  
 Number of blades:  
 Protection:  
 Isolation:  
 Mounting position:  
 Mode of operation:  
 Bearings  
 Motorprotection  
 Cable  
 Norm

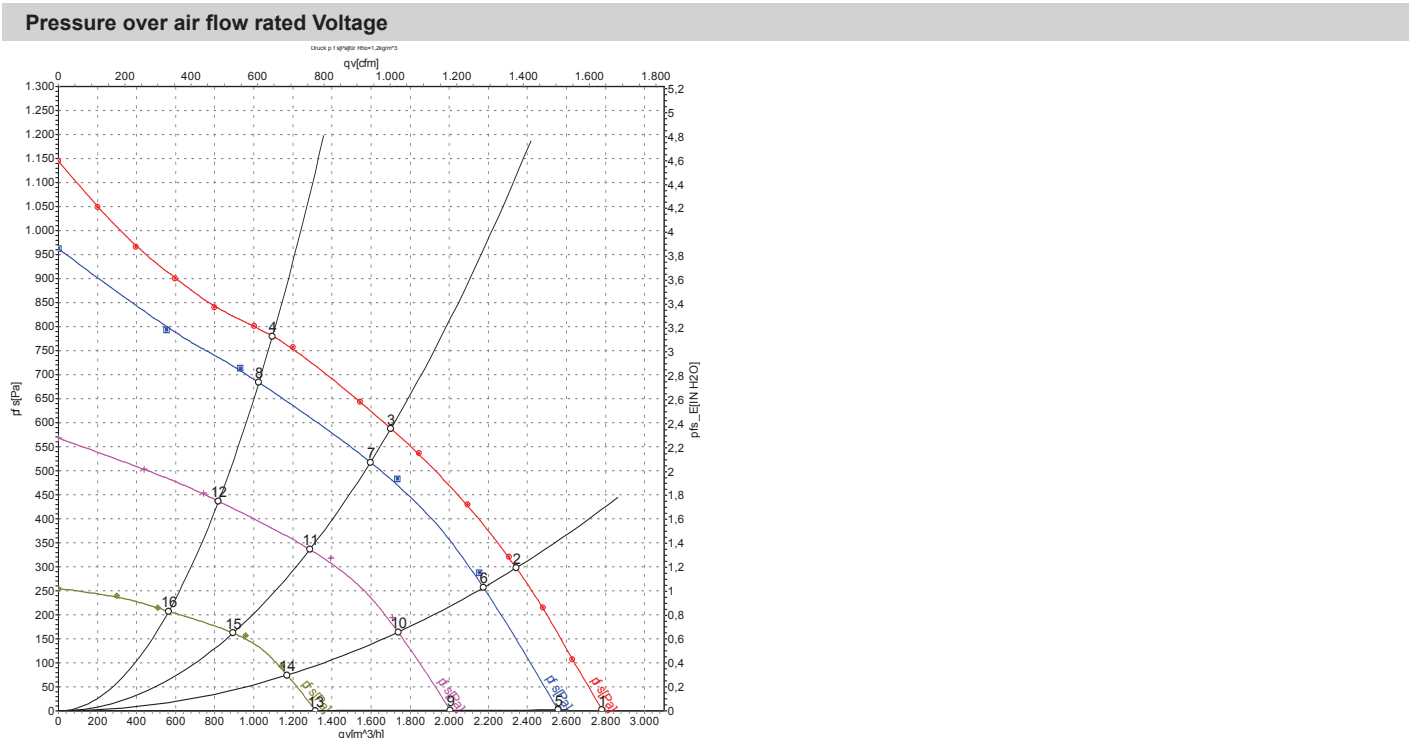
7  
 IP54  
 B  
 Shaft horizontal or rotor on bottom; rotor on top on request  
 Continuiuos S1  
 Ball bearing  
 Thermal overload protector (TOP) wired internally  
 600mm  
 EN 61800-5-1

Nominal data		Voltage	Frequency	Air flow	Speed	Power consumption	Current draw	Capacitor capacity	Sound pressure level	Min. back pressure	Perm. amb. temp.	Weight
Type	Motor	VAC	Hz	m3/h	rpm	W	A	uF/V	dB ( A )	Pa	C	kg
K3G250AT3973	M3G084-DF	230	50	2780	3000	448	2.8	-	-	-	-25..40	8.4

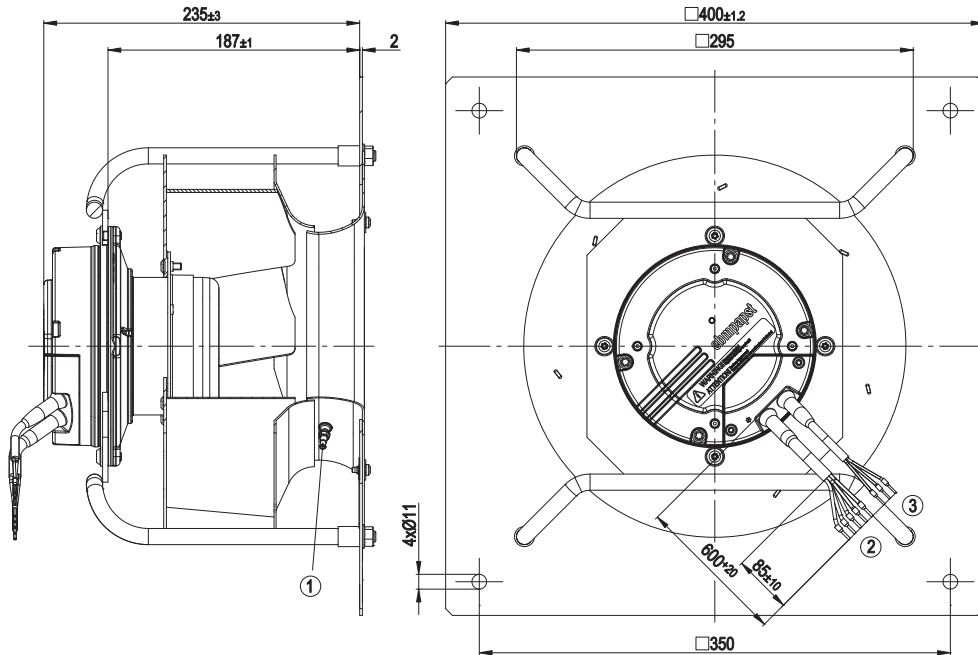
Subject to modification

Pricing	Quantities			Accessories
	1	5-9	10>	
<b>Product Code</b>				<b>Grill</b>
K3G250AT3973	€ 619,40	€ 543,60	€ 480,40	

All prices are in euro, excluding VAT ( BTW ) Orders are shipped according to incoterms : DAP, transport costs on the basis of calculation before shipment of weight and size.  
 an extra handling fee of € 30,00 to every order with a total value of less than € 250,00 and € 15,00 to every order with a total value of € 250,00 to € 500,00 (net, excl. VAT).



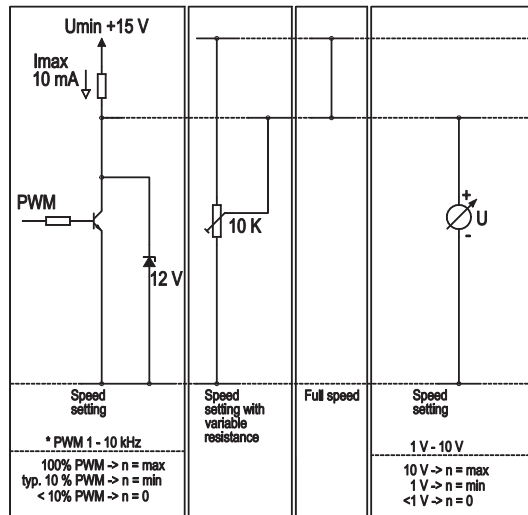
### Specific drawing



### Connection illustration

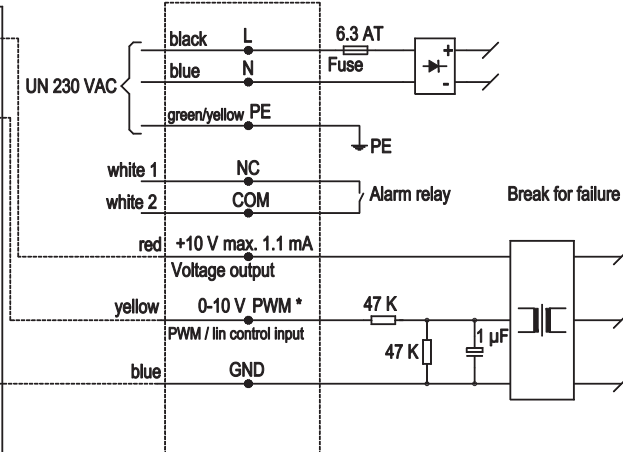
#### Customer circuit

Notes on various control possibilities and their applications



#### Connection

#### Fan / motor





Material : Material of impeller Sheet steel, coated in black  
 Housing material Die-cast aluminium  
 Direction of rotation Right, looking at rotor  
 Number of blades: 5  
 Protection: IP20  
 Bearings Sintec sleeve bearing  
 Motorprotection Protected against reverse polarity and locking  
 Cable 310mm  
 Norm IEC 60038

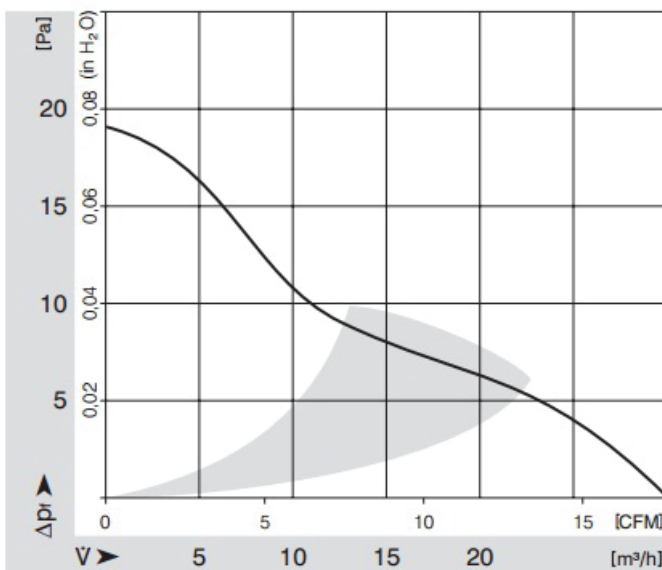
Nominal data	Voltage	Frequency	Air flow	Speed	Power consumption	Bearing	Sound pressure level	Service life 40 C	Service life at T max	Perm. amb. temp.	Weight
Type	VDC	Hz	m3/h	rpm	W		dB ( A )	Hrs	Hrs	C	kg
8880 N / 9244014343	230	50	30	1750	9.0	sleeve	18	60000	25000	-10.. 80	0.49

Note : fans used at 60Hz have slightly more air performance

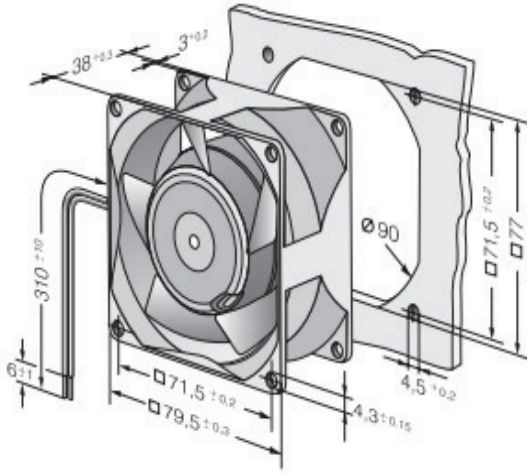
Pricing	Quantities			Accessories
	1	5-9	10>	
Product Code				Grill
8880 N / 9244014343	€ 35,80	€ 31,15	€ 26,49	

All prices are in euro, excluding VAT ( BTW ) Orders are shipped according to incoterms : DAP, transport costs on the basis of calculation before shipment of weight and size.  
 an extra handling fee of € 30,00 to every order with a total value of less than € 250,00 and € 15,00 to every order with a total value of € 250,00 to € 500,00 (net, excl. VAT).

### Pressure over air flow rated Voltage



Specific drawing



Connection illustration

80 x 80 x 38 mm



Material :  
 Direction of rotation  
 Number of blades:  
 Isolation:  
 Bearings  
 Motorprotection  
 Cable  
 Norm

Housing material: Die-cast aluminium  
 Material of impeller: Sheet steel, coated in black  
 Right, looking at rotor  
 5  
 IP20  
 Sintec sleeve bearing  
 Protected from overload using impedance protection  
 310  
 IEC 60038

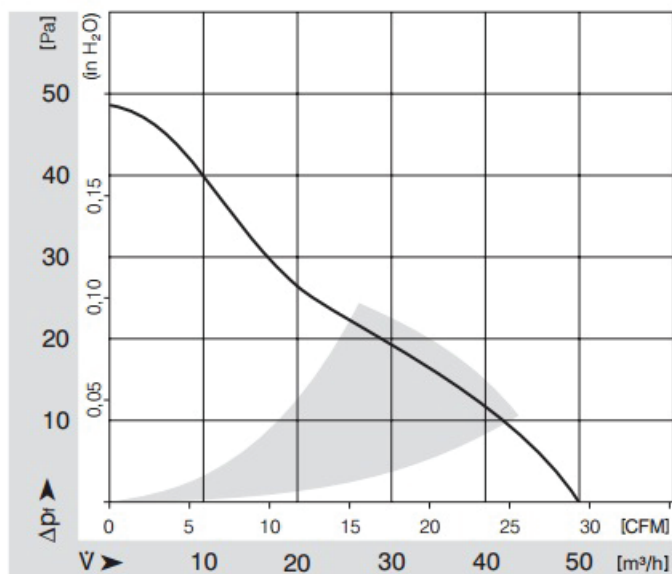
Nominal data	Voltage	Frequency	Air flow	Speed	Power consumption	Bearing	Sound pressure level	Service life 40 C	Service life at T max	Perm. amb. temp.	Weight
Type	VDC	Hz	m3/h	rpm	W		dB ( A )	Hrs	Hrs	C	kg
8550 N / 9274014208	230	50	50	2700	12.0	sleeve	30	52500	25000	-10..70	0.49

Note : fans used at 60Hz have slightly more air performance

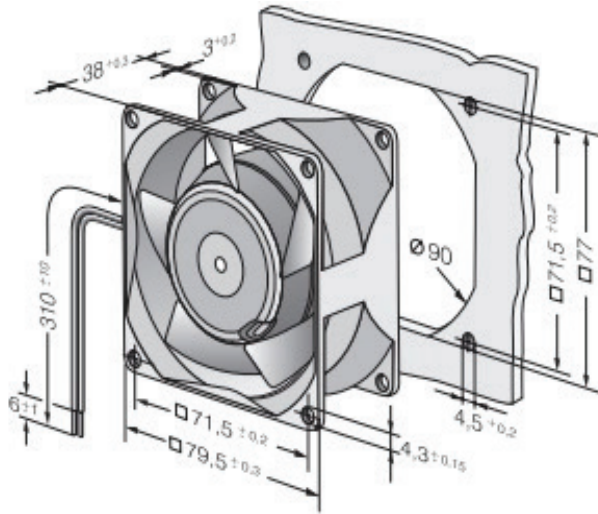
Pricing	Quantities			Accessories
	1	5-9	10>	
Product Code				Grill
8550 N / 9274014208	€ 33,76	€ 29,37	€ 24,98	

All prices are in euro, excluding VAT ( BTW ) Orders are shipped according to incoterms : DAP, transport costs on the basis of calculation before shipment of weight and size.  
 an extra handling fee of € 30,00 to every order with a total value of less than € 250,00 and € 15,00 to every order with a total value of € 250,00 to € 500,00 (net, excl. VAT).

### Pressure over air flow rated Voltage



Specific drawing



Connection illustration



Material :  
 Direction of rotation :  
 Number of blades :  
 Protection :  
 Mounting position :  
 Bearings :  
 Cable :  
 Norm :

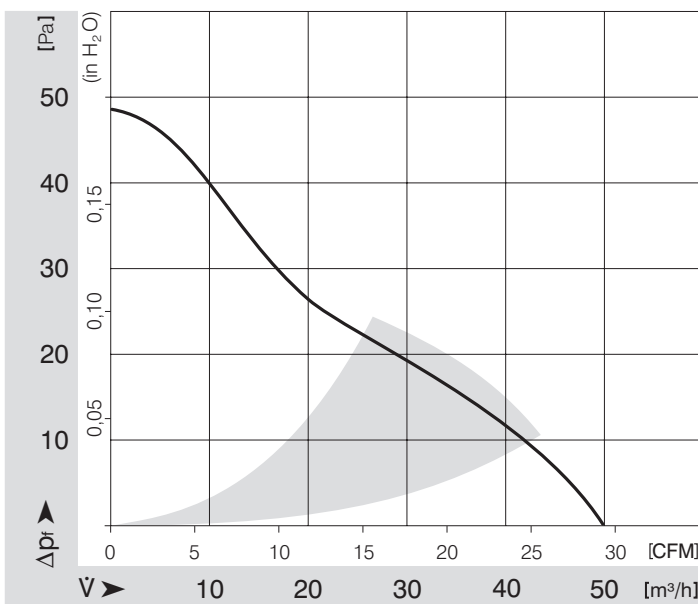
Material of housing: Metal  
 Material of impeller: Metal  
 Clockwise seen on rotor  
 5  
 IP20  
 Any  
 Ball bearing  
 310mm  
 IEC 60038

Nominal data		Voltage	Frequency	Air flow	Speed	Power consumption	Current draw	Capacitor capacity	Sound pressure level	Min. back pressure	Perm. amb. temp.	Weight
Type	Motor	VAC	Hz	m3/h	rpm	W	A	uF/V	dB ( A )	Pa	C	kg
8556 N-696 / 9244014696		230	50	50	2800	12	-	-	31		-40...90	0,38
Subject to modification												

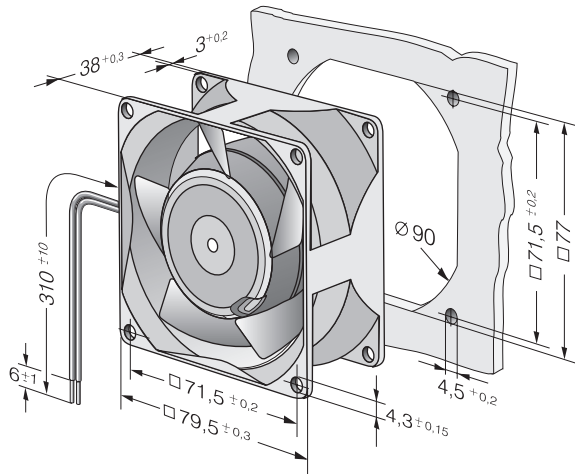
Pricing	Quantities			Accessories
	1	5-9	10>	Grill
8556 N-696 / 9244014696	€ 40,50	€ 35,24	€ 29,97	

All prices are in euro, excluding VAT ( BTW ) Orders are shipped according to incoterms : DAP, transport costs on the basis of calculation before shipment of weight and size.  
 an extra handling fee of € 30,00 to every order with a total value of less than € 250,00 and € 15,00 to every order with a total value of € 250,00 to € 500,00 (net, excl. VAT).

### Pressure over air flow rated Voltage



Specific drawing



Connection illustration

80 x 80 x 38



Material : Rotor coated Black  
 Blades coated black steelplate  
 Direction of rotation Right CW seen on rotor  
 Number of blades: 5  
 Protection: IP20  
 Isolation: B  
 Mounting position: Free,  
 Mode of operation: Continuiuos S1  
 Bearings Maintenance free Bearings  
 Motorprotection Impedance protectet  
 Cable Cable 310 mm  
 Norm IEC 60038

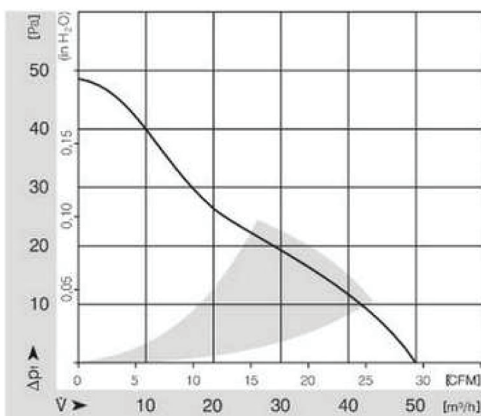
Nominal data	Voltage	Frequency	Air flow	Speed	Power consumption	Bearing	Sound pressure level	Service life 40 C	Service life at T max	Perm. amb. temp.	Weight
Type	VAC	Hz	m3/h	rpm	W		dB ( A )	Hrs	Hrs	C	kg
8526 VWR-686 / 9244014686	24	50/60	47	2800	12	Ball	31	52500	40000	-20..90	0,5

Note : fans used at 60Hz have slightly more air performance

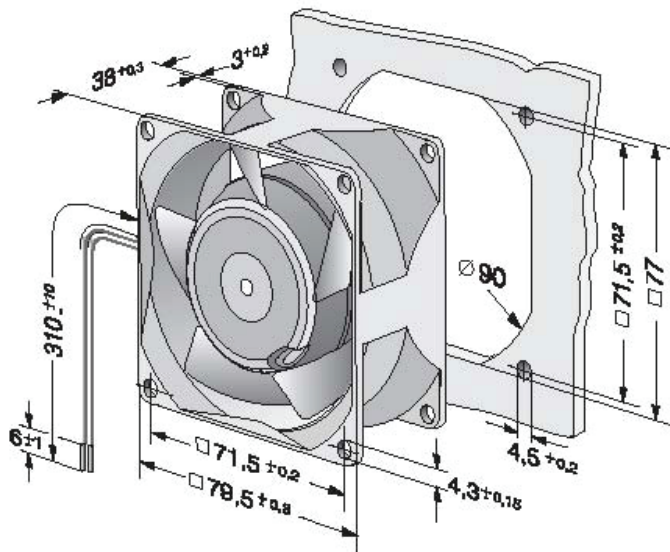
Pricing	Quantities			Accessories
	1	5-9	10>	Grill
8526 VWR-686 / 9244014686	€ 45,90	€ 39,93	€ 33,97	LZ32-4 99200.32004

All prices are in euro, excluding VAT ( BTW ) Orders are shipped according to incoterms : DAP, transport costs on the basis of calculation before shipment of weight and size.  
 an extra handling fee of € 30,00 to every order with a total value of less than € 250,00 and € 15,00 to every order with a total value of € 250,00 to € 500,00 (net, excl. VAT).

### Pressure over air flow rated Voltage



Specific drawing



92 x 92 x 25



Material : Rotor coated Black PA6  
 Blades coated black steelplate  
 Direction of rotation : Right CW seen on rotor  
 Number of blades: 5  
 Protection: IP20  
 Isolation: B  
 Mounting position: Free  
 Mode of operation: Continiuos S1  
 Bearings : Maintenance free Bearings  
 Motorprotection : Impedance protected  
 Cable : Terminal on housing 2,8 x 0,5 mm  
 Norm : IEC 60038

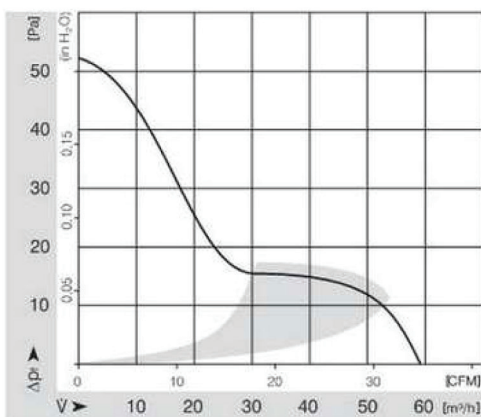
Nominal data	Voltage	Frequency	Air flow	Speed	Power consumption	Bearing	Sound pressure level	Service life 40 C	Service life at T max	Perm. amb. temp.	Weight
Type	VAC	Hz	m3/h	rpm	W		dB ( A )	Hrs	Hrs	C	kg
3956 / 9282708100	230	50/60	59	2650	11	Ball	35	55000	20000	-40..80	0,3

Note : fans used at 60Hz have slightly more air performance

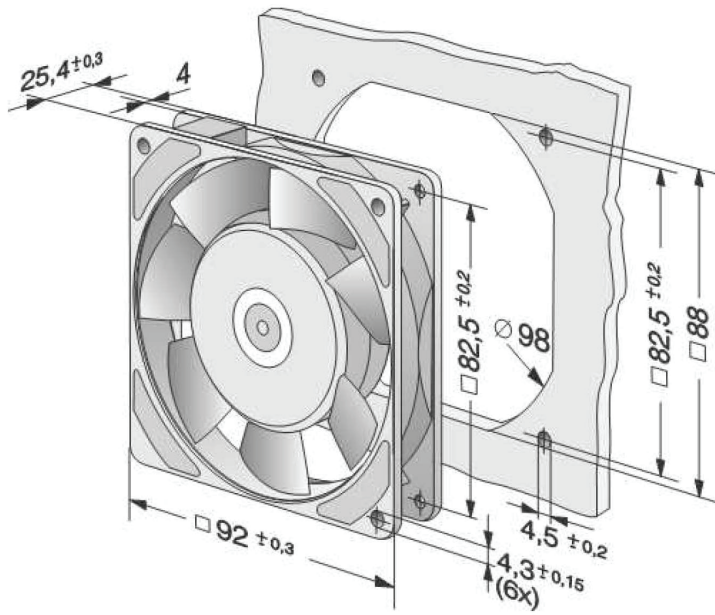
Pricing	Quantities			Accessories
	1	5-9	10>	Grill
3956 / 9282708100	€ 33,40	€ 29,06	€ 24,72	LZ23-1 9920023002

All prices are in euro, excluding VAT ( BTW ) Orders are shipped according to incoterms : DAP, transport costs on the basis of calculation before shipment of weight and size.  
 an extra handling fee of € 30,00 to every order with a total value of less than € 250,00 and € 15,00 to every order with a total value of € 250,00 to € 500,00 (net, excl. VAT).

#### Pressure over air flow rated Voltage



Specific drawing



92 x 92 x 38



Material : Rotor coated Black  
Blades coated black steelplate  
Direction of rotation : Right CW seen on rotor  
Number of blades: 5  
Protection: IP20  
Isolation: B  
Mounting position: Free  
Mode of operation: Continuiuos S1  
Bearings : Maintenance free Bearings  
Motorprotection : Impedance protected  
Cable : 310 mm  
Norm : IEC 60038

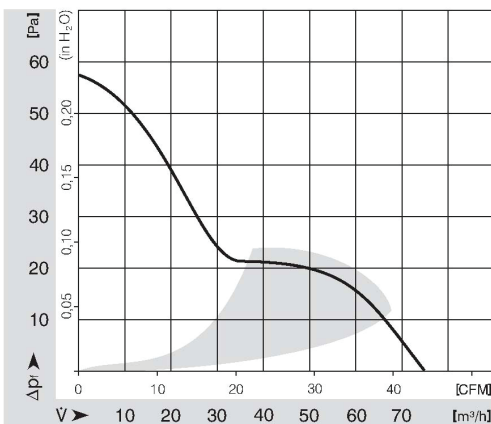
Nominal data	Voltage	Frequency	Air flow	Speed	Power consumption	Bearing	Sound pressure level	Service life 40 C	Service life at T max	Perm. amb. temp.	Weight
Type	VAC	Hz	m3/h	rpm	W		dB ( A )	Hrs	Hrs	C	kg
3656 / 9244014700	230	50/60	75	2700	12	Ball	37	52500	22500	-40..75	0,5

Note : fans used at 60Hz have slightly more air performance

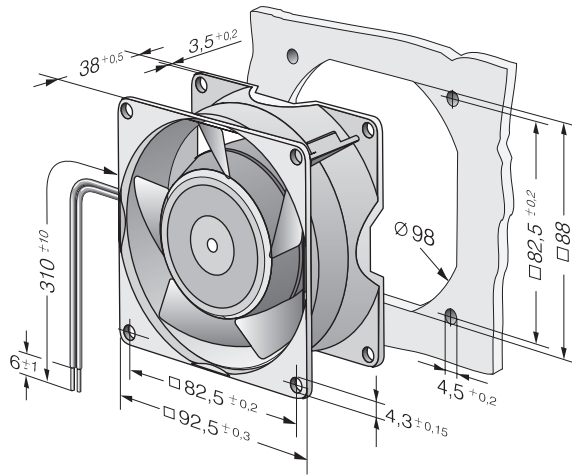
Pricing	Quantities			Accessories
	1	5-9	10>	Grill
3656 / 9244014700	€ 48,70	€ 42,37	€ 36,04	LZ23-1 9920023002

All prices are in euro, excluding VAT ( BTW ) Orders are shipped according to incoterms : DAP, transport costs on the basis of calculation before shipment of weight and size.  
an extra handling fee of € 30,00 to every order with a total value of less than € 250,00 and € 15,00 to every order with a total value of € 250,00 to € 500,00 (net, excl. VAT).

#### Pressure over air flow rated Voltage



Specific drawing



119 x 119 x 25 mm



Material :	Housing material: Die-cast aluminium
Direction of rotation	Material of impeller: Mineral-reinforced PA plastic
Number of blades:	Left, looking at rotor
Protection:	7
Isolation:	IP20
Mounting position:	B
Mode of operation:	Free
Bearings	Continuous S1
Motorprotection	Ball bearings
Cable	Protected from overload using impedance protection
Norm	Terminal on housing 2,8 x 0,5 mm
	IEC 60038

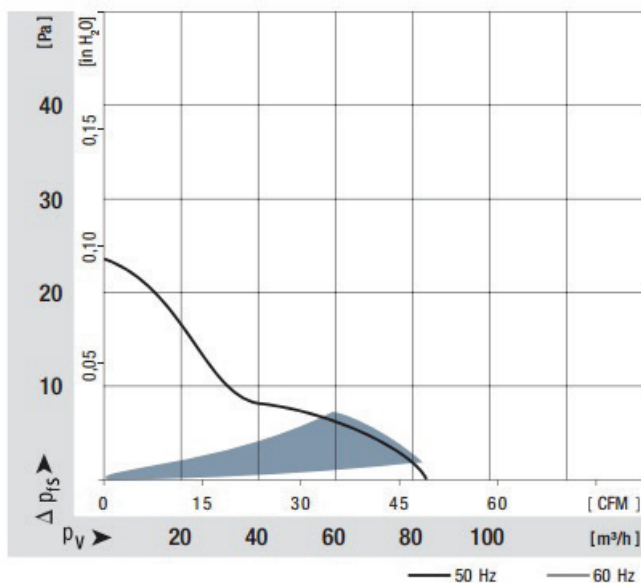
Nominal data	Voltage	Frequency	Air flow	Speed	Power consumption	Bearing	Sound pressure level	Service life 40 C	Service life at T max	Perm. amb. temp.	Weight
Type	VDC	Hz	m3/h	rpm	W		dB (	Hrs	Hrs	C	kg
9956 L / 9282708003	230	50	84	1850	9,5	ball	40	57500	22500	-40.. 80	0.325

Note : fans used at 60Hz have slightly more air performance

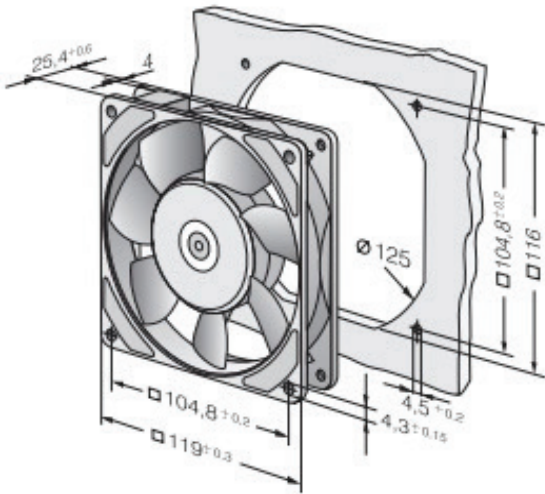
Pricing	Quantities			Accessories
	1	5-9	10>	
Product Code				Grill
9956 L / 9282708003	€ 33,80	€ 29,41	€ 25,01	

All prices are in euro, excluding VAT ( BTW ) Orders are shipped according to incoterms : DAP, transport costs on the basis of calculation before shipment of weight and size.  
 an extra handling fee of € 30,00 to every order with a total value of less than € 250,00 and € 15,00 to every order with a total value of € 250,00 to € 500,00 (net, excl. VAT).

### Pressure over air flow rated Voltage



Specific drawing



Connection illustration

119 x 119 x 25



Material : Rotor coated Black Pa6  
Blades coated black reinforced PA6  
Direction of rotation : CCW seen on rotor  
Number of blades: 7  
Protection: IP20  
Isolation: B  
Mounting position: Free  
Mode of operation: Continiuos S1  
Bearings : Maintenance free Bearings  
Motorprotection : Impedance protected  
Cable : Terminal on housing 2,8 x 0,5 mm  
Norm : IEC 60038

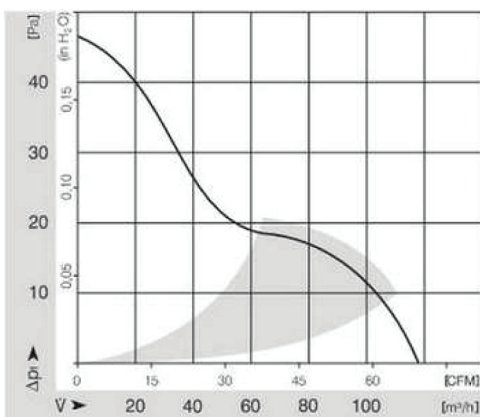
Nominal data	Voltage	Frequency	Air flow	Speed	Power consumption	Bearing	Sound pressure level	Service life 40 C	Service life at T max	Perm. amb. temp.	Weight
Type	VAC	Hz	m3/h	rpm	W		dB ( A )	Hrs	Hrs	C	kg
9956 / 9282708001	230	50/60	117	2450	14	Ball	37	47500	22500	-40..70	0,3

Note : fans used at 60Hz have slightly more air performance

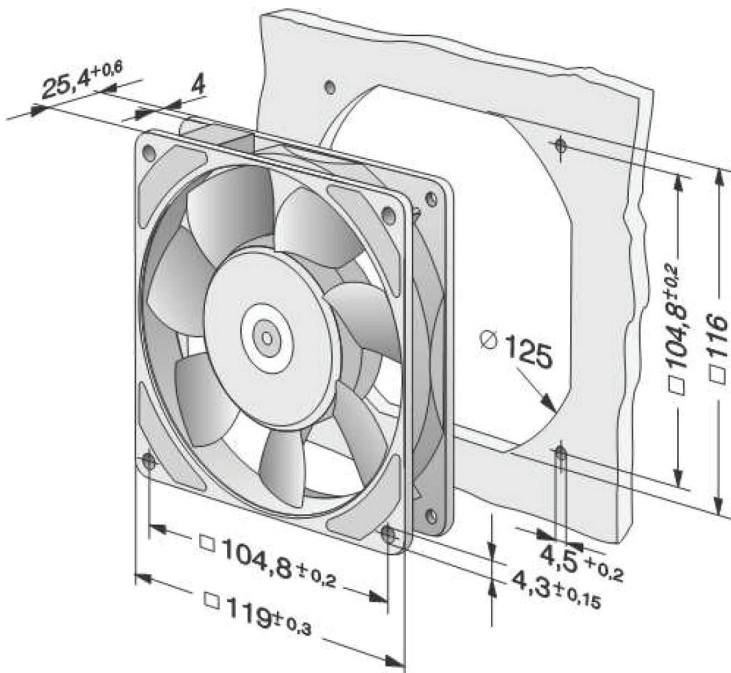
Pricing	Quantities			Accessories
	1	5-9	10>	Grill
9956 / 9282708001	€ 33,80	€ 29,41	€ 25,01	LZ30-4 9920030004

All prices are in euro, excluding VAT ( BTW ) Orders are shipped according to incoterms : DAP, transport costs on the basis of calculation before shipment of weight and size.  
an extra handling fee of € 30,00 to every order with a total value of less than € 250,00 and € 15,00 to every order with a total value of € 250,00 to € 500,00 (net, excl. VAT).

#### Pressure over air flow rated Voltage



Specific drawing



119 x 119 x 38 mm



Material : Rotor coated Black  
 Blades coated black steelplate  
 Direction of rotation: Right CW seen on rotor  
 Number of blades: 5  
 Protection: IP20  
 Isolation: B  
 Mounting position: Free  
 Mode of operation: Continuiuos S1  
 Bearings: Maintenance free Bearings  
 Motorprotection: Impedance protectet  
 Cable: Terminal on housing 3,0 x 0,5 mm  
 Norm: IEC 60038

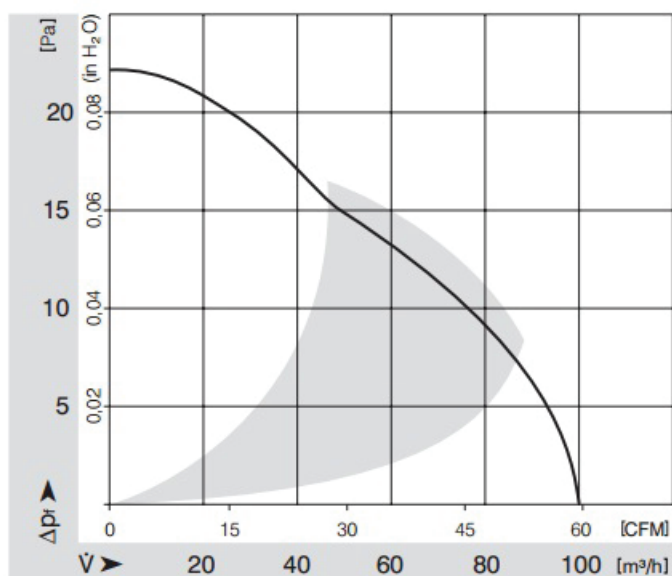
Nominal data	Voltage	Frequency	Air flow	Speed	Power consumption	Bearing	Sound pressure level	Service life 40 C	Service life at T max	Perm. amb. temp.	Weight
Type	VDC	Hz	m3/h	rpm	W		dB ( A )	Hrs	Hrs	C	kg
4850 N / 9274014111	230	50	100	1800	10.0	ball	32	57500	27500	-10..70	0.55

Note : fans used at 60Hz have slightly more air performance

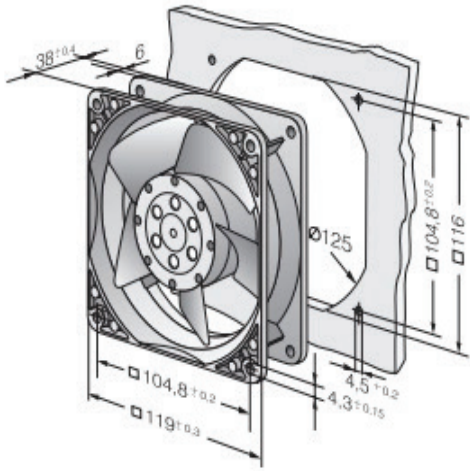
Pricing	Quantities			Accessories
	1	5-9	10>	
Product Code				Grill
4850 N / 9274014111	€ 35,50	€ 30,90	€ 26,30	

All prices are in euro, excluding VAT ( BTW ) Orders are shipped according to incoterms : DAP, transport costs on the basis of calculation before shipment of weight and size.  
 an extra handling fee of € 30,00 to every order with a total value of less than € 250,00 and € 15,00 to every order with a total value of € 250,00 to € 500,00 (net, excl. VAT).

### Pressure over air flow rated Voltage



Specific drawing



Connection illustration

119 x 119 x 38



Material : Rotor coated Black  
Blades coated black steelplate  
Direction of rotation Right CW seen on rotor  
Number of blades: 5  
Protection: IP20  
Isolation: B  
Mounting position: Free  
Mode of operation: Continuous S1  
Bearings Maintenance free Bearings  
Motorprotection Impedance protectet  
Cable Terminal on housing 3,0 x 0,5 mm  
Norm IEC 60038

Please Check our Energy saving alternative ACi4420HH

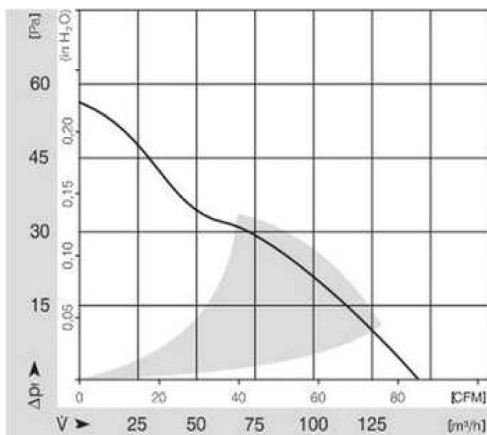
Nominal data	Voltage	Frequency	Air flow	Speed	Power consumption	Bearing	Sound pressure level	Service life 40 C	Service life at T max	Perm. amb. temp.	Weight
Type	VAC	Hz	m3/h	rpm	W		dB ( A )	Hrs	Hrs	C	kg
4550 / 9274014115	230	50/60	145	2550	16,5	sleeve	44	42500	30000	-10..55	0,5

Note : fans used at 60Hz have slightly more air performance

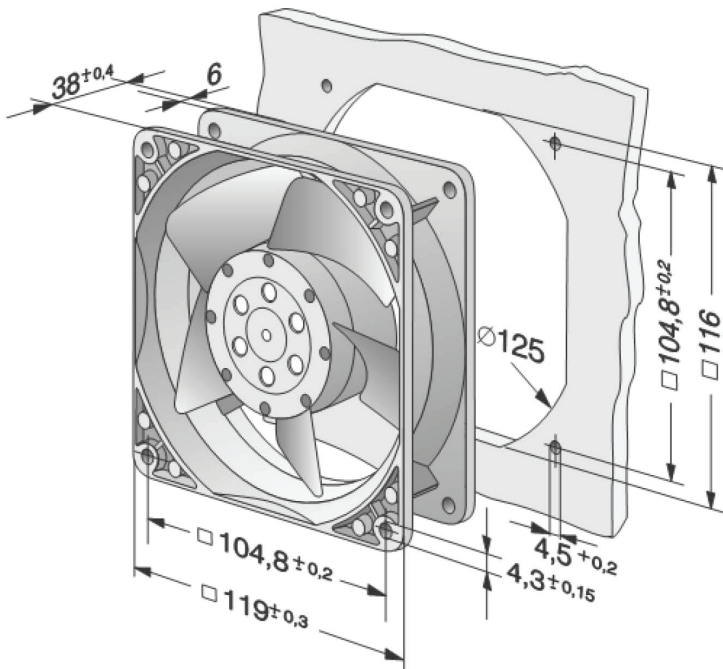
Pricing	Quantities			Accessories
	1	5-9	10>	
Product Code				Grill
4550 / 9274014115	€ 33,50	€ 29,15	€ 24,79	LZ30-4 9920030004

All prices are in euro, excluding VAT ( BTW ) Orders are shipped according to incoterms : DAP, transport costs on the basis of calculation before shipment of weight and size.  
an extra handling fee of € 30,00 to every order with a total value of less than € 250,00 and € 15,00 to every order with a total value of € 250,00 to € 500,00 (net, excl. VAT).

### Pressure over air flow rated Voltage



Specific drawing



119 x 119 x 38 mm



Material : Rotor coated Black  
Blades coated black steelplate  
Direction of rotation: Right CW seen on rotor  
Number of blades: 5  
Protection: IP20  
Isolation: B  
Mounting position: Free  
Mode of operation: Continuiuos S1  
Bearings: Maintenance free Bearings  
Motorprotection: Impedance protectet  
Cable: Terminal on housing 3,0 x 0,5 mm  
Norm: IEC 60038

Please Check our Energy saving alternative ACi4420HH

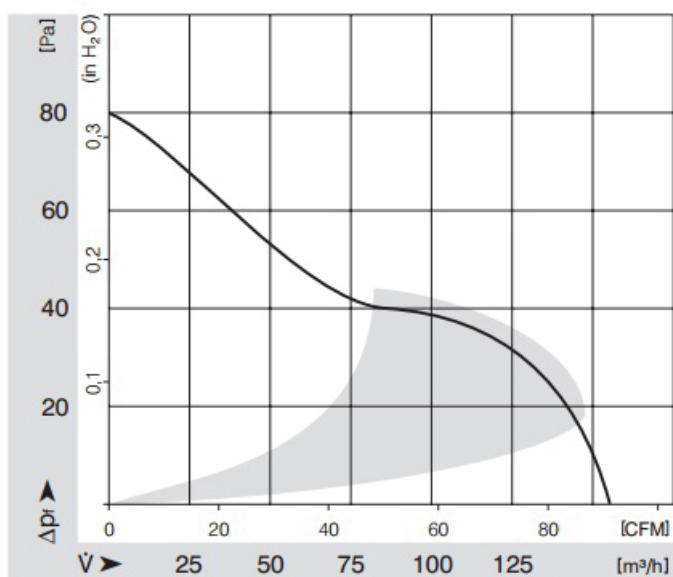
Nominal data	Voltage	Frequency	Air flow	Speed	Power consumption	Bearing	Sound pressure level	Service life 40 C	Service life at T max	Perm. amb. temp.	Weight
Type	VDC	Hz	m3/h	rpm	W		dB ( A )	Hrs	Hrs	C	kg
4650 N / 9274014351	230	50	160	2650	19	sleeve	46	37500	27500	-10.. 55	

Note : fans used at 60Hz have slightly more air performance

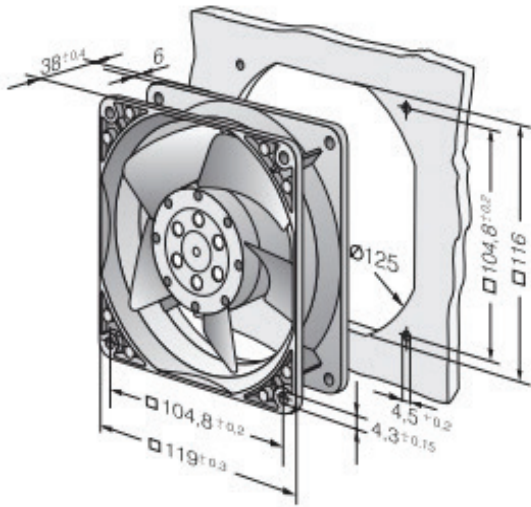
Pricing	Quantities			Accessories
	1	5-9	10>	
Product Code				Grill
4650 N / 9274014351	€ 26,70	€ 23,30	€ 19,80	

All prices are in euro, excluding VAT ( BTW ) Orders are shipped according to incoterms : DAP, transport costs on the basis of calculation before shipment of weight and size.  
an extra handling fee of € 30,00 to every order with a total value of less than € 250,00 and € 15,00 to every order with a total value of € 250,00 to € 500,00 (net, excl. VAT).

### Pressure over air flow rated Voltage



Specific drawing



Connection illustration

119 x 119 x 38



Material : Rotor coated Black  
Blades coated black steelplate  
Direction of rotation: Right CW seen on rotor  
Number of blades: 5  
Protection: IP20  
Isolation: B  
Mounting position: Free  
Mode of operation: Continuous S1  
Bearings: Maintenance free Bearings  
Motorprotection: Impedance protected  
Cable: Terminal on housing 3,0 x 0,5 mm  
Norm: IEC 60038

Please Check our Energy saving alternative ACi4420HH

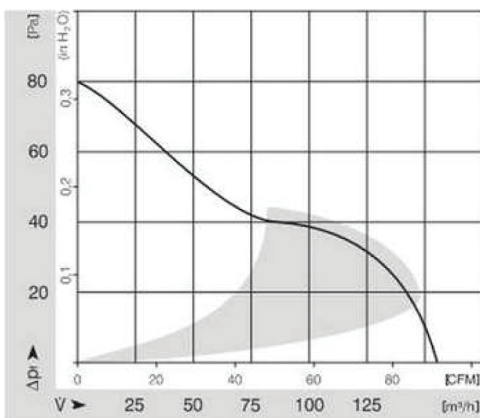
Nominal data	Voltage	Frequency	Air flow	Speed	Power consumption	Bearing	Sound pressure level	Service life 40 C	Service life at T max	Perm. amb. temp.	Weight
Type	VAC	Hz	m3/h	rpm	W		dB ( A )	Hrs	Hrs	C	kg
4656N / 9274014139	230	50	160	2650	19	Ball	47	37500	15000	-40..85	0,5

Note : fans used at 60Hz have slightly more air performance

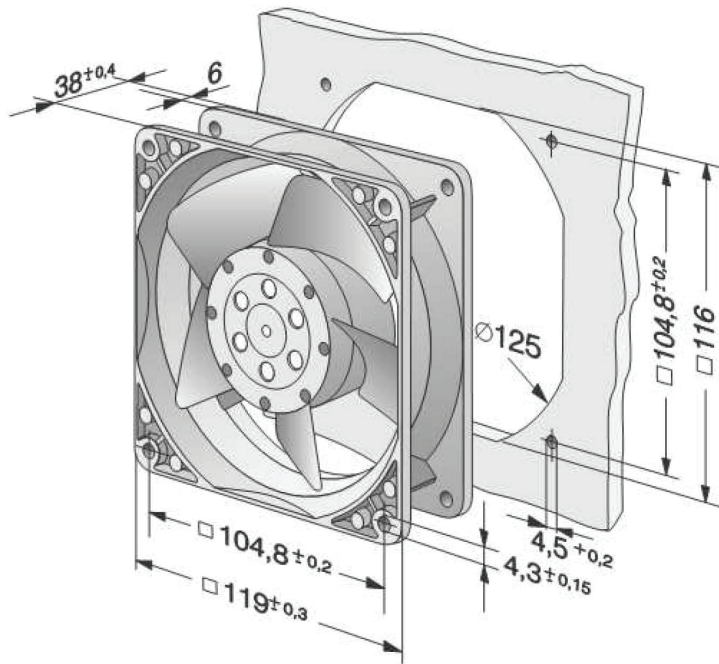
Pricing	Quantities			Accessories
	1	5-9	10>	Grill
4656N / 9274014139	€ 29,40	€ 25,60	€ 21,80	LZ30-4 9920030004

All prices are in euro, excluding VAT ( BTW ) Orders are shipped according to incoterms : DAP, transport costs on the basis of calculation before shipment of weight and size.  
an extra handling fee of € 30,00 to every order with a total value of less than € 250,00 and € 15,00 to every order with a total value of € 250,00 to € 500,00 (net, excl. VAT).

#### Pressure over air flow rated Voltage



Specific drawing





Material : Rotor coated Black  
Blades coated black steelplate

Direction of rotation Right CW seen on rotor

Number of blades: 5

Protection: IP20

Isolation: B

Mounting position: Free

Mode of operation: Continuiuos S1

Bearings Maintenance free Ball Bearings

Motorprotection Impedance protected

Cable Terminal on housing 2,8 x 0,5 mm

Norm IEC 60038

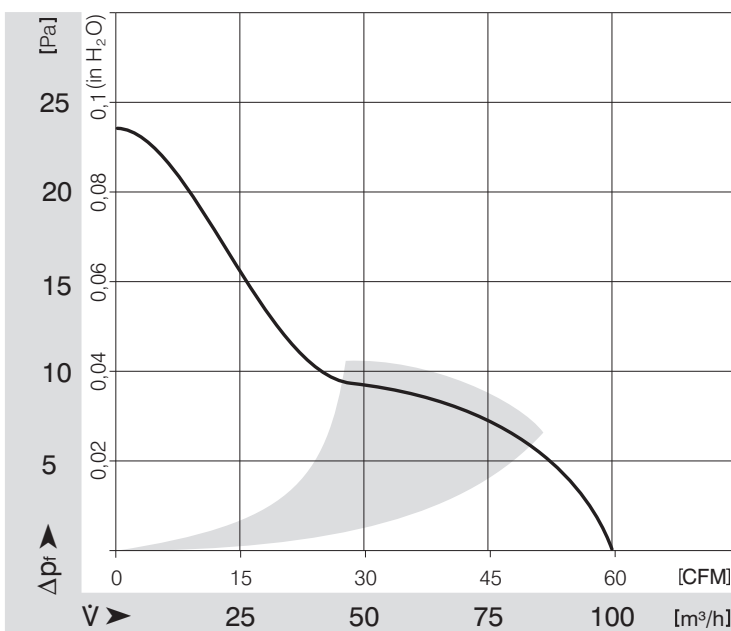
Please Check our Energy saving alternative ACi4420HH

Nominal data	Motor	Voltage	Frequency	Air flow	Speed	Power consumption	Current draw	Capacitor capacity	Sound pressure level	Min. back pressure	Perm. amb. temp.	Weight
Type		VAC	Hz	m3/h	rpm	W	A	uF/V	dB ( A )	Pa	C	kg
4856 Z VAR.857 / 9244014857		230	50	98	1700	13-	-	-	26		-40...75	0,54
Subject to modification												

Pricing	Quantities			Accessories
	1	5-9	10>	Grill
4856 Z VAR.857 / 9244014857	€ 40,90	€ 35,58	€ 30,27	

All prices are in euro, excluding VAT ( BTW ) Orders are shipped according to incoterms : DAP, transport costs on the basis of calculation before shipment of weight and size.  
an extra handling fee of € 30,00 to every order with a total value of less than € 250,00 and € 15,00 to every order with a total value of € 250,00 to € 500,00 (net, excl. VAT).

### Pressure over air flow rated Voltage







Material : Rotor coated Black  
 Blades coated black steelplate  
 Direction of rotation : Right CW seen on rotor  
 Number of blades: 5  
 Protection: IP20  
 Isolation: B  
 Mounting position: Free  
 Mode of operation: Continuiuos S1  
 Bearings : Maintenance free Ball Bearings  
 Motorprotection : Impedance protected  
 Cable : Terminal on housing 2,8 x 0,5 mm  
 Norm : IEC 60038

Please Check our Energy saving alternative ACi4420HH

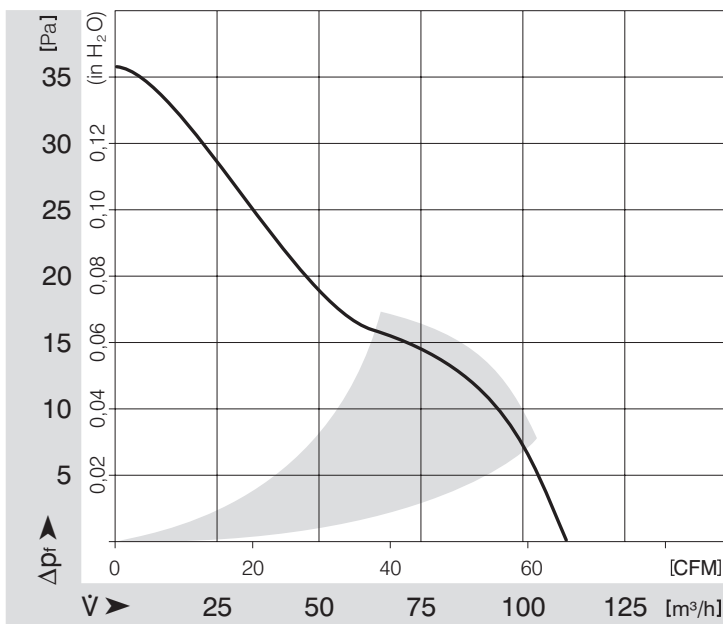
Nominal data	Voltage	Frequency	Air flow	Speed	Power consumption	Bearing	Sound pressure level	Service life 40 C	Service life at T max	Perm. amb. temp.	Weight
Type	VDC	Hz	m3/h	rpm	W		dB ( A )	Hrs	Hrs	C	kg
4586 Z / 9244014840	230	50	115	1900	13,0	ball	30	50000	20000	-40..75	0.54

Note : fans used at 60Hz have slightly more air performance

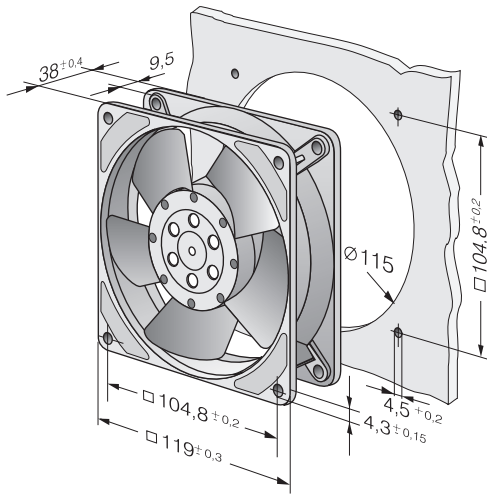
Pricing	Quantities			Accessories
	1	5-9	10>	
Product Code				Grill
4586 Z / 9244014840	€ 39,50	€ 34,37	€ 29,23	

All prices are in euro, excluding VAT ( BTW ) Orders are shipped according to incoterms : DAP, transport costs on the basis of calculation before shipment of weight and size.  
 an extra handling fee of € 30,00 to every order with a total value of less than € 250,00 and € 15,00 to every order with a total value of € 250,00 to € 500,00 (net, excl. VAT).

#### Pressure over air flow rated Voltage



Specific drawing



Connection illustration



Material :	Rotor coated Black Blades coated black steelplate
Direction of rotation	Right CW seen on rotor
Number of blades:	5
Protection:	IP20
Isolation:	B
Mounting position:	Free
Mode of operation:	Continuiuos S1
Bearings	Maintenance free Bearings
Motorprotection	Impedance protected
Cable	310mm
Norm	IEC 60038

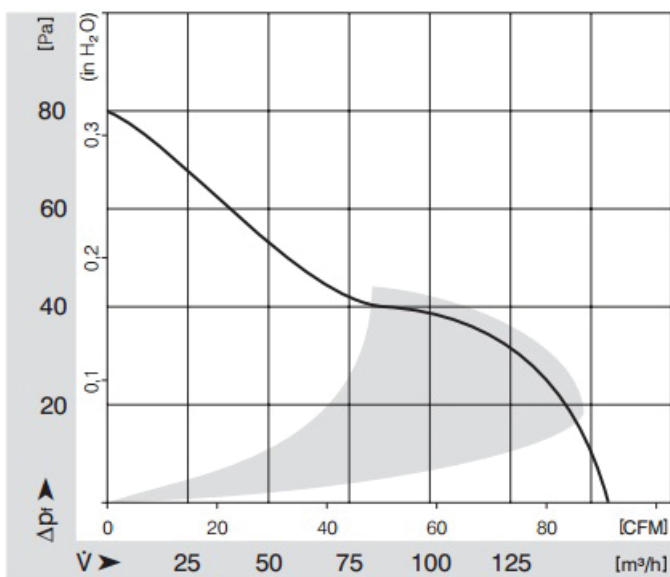
Please Check our Energy saving alternative ACi4420HH

Nominal data	Motor	Voltage	Frequency	Air flow	Speed	Power consumption	Current draw	Capacitor capacity	Sound pressure level	Min. back pressure	Perm. amb. temp.	Weight
Type		VAC	Hz	m3/h	rpm	W	A	uF/V	dB ( A )	Pa	C	kg
4650 ZW / 9244014805		230	50	160	2650	19	-	-	40		-10...50	0,54
Subject to modification												

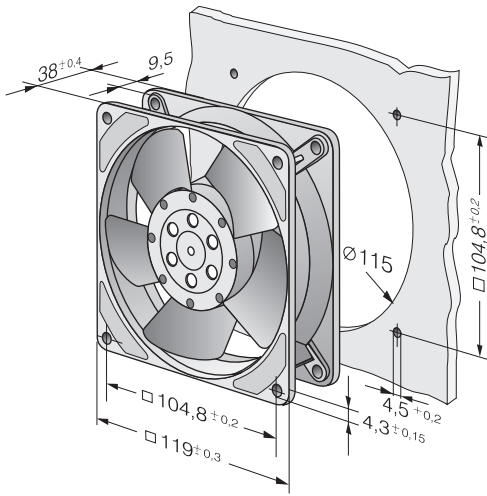
Pricing	Quantities			Accessories
	1	5-9	10>	Grill
4650 ZW / 9244014805	€ 33,50	€ 29,15	€ 24,79	

All prices are in euro, excluding VAT ( BTW ) Orders are shipped according to incoterms : DAP, transport costs on the basis of calculation before shipment of weight and size.  
an extra handling fee of € 30,00 to every order with a total value of less than € 250,00 and € 15,00 to every order with a total value of € 250,00 to € 500,00 (net, excl. VAT).

### Pressure over air flow rated Voltage



Specific drawing



Connection illustration

119 x 119 x 38 mm



Material :	Rotor coated Black Blades coated black steelplate
Direction of rotation	Right CW seen on rotor
Number of blades:	5
Protection:	IP20
Isolation:	B
Mounting position:	Free
Mode of operation:	Continuiuos S1
Bearings	Maintenance free Ball Bearings
Motorprotection	Impedance protected
Cable	Terminal on housing 2,8 x 0,5 mm
Norm	IEC 60038

Please Check our Energy saving alternative ACi4420HH

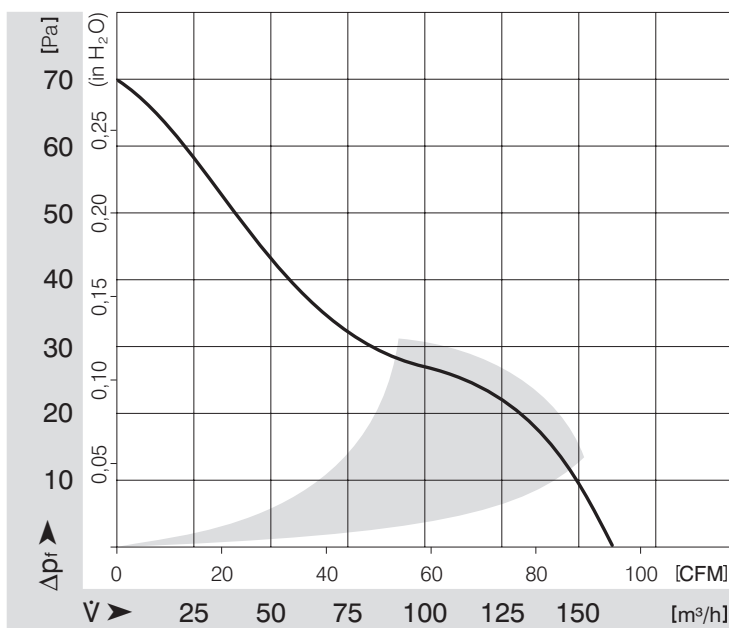
Nominal data	Voltage	Frequency	Air flow	Speed	Power consumption	Bearing	Sound pressure level	Service life 40 C	Service life at T max	Perm. amb. temp.	Weight
Type	VDC	Hz	m3/h	rpm	W		dB ( A )	Hrs	Hrs	C	kg
4656 Z / 9274014800	230	50	160	2650	19.0	ball	40	37500	17500	-40..75	0.540

Note : fans used at 60Hz have slightly more air performance

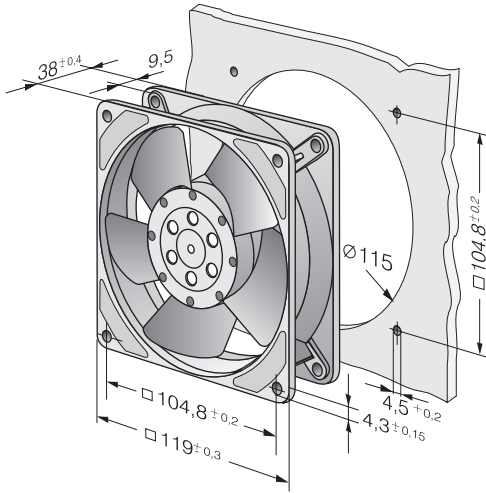
Pricing	Quantities			Accessories
	1	5-9	10>	
Product Code				Grill
4656 Z / 9274014800	€ 39,70	€ 34,50	€ 29,40	

All prices are in euro, excluding VAT ( BTW ) Orders are shipped according to incoterms : DAP, transport costs on the basis of calculation before shipment of weight and size.  
an extra handling fee of € 30,00 to every order with a total value of less than € 250,00 and € 15,00 to every order with a total value of € 250,00 to € 500,00 (net, excl. VAT).

### Pressure over air flow rated Voltage



Specific drawing



Connection illustration



Material :	Rotor coated Black Blades coated black steelplate
Direction of rotation	Right CW seen on rotor
Number of blades:	5
Protection:	IP20
Isolation:	B
Mounting position:	Free
Mode of operation:	Continuiuos S1
Bearings	Maintenance free Ball Bearings
Motorprotection	Impedance protected
Cable	310mm
Norm	IEC 60038

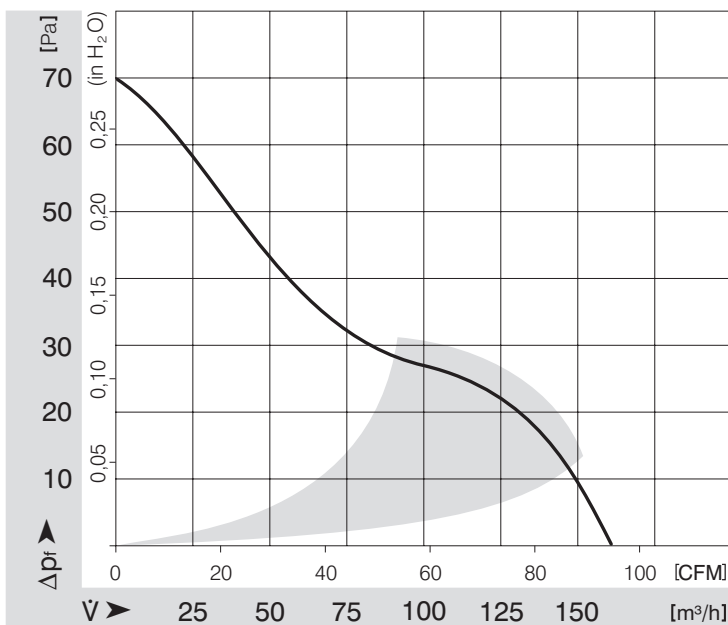
Please Check our Energy saving alternative ACi4420HH

Nominal data		Voltage	Frequency	Air flow	Speed	Power consumption	Current draw	Capacitor capacity	Sound pressure level	Min. back pressure	Perm. amb. temp.	Weight
Type	Motor	VAC	Hz	m3/h	rpm	W	A	uF/V	dB ( A )	Pa	C	kg
4656 ZW / 9274014804		230	50	160	2650	19	-	-	40		-40...75	0,54
Subject to modification												

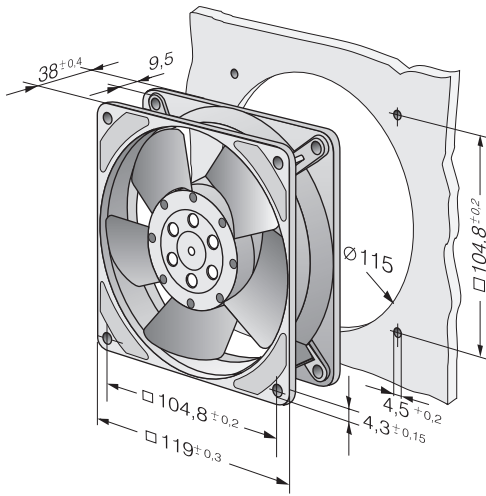
Pricing	Quantities			Accessories
	1	5-9	10>	Grill
4656 ZW / 9274014804	€ 39,70	€ 34,50	€ 29,40	

All prices are in euro, excluding VAT ( BTW ) Orders are shipped according to incoterms : DAP, transport costs on the basis of calculation before shipment of weight and size.  
an extra handling fee of € 30,00 to every order with a total value of less than € 250,00 and € 15,00 to every order with a total value of € 250,00 to € 500,00 (net, excl. VAT).

### Pressure over air flow rated Voltage



Specific drawing



Connection illustration



Material :	Rotor coated Black
	Blades coated black steelplate
Direction of rotation	Right CW seen on rotor, air intake over struts
Number of blades:	5
Protection:	IP20
Isolation:	B
Mounting position:	Free
Mode of operation:	Continuios S1
Bearings	Maintenance free Ball Bearings
Motorprotection	Impedance protected
Cable	310mm
Norm	IEC 60038

Nominal data	Voltage	Frequency	Air flow	Speed	Power consumption	Bearing	Sound pressure level	Service life 40 C	Service life at T max	Perm. amb. temp.	Weight
Type	VDC	Hz	m3/h	rpm	W		dB ( A )	Hrs	Hrs	C	kg
4656 TA / 9244014890	230	50	125	2600	19.0	ball	42	37500	20000	-40..65	0.42

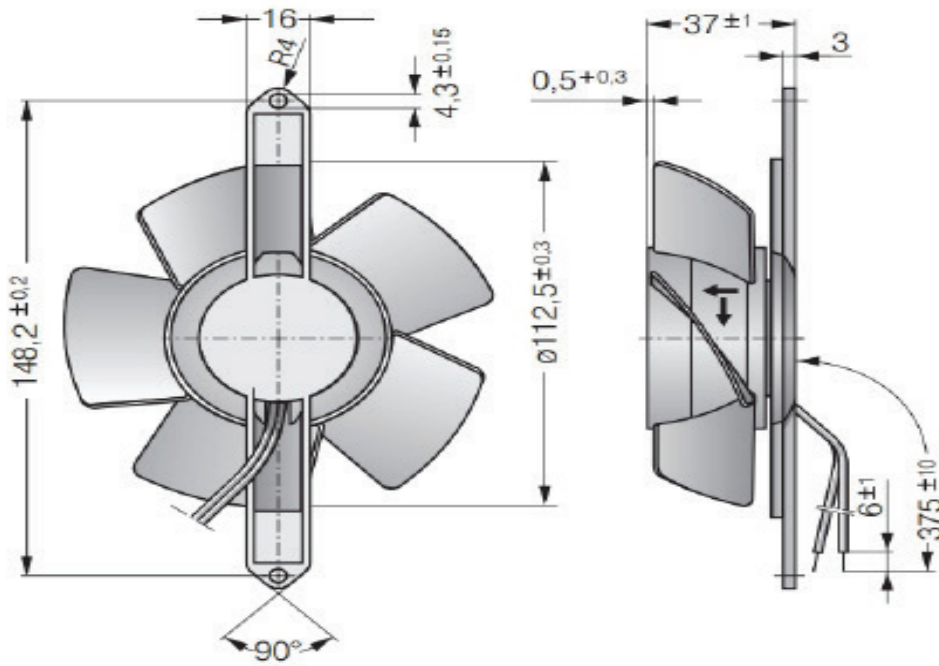
Note : fans used at 60Hz have slightly more air performance

Pricing	Quantities			Accessories
	1	5-9	10>	
Product Code				Grill
4656 TA / 9244014890	€ 45,90	€ 39,93	€ 33,97	

All prices are in euro, excluding VAT ( BTW ) Orders are shipped according to incoterms : DAP, transport costs on the basis of calculation before shipment of weight and size.  
 an extra handling fee of € 30,00 to every order with a total value of less than € 250,00 and € 15,00 to every order with a total value of € 250,00 to € 500,00 (net, excl. VAT).

### Pressure over air flow rated Voltage

Specific drawing



Connection illustration



Material : Rotor coated Black  
 Blades coated black steelplate  
 Direction of rotation: Right CW seen on rotor, blowing over struts  
 Number of blades: 5  
 Protection: IP20  
 Isolation: B  
 Mounting position: Free  
 Mode of operation: Continuios S1  
 Bearings: Maintenance free Ball Bearings  
 Motorprotection: Impedance protected  
 Cable: 310mm  
 Norm: IEC 60038

Nominal data	Voltage	Frequency	Air flow	Speed	Power consumption	Bearing	Sound pressure level	Service life 40 C	Service life at T max	Perm. amb. temp.	Weight
Type	VDC	Hz	m3/h	rpm	W		dB ( A )	Hrs	Hrs	C	kg
4656 TZ / 9244014896	230	50	125	2600	19.0	ball	42	37500	17500	-40..65	0.43

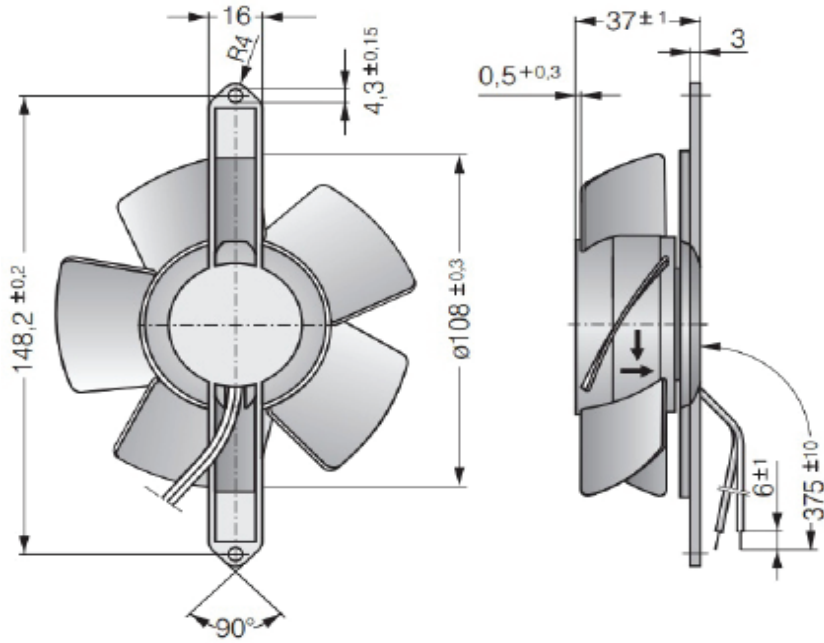
Note : fans used at 60Hz have slightly more air performance

Pricing	Quantities			Accessories
	1	5-9	10>	
Product Code				Grill
4656 TZ / 9244014896	€ 45,90	€ 39,93	€ 33,97	

All prices are in euro, excluding VAT ( BTW ) Orders are shipped according to incoterms : DAP, transport costs on the basis of calculation before shipment of weight and size.  
 an extra handling fee of € 30,00 to every order with a total value of less than € 250,00 and € 15,00 to every order with a total value of € 250,00 to € 500,00 (net, excl. VAT).

### Pressure over air flow rated Voltage

Specific drawing



Connection illustration

119 x 119 x 38



Material : Rotor coated Black  
Blades coated black steelplate

Direction of rotation Right CW seen on rotor

Number of blades: 5

Protection: IP20

Isolation: B

Mounting position: Free

Mode of operation: Continuiuos S1

Bearings Maintenance free Bearings

Motorprotection Impedance protected

Cable Terminal on housing 3,0 x 0,5 mm

Norm IEC 60038

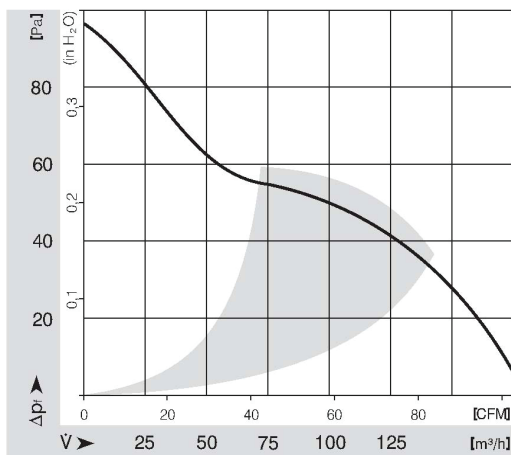
Nominal data	Voltage	Frequency	Air flow	Speed	Power consumption	Bearing	Sound pressure level	Service life 40 C	Service life at T max	Perm. amb. temp.	Weight
Type	VAC	Hz	m3/h	rpm	W		dB ( A )	Hrs	Hrs	C	kg
4606 N / 9274014147	115	50/60	180	2700	18	Ball	51	40000	15000	-40..90	0,5

Note : fans used at 60Hz have slightly more air performance

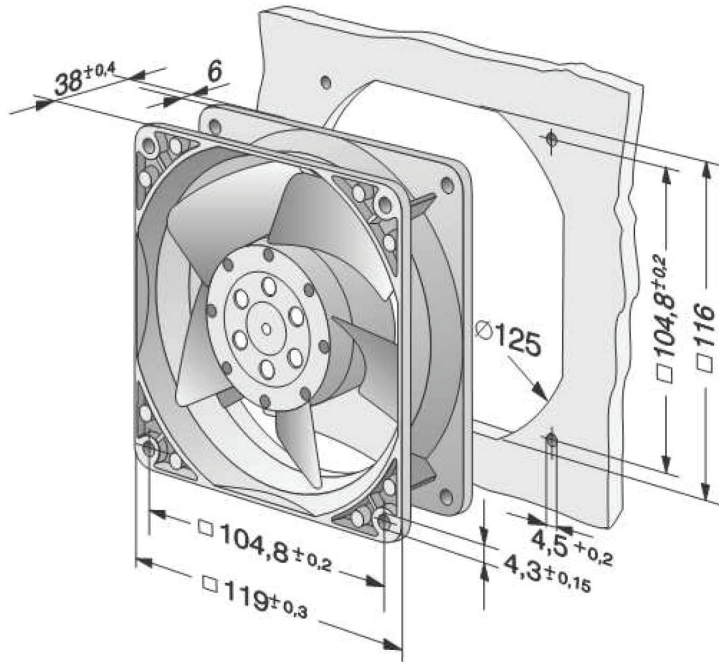
Pricing	Quantities			Accessories
	1	5-9	10>	Grill
4606 N / 9274014147	€ 29,40	€ 25,60	€ 21,80	LZ30-4 9920030004

All prices are in euro, excluding VAT ( BTW ) Orders are shipped according to incoterms : DAP, transport costs on the basis of calculation before shipment of weight and size.  
an extra handling fee of € 30,00 to every order with a total value of less than € 250,00 and € 15,00 to every order with a total value of € 250,00 to € 500,00 (net, excl. VAT).

### Pressure over air flow rated Voltage



Specific drawing





Material : Rotor PA6  
Blades PA6

Direction of rotation : Right CW seen on rotor

Number of blades: 5

Protection: IP20

Isolation: B

Mounting position: Free

Mode of operation: Continuous S1

Bearings : Maintenance free Bearings

Motorprotection : Locked rotor

Cable : Terminals 2,8 x 0,5 mm

Norm : IEC 60038

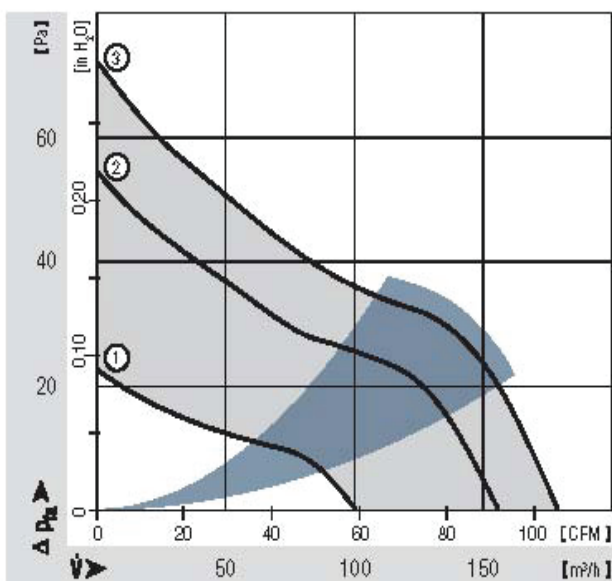
Nominal data		Voltage	Frequency	Air flow	Speed	Power consumption	Bearing	Sound pressure level	Service life 40 C	Service life at T max	Perm. amb. temp.	Weight
Type	Motor	VAC	Hz	m3/h	rpm	W		dB ( A )	Hrs	Hrs	C	kg
ACi4420HH / 9203509001		195-265	50/60	175	3300	4,4	Ball	42	65000	25000	-20..75	0,25

Note : fans used at 60Hz have slightly more air performance

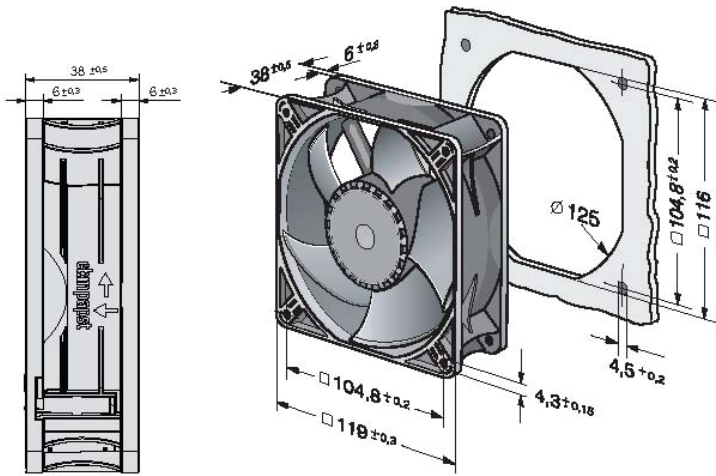
Pricing	Quantities			Accessories
	1	5-9	10>	
Product Code				Grill
ACi4420HH / 9203509001	€ 42,00	€ 36,50	€ 31,10	LZ 30-4 / 992003004

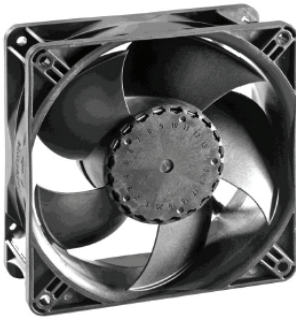
All prices are in euro, excluding VAT ( BTW ) Orders are shipped according to incoterms : DAP, transport costs on the basis of calculation before shipment of weight and size.  
an extra handling fee of € 30,00 to every order with a total value of less than € 250,00 and € 15,00 to every order with a total value of € 250,00 to € 500,00 (net, excl. VAT).

### Pressure over air flow rated Voltage



Specific drawing





Material : Rotor PA6  
Blades PA6

Direction of rotation : Right CW seen on rotor

Number of blades: 5

Protection: IP65

Isolation: B

Mounting position: Free

Mode of operation: Continuiuos S1

Bearings : Maintenance free Bearings

Motorprotection : Locked rotor

Cable : Terminals 2,8 x 0,5 mm

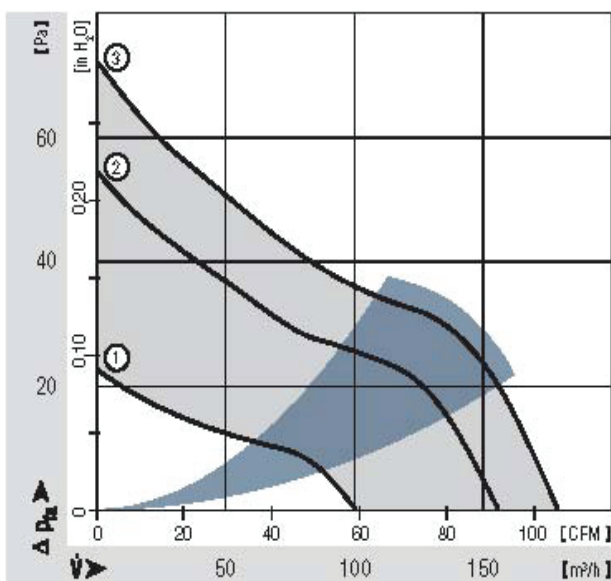
Norm : IEC 60038

Nominal data	Motor	Voltage	Frequency	Air flow	Speed	Power consumption	Bearings	Capacitor capacity	Sound pressure level	Min. back pressure	Perm. amb. temp.	Weight
Type		VAC	Hz	m3/h	rpm	W		uF/V	dB ( A )	Pa	C	kg
ACi 4420 HHU / 9203509007		230	50	175	3300	4,4	Ball	-	43	27	-20...75	0,275
Subject to modification												

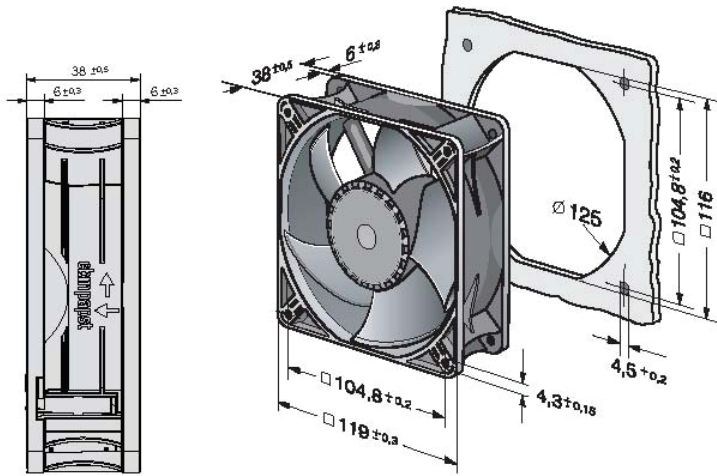
Pricing	Quantities			Accessories
	1	5-9	10>	
Product Code				Grill
ACi 4420 HHU / 9203509007	€ 66,88	€ 58,19	€ 49,49	LZ 30-4 / 992003004

All prices are in euro, excluding VAT ( BTW ) Orders are shipped according to incoterms : DAP, transport costs on the basis of calculation before shipment of weight and size.  
an extra handling fee of € 30,00 to every order with a total value of less than € 250,00 and € 15,00 to every order with a total value of € 250,00 to € 500,00 (net, excl. VAT).

### Pressure over air flow rated Voltage



Specific drawing



Connection illustration

127 x 127 x 38



Material : Rotor coated Black  
 Blades coated black steelplate  
 Direction of rotation Right CCW seen on rotor  
 Number of blades: 7  
 Protection: IP20  
 Isolation: B  
 Mounting position: Free  
 Mode of operation: Continiuos S1  
 Bearings Maintenance free Bearings  
 Motorprotection Impedance protectet  
 Cable Terminal on housing 2,8 x 0,8 mm  
 Norm IEC 60038

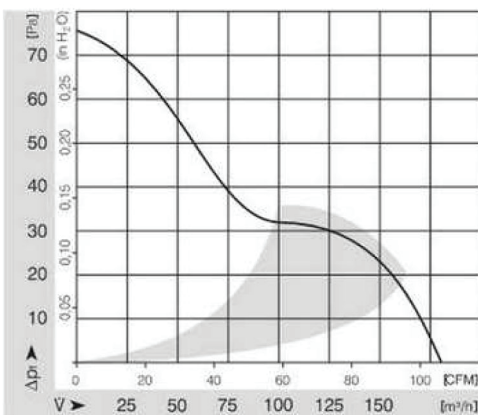
Nominal data	Voltage	Frequency	Air flow	Speed	Power consumption	Bearing	Sound pressure level	Service life 40 C	Service life at T max	Perm. amb. temp.	Weight
Type	VAC	Hz	m3/h	rpm	W		dB ( A )	Hrs	Hrs	C	kg
5958 / 9283118300	230	50/60	180	2700	18	Ball	44	40000	25000	-30..60	0,57

Note : fans used at 60Hz have slightly more air performance

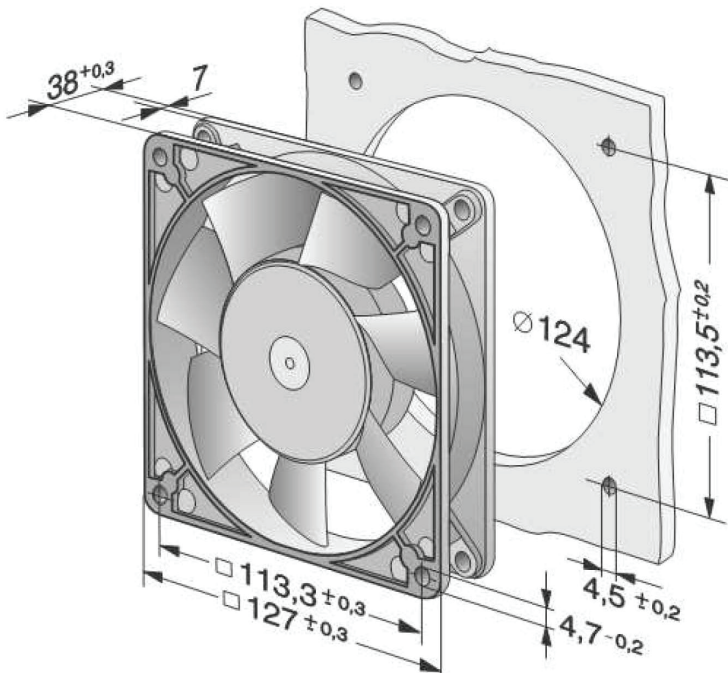
Pricing	Quantities			Accessories
	1	5-9	10>	Grill
5958 / 9283118300	€ 45,40	€ 39,50	€ 33,60	LZ 35 9920035000

All prices are in euro, excluding VAT ( BTW ) Orders are shipped according to incoterms : DAP, transport costs on the basis of calculation before shipment of weight and size.  
 an extra handling fee of € 30,00 to every order with a total value of less than € 250,00 and € 15,00 to every order with a total value of € 250,00 to € 500,00 (net, excl. VAT).

#### Pressure over air flow rated Voltage



Specific drawing



135 x 135 x 38



Material : Rotor coated Black  
Blades coated black steelplate  
Direction of rotation: Right CW seen on rotor  
Number of blades: 7  
Protection: IP20  
Isolation: B  
Mounting position: Free  
Mode of operation: Continiuos S1  
Bearings: Maintenance free Bearings  
Motorprotection: Impedance protected  
Cable: Terminal on housing 2,8 x 0,5 mm  
Norm: IEC 60038

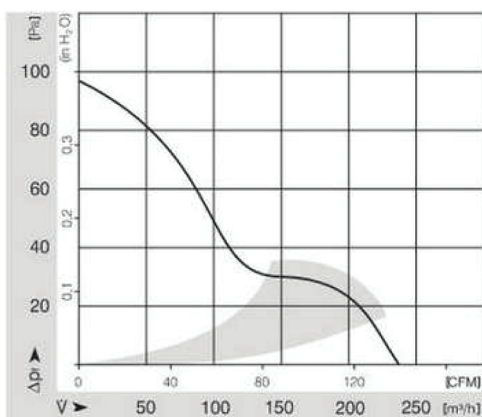
Nominal data	Voltage	Frequency	Air flow	Speed	Power consumption	Bearing	Sound pressure level	Service life 40 C	Service life at T max	Perm. amb. temp.	Weight
Type	VAC	Hz	m3/h	rpm	W		dB ( A )	Hrs	Hrs	C	kg
5656 S / 9245012001	230	50/60	235	2700	30	Ball	46	45000	20000	-35..70	0,5

Note : fans used at 60Hz have slightly more air performance

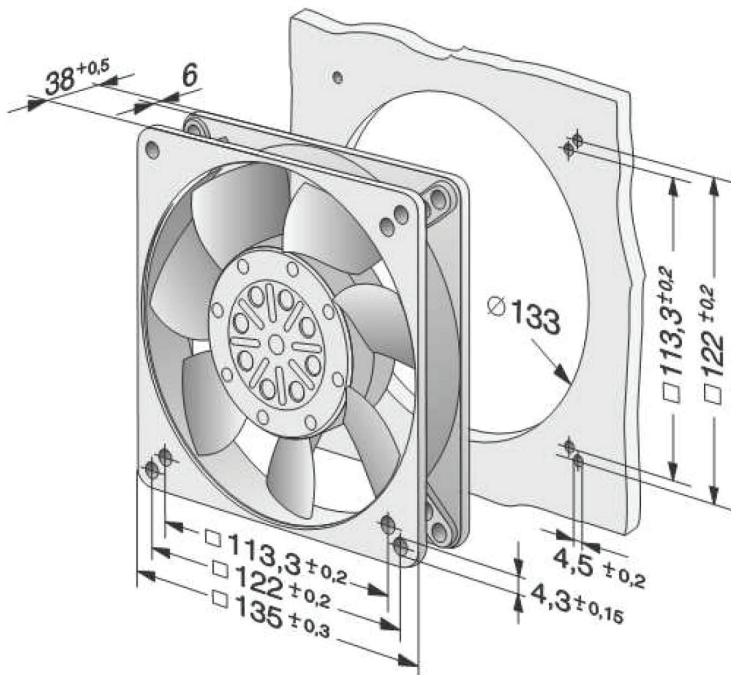
Pricing	Quantities			Accessories
	1	5-9	10>	
Product Code				Grill
5656 S / 9245012001	€ 74,90	€ 65,16	€ 55,43	LZ35 9920035000

All prices are in euro, excluding VAT ( BTW ) Orders are shipped according to incoterms : DAP, transport costs on the basis of calculation before shipment of weight and size.  
an extra handling fee of € 30,00 to every order with a total value of less than € 250,00 and € 15,00 to every order with a total value of € 250,00 to € 500,00 (net, excl. VAT).

### Pressure over air flow rated Voltage



Specific drawing



150 Ø x 55



Material : Rotor coated Black  
Blades coated black steelplate  
Direction of rotation Right CCW seen on rotor  
Number of blades: 7  
Protection: IP20  
Isolation: B  
Mounting position: Free  
Mode of operation: Continiuos S1  
Bearings Maintenance free Bearings  
Motorprotection Impedance protectet  
Cable 330 mm wire  
Norm IEC 60038

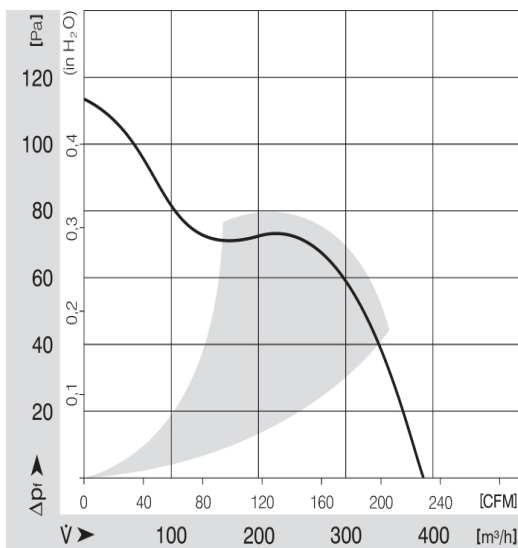
Nominal data	Voltage	Frequency	Air flow	Speed	Power consumption	Bearing	Sound pressure level	Service life 40 C	Service life at T max	Perm. amb. temp.	Weight
Type	VAC	Hz	m3/h	rpm	W		dB ( A )	Hrs	Hrs	C	kg
7450 ES / 9275220001	230	50/60	380	2700	47	Ball	60	63000	50000	-25..50	1.1

Note : fans used at 60Hz have slightly more air performance

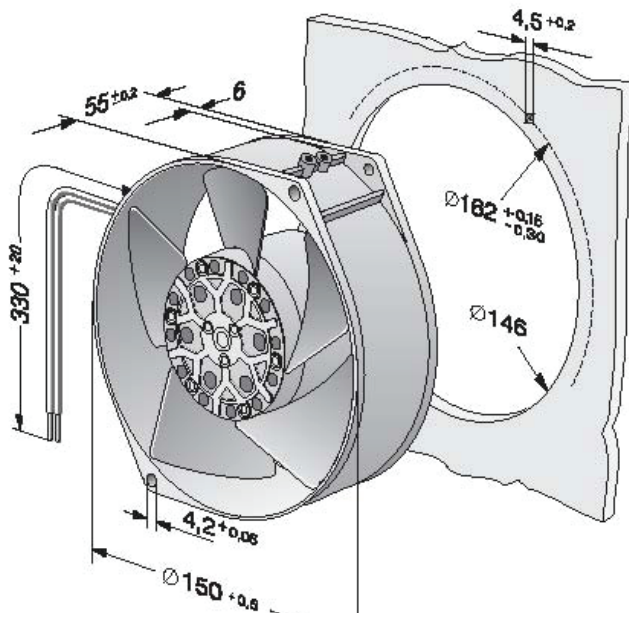
Pricing	Quantities			Accessories
	1	5-9	10>	Grill
7450 ES / 9275220001	€ 84,90	€ 73,86	€ 62,83	LZ36 9920036000

All prices are in euro, excluding VAT ( BTW ) Orders are shipped according to incoterms : DAP, transport costs on the basis of calculation before shipment of weight and size.  
an extra handling fee of € 30,00 to every order with a total value of less than € 250,00 and € 15,00 to every order with a total value of € 250,00 to € 500,00 (net, excl. VAT).

### Pressure over air flow rated Voltage



Specific drawing



150 Ø x 55



Material : Rotor coated Black  
 Blades coated black steelplate  
 Direction of rotation Right CCW seen on rotor  
 Number of blades: 7  
 Protection: IP20  
 Isolation: B  
 Mounting position: Free  
 Mode of operation: Continuiuos S1  
 Bearings Maintenance free Bearings  
 Motorprotection Impedance protectet  
 Cable 310 mm wire  
 Norm IEC 60038

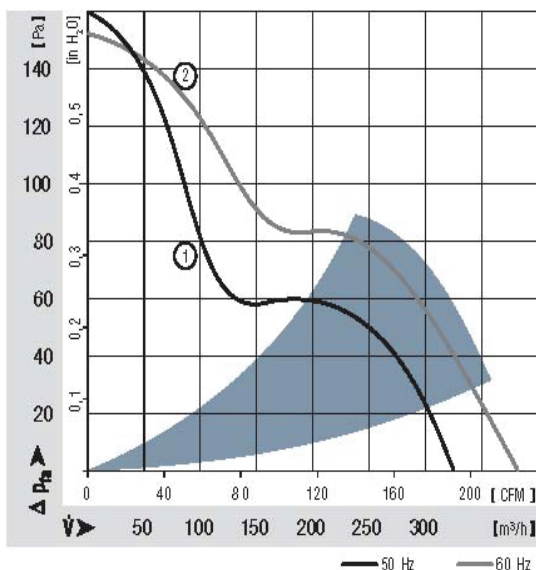
Nominal data	Voltage	Frequency	Air flow	Speed	Power consumption	Bearing	Sound pressure level	Service life 40 C	Service life at T max	Perm. amb. temp.	Weight
Type	VAC	Hz	m3/h	rpm	W		dB ( A )	Hrs	Hrs	C	kg
W2S130AA0301	230	50/60	325	2800	45	Ball	49	60000	23000	-25..70	1,1

Note : fans used at 60Hz have slightly more air performance

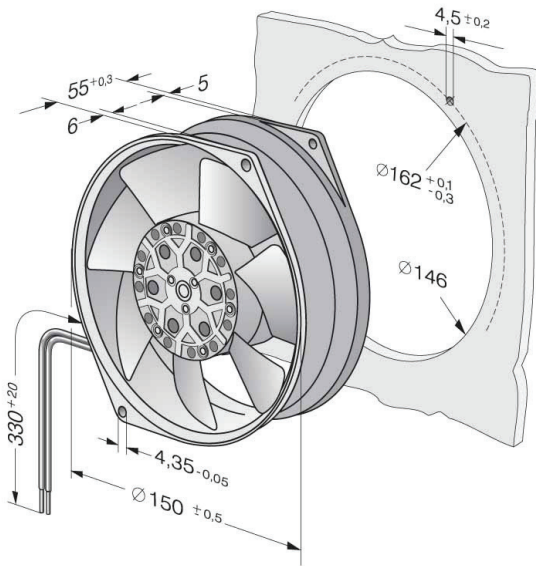
Pricing	Quantities			Accessories
	1	5-9	10>	
Product Code				Grill
W2S130AA0301	€ 74,30	€ 64,70	€ 55,00	LZ36 9920036000

All prices are in euro, excluding VAT ( BTW ) Orders are shipped according to incoterms : DAP, transport costs on the basis of calculation before shipment of weight and size.  
 an extra handling fee of € 30,00 to every order with a total value of less than € 250,00 and € 15,00 to every order with a total value of € 250,00 to € 500,00 (net, excl. VAT).

#### Pressure over air flow rated Voltage



Specific drawing



150 x 172 x 38



Material : Rotor coated Black  
Blades coated black steelplate

Direction of rotation : right CW seen on rotor

Number of blades: 7

Protection: IP20

Isolation: B

Mounting position: Free

Mode of operation: Continiuos S1

Bearings : Maintenance free Bearings

Motorprotection : Impedance protectet

Cable : Terminal on housing 2,8 x 0,5 mm

Norm : IEC 60038

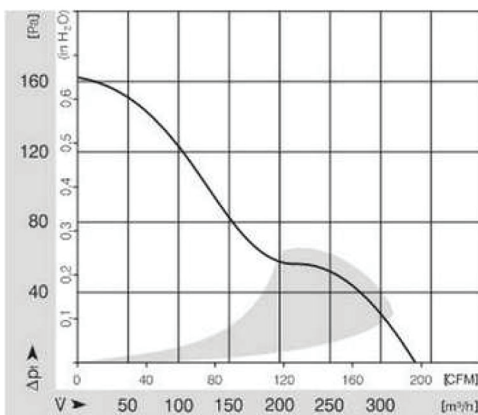
Nominal data	Voltage	Frequency	Air flow	Speed	Power consumption	Bearing	Sound pressure level	Service life 40 C	Service life at T max	Perm. amb. temp.	Weight
Type	VAC	Hz	m3/h	rpm	W		dB ( A )	Hrs	Hrs	C	kg
W2E142BB0101	230	50/60	320	2800	27	Ball	51	60000	32000	-25..55	0,9

Note : fans used at 60Hz have slightly more air performance

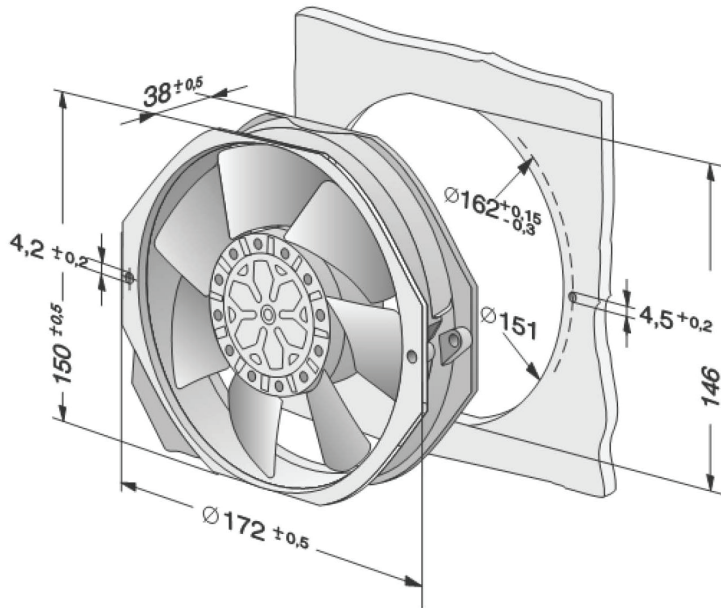
Pricing	Quantities			Accessories	
	1	5-9	10>	Grill	
Product Code	W2E142BB0101	€ 84,00	€ 73,10	€ 62,10	LZ 36 9920036000

All prices are in euro, excluding VAT ( BTW ) Orders are shipped according to incoterms : DAP, transport costs on the basis of calculation before shipment of weight and size.  
an extra handling fee of € 30,00 to every order with a total value of less than € 250,00 and € 15,00 to every order with a total value of € 250,00 to € 500,00 (net, excl. VAT).

### Pressure over air flow rated Voltage



Specific drawing





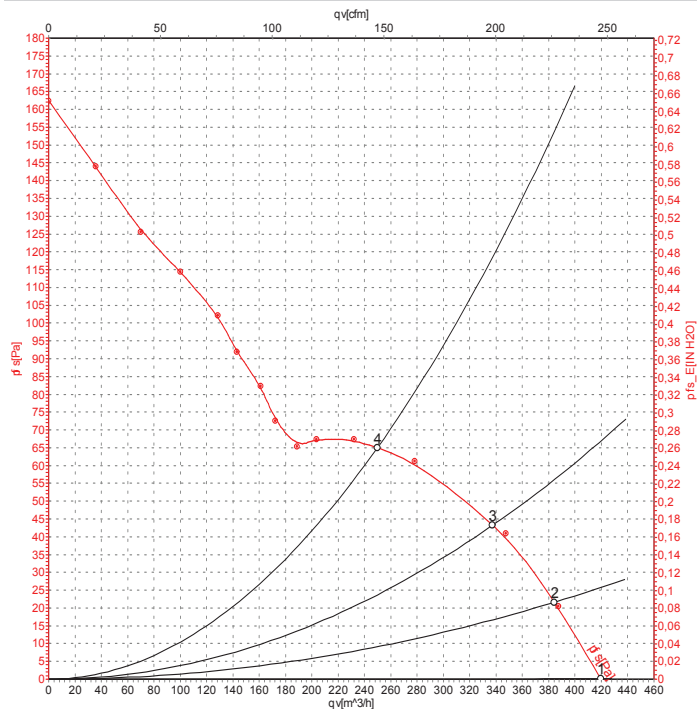
Material : Material of blades: Sheet steel, coated in black  
 Material of wall ring: Die-cast aluminium, coated in black  
 Direction of rotation Counter-clockwise, seen on rotor  
 Number of blades: 5  
 Protection: IP20  
 Isolation: B  
 Mounting position: Any  
 Mode of operation: Continuous S1  
 Bearings Ball bearing  
 Motorprotection Thermal overload protector (TOP) wired internally  
 Cable Terminal on housing 2,8 x 0,5 mm  
 Norm EN 60335-1

Nominal data		Voltage	Frequency	Air flow	Speed	Power consumption	Current draw	Capacitor capacity	Sound pressure level	Min. back pressure	Perm. amb. temp.	Weight
Type	Motor	VAC	Hz	m3/h	rpm	W	A	uF/V	dB (A)	Pa	C	kg
W2E143AB0901	M2E052-BF	230	50	420	2800	26		-	54	-	-25..60	1,0
Subject to modification												

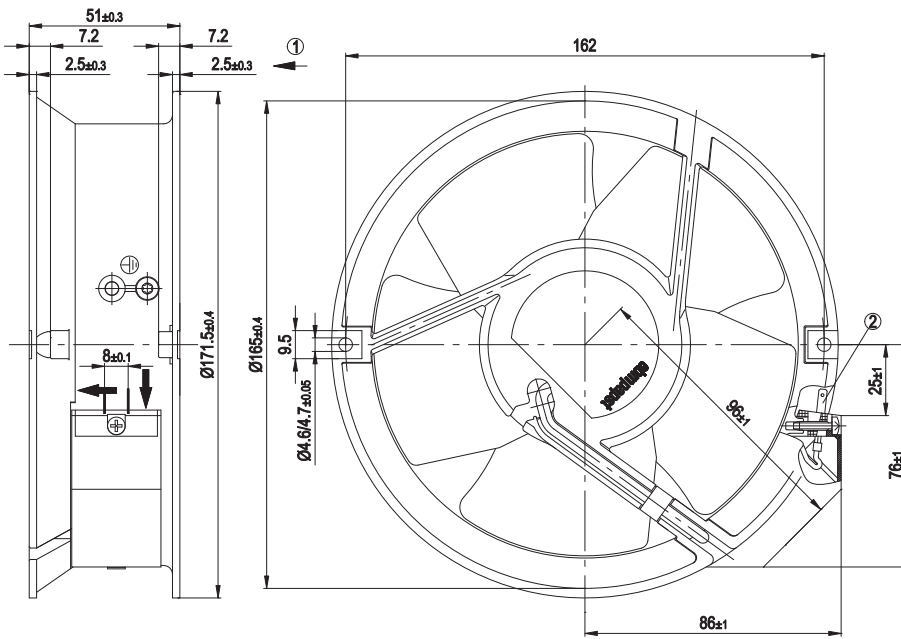
Pricing	Quantities			Accessories
	1	5-9	10>	
Product Code				Grill
W2E143AB0901	€ 89,30	€ 77,70	€ 66,00	

All prices are in euro, excluding VAT ( BTW ) Orders are shipped according to incoterms : DAP, transport costs on the basis of calculation before shipment of weight and size.  
 an extra handling fee of € 30,00 to every order with a total value of less than € 250,00 and € 15,00 to every order with a total value of € 250,00 to € 500,00 (net, excl. VAT).

### Pressure over air flow rated Voltage



Specific drawing



Connection illustration



Material : Rotor coated Black  
Blades coated black steelplate

Direction of rotation Left CCW seen on rotor

Number of blades: 7

Protection: IP44

Isolation: B

Condensate discharges Rotor side

Mounting position: Free, Rotor on top on request

Mode of operation: Continuios S1

Bearings Maintenance free Ball Bearings

Motorprotection Integrated temperatur switches

Cable No terminal mounting on housing

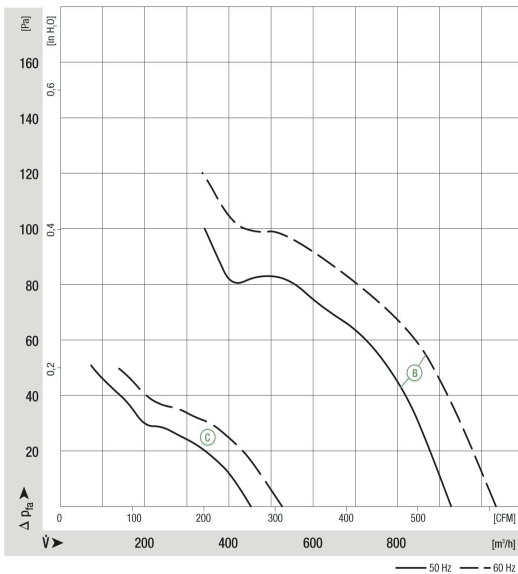
Norm EN 60335-1

Nominal data		Voltage	Frequency	Air flow	Speed	Power consumption	Current draw	Capacitor capacity	Sound pressure level	Min. back pressure	Perm. amb. temp.	Weight
Type	Motor	VAC	Hz	m3/h	rpm	W	A	uF/V	dB ( A )	Pa	C	kg
W2E200HK3801	M2E068BF	230	50	880	2500	80	0,29	1,5/450	59	-	-40..80	2,1
Subject to modification												

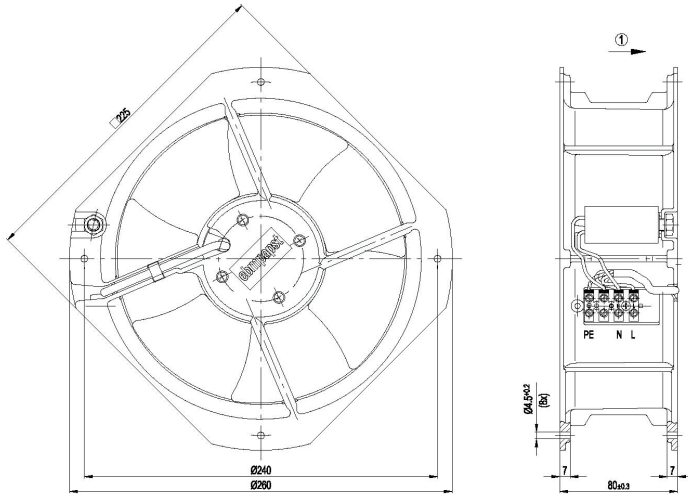
Pricing	Quantities			Accessories	Prices			
	1	5-9	10>	Grill	1-4	5-9	10>	Capacitor
W2E200HK3801	€ 121,20	€ 105,40	€ 89,60	78128-2-4039	10,70	9,20	8,30	Integrated

All prices are in euro, excluding VAT ( BTW ) Orders are shipped according to incoterms : DAP, transport costs on the basis of calculation before shipment of weight and size.  
an extra handling fee of € 30,00 to every order with a total value of less than € 250,00 and € 15,00 to every order with a total value of € 250,00 to € 500,00 (net, excl. VAT).

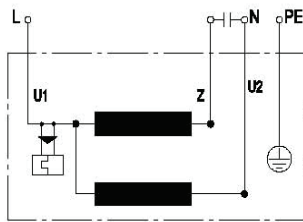
### Pressure over air flow at 50Hz



**Drawing**



**Connection illustration**



U1	blue	Z	brown	U2	black
PE	green/yellow				



Material : Rotor coated Black  
Blades coated black steelplate

Direction of rotation Left CCW seen on rotor

Number of blades: 7

Protection: IP44

Isolation: F

Condensate discharges Rotor side

Mounting position: Free, Rotor on top on request

Mode of operation: Continious S1

Bearings Maintenance free Ball Bearings

Motorprotection Integrated temperatur switches

Cable No terminal mounting on housing

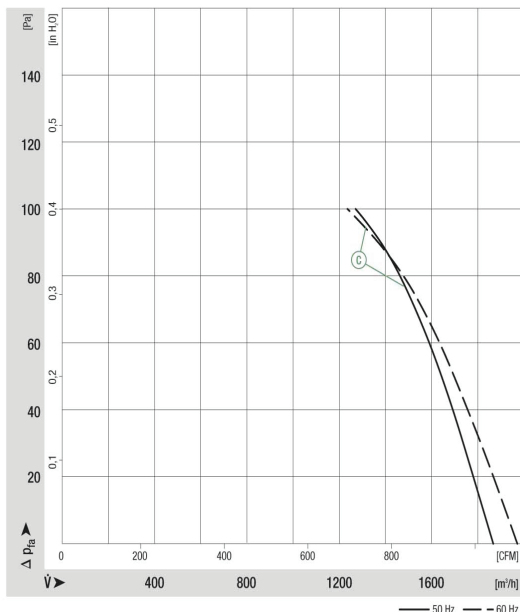
Norm EN 60335-1, ERP 2015

Nominal data		Voltage	Frequency	Air flow	Speed	Power consumption	Current draw	Capacitor capacity	Sound pressure level	Min. back pressure	Perm. amb. temp.	Weight
Type	Motor	VAC	Hz	m3/h	rpm	W	A	uF/V	dB ( A )	Pa	C	kg
W2E250HL0619	M2E068CF	230	50	1865	2550	127	0,56	4/400	69	-	-25..60	2,0
Subject to modification												

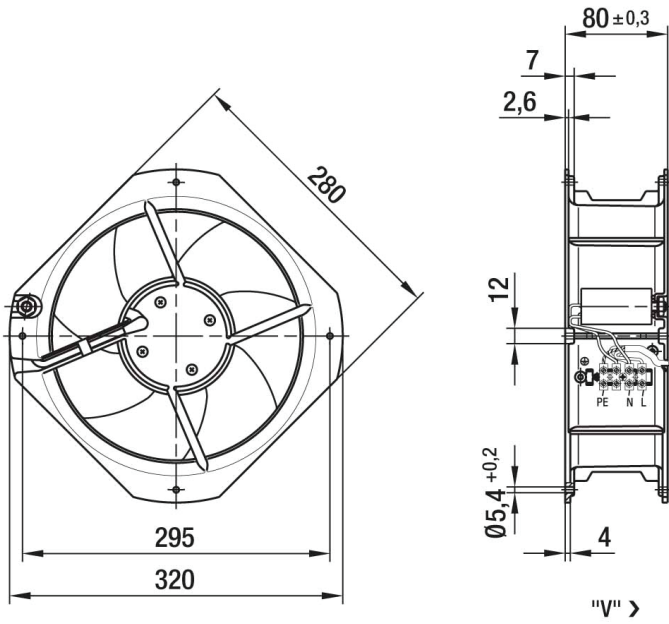
Pricing	Quantities			Accessories	Prices			Capacitor
	1	5-9	10>		Grill	1-4	5-9	
Product Code	1	5-9	10>	Grill	1-4	5-9	10>	Capacitor
W2E250HL0619	€ 153,70	€ 133,70	€ 113,60	09418-2-4039	16,80	14,60	13,10	Integrated

All prices are in euro, excluding VAT ( BTW ) Orders are shipped according to incoterms : DAP, transport costs on the basis of calculation before shipment of weight and size.  
an extra handling fee of € 30,00 to every order with a total value of less than € 250,00 and € 15,00 to every order with a total value of € 250,00 to € 500,00 (net, excl. VAT).

### Pressure over air flow at 50Hz



Drawing



40 x 40 x 10 mm



Material :	Glassfibre reinforced PA6
Direction of rotation	Right CW seen on rotor
Number of blades:	5
Protection:	IP20
Isolation:	B
Mounting position:	Free
Mode of operation:	Continuios S1
Bearings	Maintenance free Bearings
Motorprotection	Electronic protected
Cable	Cable 310 mm
Norm	IEC 60038

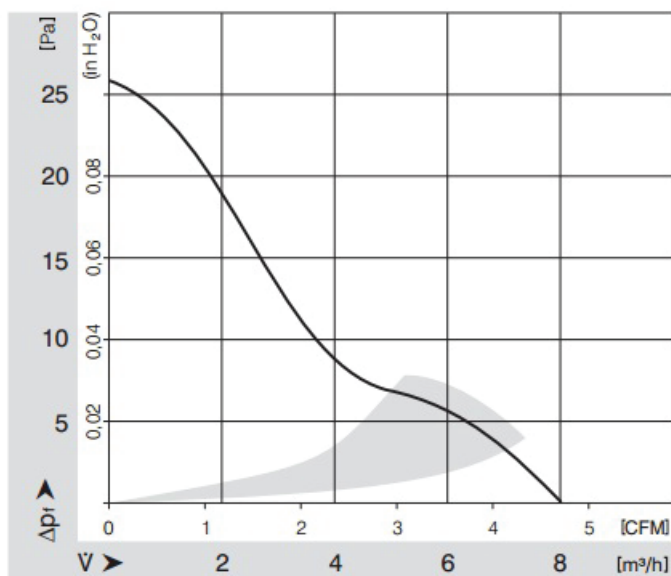
Nominal data	Voltage	Frequency	Air flow	Speed	Power consumption	Bearing	Sound pressure level	Service life 40 C	Service life at T max	Perm. amb. temp.	Weight
Type	VDC	Hz	m3/h	rpm	W		dB (A)	Hrs	Hrs	C	kg
414 F / 9291705005	24		8	5400	0,8	sleeve	22,1	45000	17500	-20.. 70	0.017

Note : fans used at 60Hz have slightly more air performance

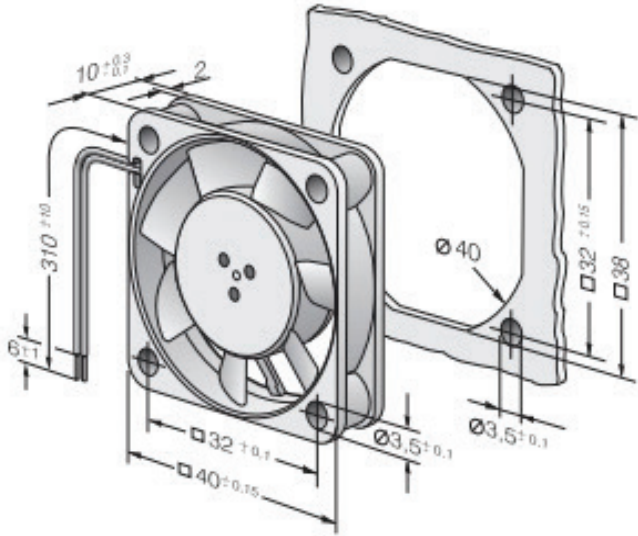
Pricing	Quantities			Accessories
	1	5-9	10>	
Product Code				Grill
414 F / 9291705005	€ 19,10	€ 16,62	€ 14,13	LZ29-1 9920029001

All prices are in euro, excluding VAT ( BTW ) Orders are shipped according to incoterms : DAP, transport costs on the basis of calculation before shipment of weight and size.  
 an extra handling fee of € 30,00 to every order with a total value of less than € 250,00 and € 15,00 to every order with a total value of € 250,00 to € 500,00 (net, excl. VAT).

### Pressure over air flow rated Voltage



Specific drawing



Connection illustration

40 x 40 x 20



Material : Glassfibre reinforced PA6  
 Direction of rotation : Right CW seen on rotor  
 Number of blades: 5  
 Protection: IP20  
 Isolation: B  
 Mounting position: Free  
 Mode of operation: Continuios S1  
 Bearings : Maintenance free Bearings  
 Motorprotection : Electronic protected  
 Cable : Cable 310 mm  
 Norm : IEC 60038

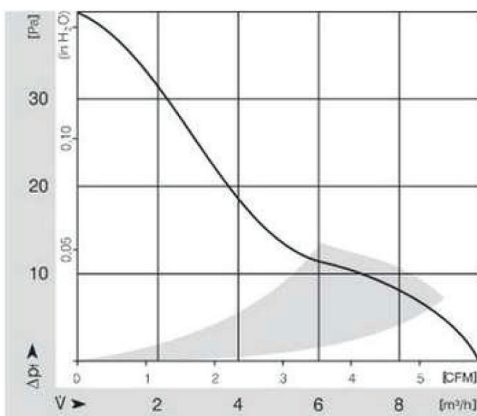
Nominal data	Voltage	Frequency	Air flow	Speed	Power consumption	Bearing	Sound pressure level	Service life 40 C	Service life at T max	Perm. amb. temp.	Weight
Type	VDC	Hz	m3/h	rpm	W		dB ( A )	Hrs	Hrs	C	kg
412 / 9291708001	12	-	10	6000	0,9	sleeve	18	50000	20000	-20..70	0,03

Note : fans used at 60Hz have slightly more air performance

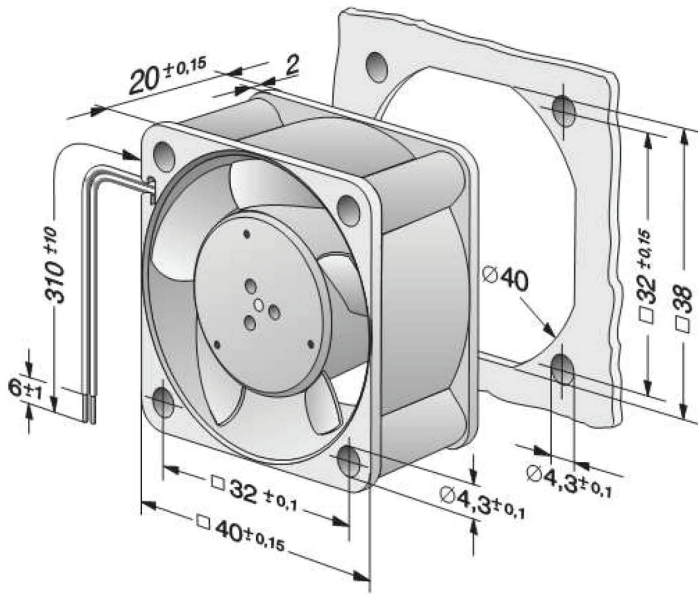
Pricing	Quantities			Accessories
	1	5-9	10>	
Product Code				Grill
412 / 9291708001	€ 20,90	€ 18,18	€ 15,47	LZ29-1 9920029001

All prices are in euro, excluding VAT ( BTW ) Orders are shipped according to incoterms : DAP, transport costs on the basis of calculation before shipment of weight and size.  
 an extra handling fee of € 30,00 to every order with a total value of less than € 250,00 and € 15,00 to every order with a total value of € 250,00 to € 500,00 (net, excl. VAT).

#### Pressure over air flow rated Voltage



Specific drawing



40 x 40 x 20



Material : Glassfibre reinforced PA6  
 Direction of rotation : Right CW seen on rotor  
 Number of blades: 5  
 Protection: IP20  
 Isolation: B  
 Mounting position: Free  
 Mode of operation: Continuios S1  
 Bearings : Maintenance free Bearings  
 Motorprotection : Electronic protected  
 Cable : Cable 310 mm  
 Norm : IEC 60038

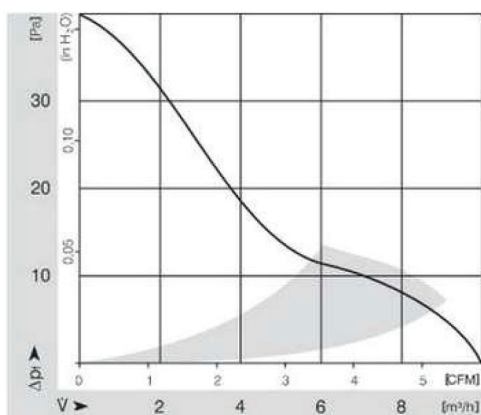
Nominal data	Voltage	Frequency	Air flow	Speed	Power consumption	Bearing	Sound pressure level	Service life 40 C	Service life at T max	Perm. amb. temp.	Weight
Type	VDC	Hz	m3/h	rpm	W		dB ( A )	Hrs	Hrs	C	kg
414 / 9291708002	24	-	10	6000	1,0	sleeve	18	50000	20000	-20..70	0,03

Note : fans used at 60Hz have slightly more air performance

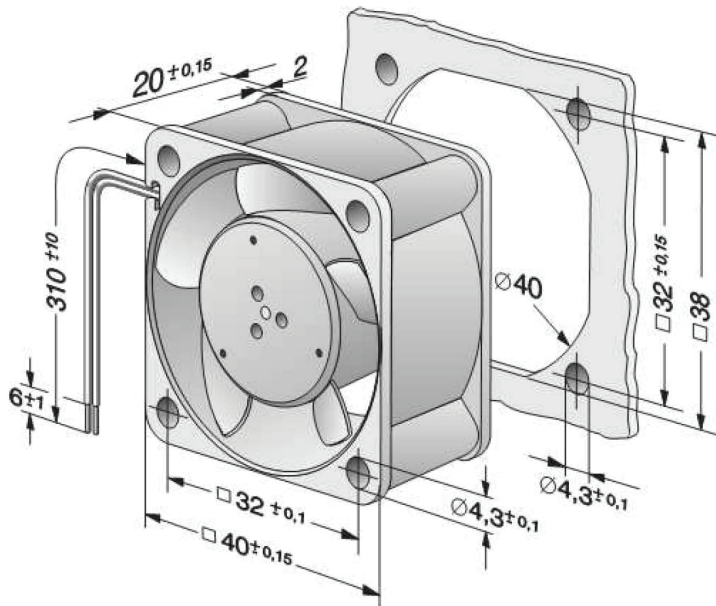
Pricing	Quantities			Accessories	
	1	5-9	10>		
Product Code	414 / 9291708002	€ 14,90	€ 13,00	€ 11,00	Grill LZ31 9920031000

All prices are in euro, excluding VAT ( BTW ) Orders are shipped according to incoterms : DAP, transport costs on the basis of calculation before shipment of weight and size.  
 an extra handling fee of € 30,00 to every order with a total value of less than € 250,00 and € 15,00 to every order with a total value of € 250,00 to € 500,00 (net, excl. VAT).

### Pressure over air flow rated Voltage



Specific drawing



60 x 60 x 15



Material :	Glassfibre reinforced PA6
Direction of rotation	Right CCW seen on rotor
Number of blades:	7
Protection:	IP20
Isolation:	B
Mounting position:	Free
Mode of operation:	Continuos S1
Bearings	Maintenance free Bearings
Motorprotection	Electronic protected
Cable	Cable 310 mm
Norm	IEC 60038

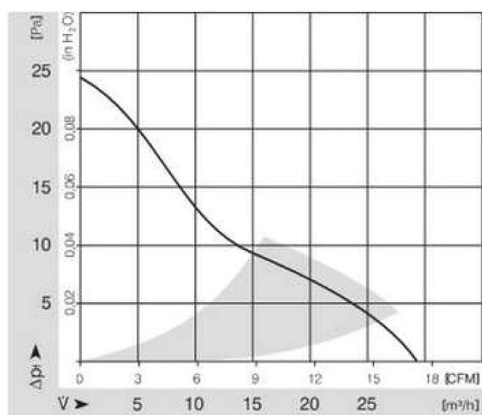
Nominal data	Voltage	Frequency	Air flow	Speed	Power consumption	Bearing	Sound pressure level	Service life 40 C	Service life at T max	Perm. amb. temp.	Weight
Type	VDC	Hz	m3/h	rpm	W		dB ( A )	Hrs	Hrs	C	kg
614F / 9291708612	24	-	29	3900	1,1	sleeve	27	50000	20000	-20..70	0,03

Note : fans used at 60Hz have slightly more air performance

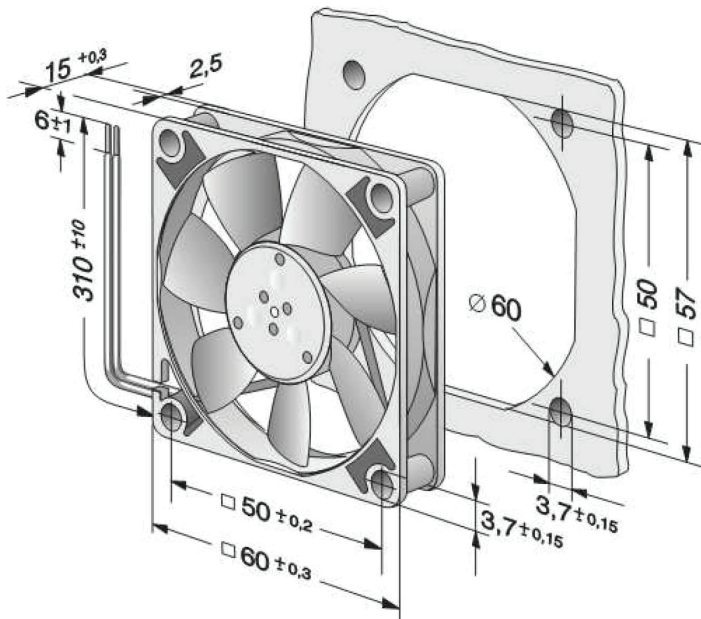
Pricing	Quantities			Accessories
	1	5-9	10>	
Product Code				Grill
614F / 9291708612	€ 22,00	€ 19,14	€ 16,28	LZ28-1 9920028001

All prices are in euro, excluding VAT ( BTW ) Orders are shipped according to incoterms : DAP, transport costs on the basis of calculation before shipment of weight and size.  
 an extra handling fee of € 30,00 to every order with a total value of less than € 250,00 and € 15,00 to every order with a total value of € 250,00 to € 500,00 (net, excl. VAT).

### Pressure over air flow rated Voltage



Specific drawing



Connection illustration

60 x 60 x 25



Material : Glassfibre reinforced PA6  
 Direction of rotation : Right CW seen on rotor  
 Number of blades: 5  
 Protection: IP20  
 Isolation: B  
 Mounting position: Free  
 Mode of operation: Continuios S1  
 Bearings : Maintenance free Bearings  
 Motorprotection : Electronic protected  
 Cable : Cable 310 mm  
 Norm : IEC 60038

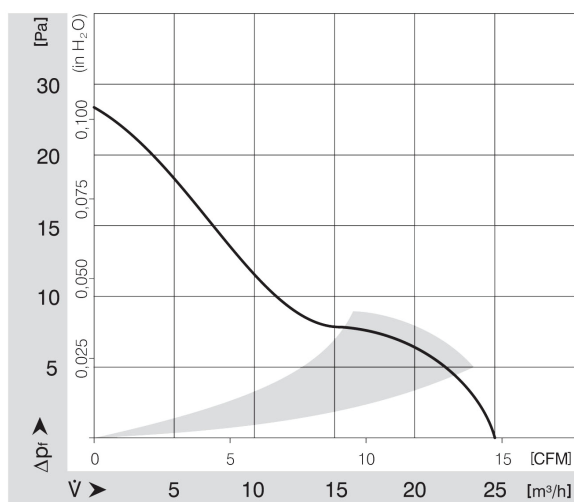
Nominal data	Voltage	Frequency	Air flow	Speed	Power consumption	Bearing	Sound pressure level	Service life 40 C	Service life at T max	Perm. amb. temp.	Weight
Type	VDC	Hz	m3/h	rpm	W		dB ( A )	Hrs	Hrs	C	kg
612NGMLE / 9292206172	12	-	25	3000	0,7	sleeve	19	80000	32500	-20..80	0,07

Note : fans used at 60Hz have slightly more air performance

Pricing	Quantities			Accessories
	1	5-9	10>	
Product Code				Grill
612NGMLE / 9292206172	€ 20,00	€ 17,40	€ 14,80	LZ28-1 9920028001

All prices are in euro, excluding VAT ( BTW ) Orders are shipped according to incoterms : DAP, transport costs on the basis of calculation before shipment of weight and size.  
 an extra handling fee of € 30,00 to every order with a total value of less than € 250,00 and € 15,00 to every order with a total value of € 250,00 to € 500,00 (net, excl. VAT).

### Pressure over air flow rated Voltage





60 x 60 x 25



Material :  
 Direction of rotation :  
 Number of blades :  
 Protection :  
 Isolation :  
 Mounting position :  
 Mode of operation :  
 Bearings :  
 Motorprotection :  
 Cable :  
 Norm :

Housing : Glassfibre reinforced PA6  
 Blades : Glassfibre reinforced PA6  
 Right CW seen on rotor  
 5  
 IP20  
 B  
 Free  
 Continuiuos S1  
 Maintenance free Bearings  
 Electronic protectet  
 Cable 310 mm  
 IEC 60038

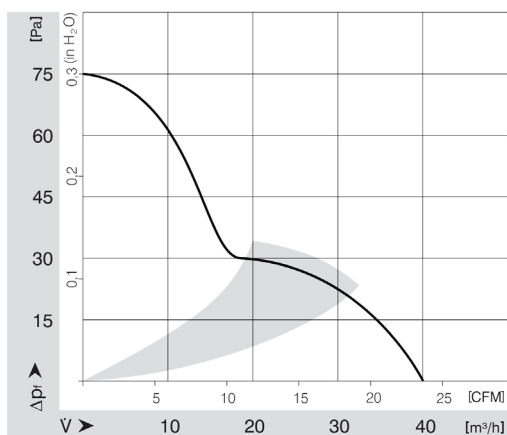
Nominal data	Voltage	Frequency	Air flow	Speed	Power consumption	Bearing	Sound pressure level	Service life 40 C	Service life at T max	Perm. amb. temp.	Weight
Type	VDC	Hz	m3/h	rpm	W		dB ( A )	Hrs	Hrs	C	kg
624N / 9292207008	24	-	40	6100	2,2	Ball	35	72500	35000	-20..70	0,09

Note : fans used at 60Hz have slightly more air performance

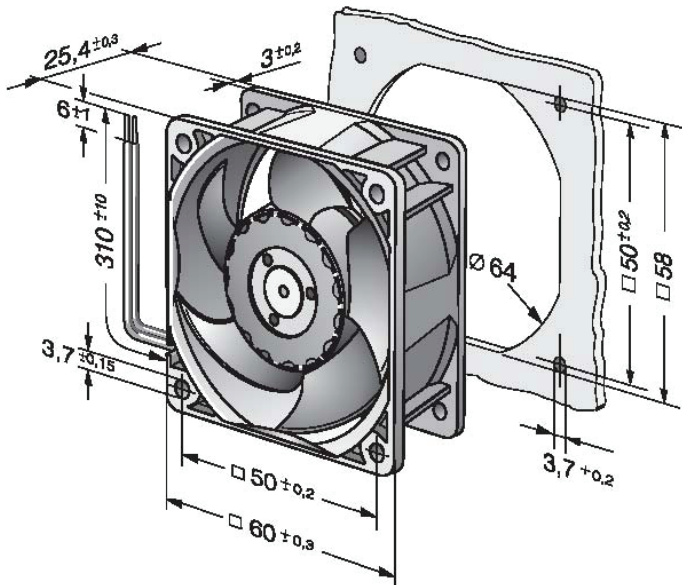
Pricing	Quantities			Accessories
	1	5-9	10>	
Product Code				Grill
624N / 9292207008	€ 27,00	€ 23,49	€ 19,98	LZ28-1 9920028001

All prices are in euro, excluding VAT ( BTW ) Orders are shipped according to incoterms : DAP, transport costs on the basis of calculation before shipment of weight and size.  
 an extra handling fee of € 30,00 to every order with a total value of less than € 250,00 and € 15,00 to every order with a total value of € 250,00 to € 500,00 (net, excl. VAT).

### Pressure over air flow rated Voltage



Specific drawing



Connection illustration

60 x 60 x 25



Material : Glassfibre reinforced PA6  
 Direction of rotation : Right CW seen on rotor  
 Number of blades: 5  
 Protection: IP20  
 Isolation: B  
 Mounting position: Free  
 Mode of operation: Continuos S1  
 Bearings : Maintenance free Bearings  
 Motorprotection : Electronic protected  
 Cable : Cable 310 mm  
 Norm : IEC 60038

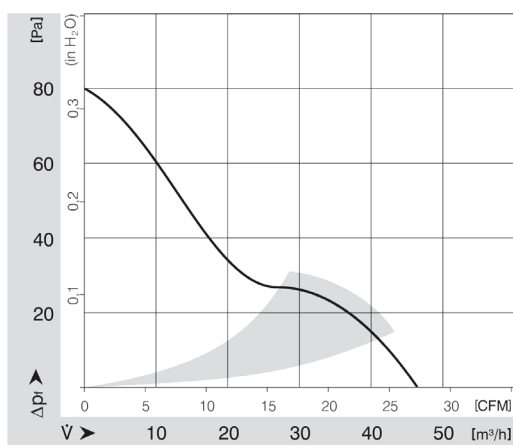
Nominal data	Voltage	Frequency	Air flow	Speed	Power consumption	Bearing	Sound pressure level	Service life 40 C	Service life at T max	Perm. amb. temp.	Weight
Type	VDC	Hz	m3/h	rpm	W		dB (A)	Hrs	Hrs	C	kg
614NH / 9272206072	24	-	46	5600	2,1	ball	37	70000	35000	-20..70	0,07

Note : fans used at 60Hz have slightly more air performance

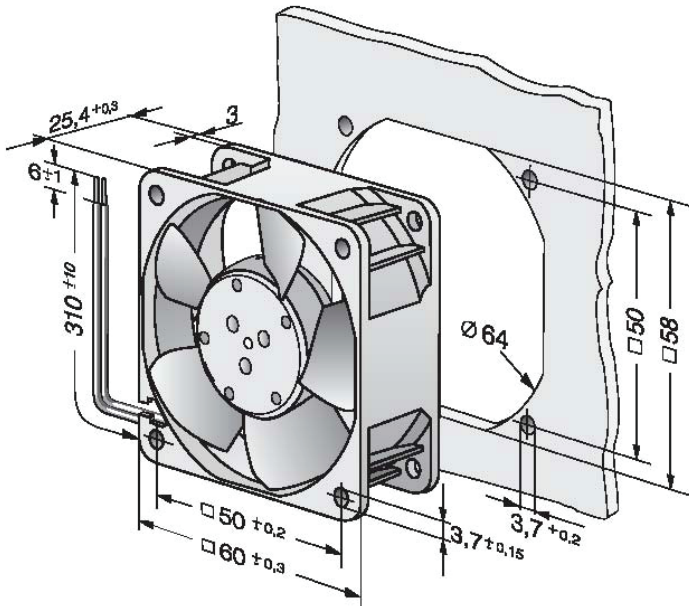
Pricing	Quantities			Accessories
	1	5-9	10>	
Product Code				Grill
614NH / 9272206072	€ 23,00	€ 20,10	€ 17,10	LZ28-1 9920028001

All prices are in euro, excluding VAT ( BTW ) Orders are shipped according to incoterms : DAP, transport costs on the basis of calculation before shipment of weight and size.  
 an extra handling fee of € 30,00 to every order with a total value of less than € 250,00 and € 15,00 to every order with a total value of € 250,00 to € 500,00 (net, excl. VAT).

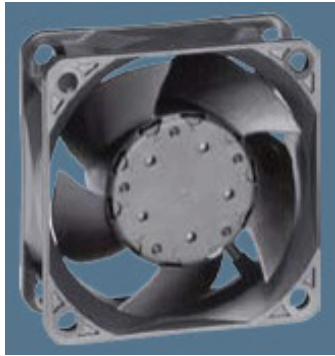
### Pressure over air flow rated Voltage



Specific drawing



Connection illustration



Material : Housing : Glassfibre reinforced PA6  
 Direction of rotation : Right CW seen on rotor  
 Number of blades: 5  
 Protection: IP68  
 Isolation: B  
 Mounting position: Free  
 Mode of operation: Continuiuos S1  
 Bearings : Maintenance free Bearings  
 Motorprotection : Electronic protectet  
 Cable : Cable 310 mm  
 Norm : IEC 60038

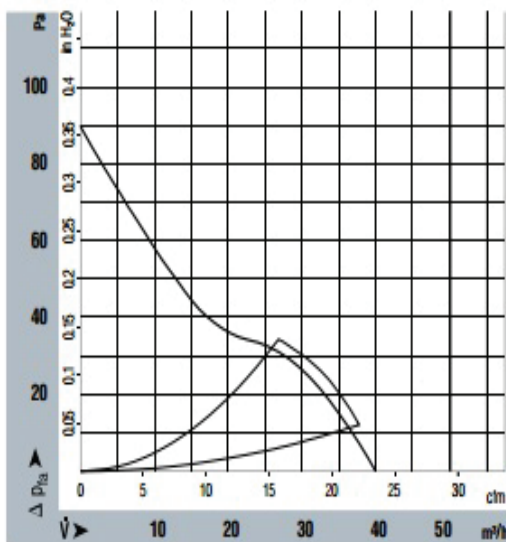
Nominal data	Voltage	Frequency	Air flow	Speed	Power consumption	Bearing	Sound pressure level	Service life 40 C	Service life at T max	Perm. amb. temp.	Weight
Type	VDC	Hz	m3/h	rpm	W		dB ( A )	Hrs	Hrs	C	kg
634 NU / 9292308004	24		40	5900	1.6	Ball	34	85000	42500	-20...70	-

Note : fans used at 60Hz have slightly more air performance

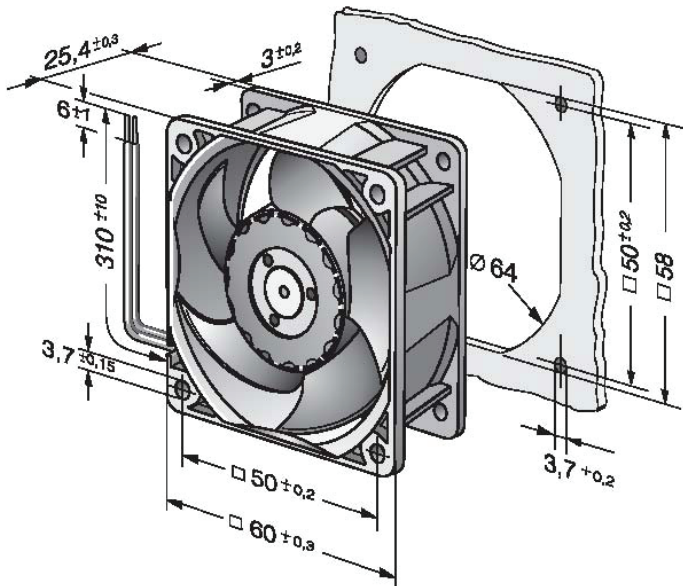
Pricing	Quantities			Accessories
	1	5-9	10>	
Product Code				Grill
634 NU / 9292308004	€ 37,80	€ 32,90	€ 28,00	

All prices are in euro, excluding VAT ( BTW ) Orders are shipped according to incoterms : DAP, transport costs on the basis of calculation before shipment of weight and size.  
 an extra handling fee of € 30,00 to every order with a total value of less than € 250,00 and € 15,00 to every order with a total value of € 250,00 to € 500,00 (net, excl. VAT).

### Pressure over air flow rated Voltage



Specific drawing



Connection illustration

80 x 80 x 25



Material : Glassfibre reinforced PA6  
 Direction of rotation : Right CCW seen on rotor  
 Number of blades: 7  
 Protection: IP20  
 Isolation: B  
 Mounting position: Free  
 Mode of operation: Continuios S1  
 Bearings : Maintenance free Bearings  
 Motorprotection : Electronic protected  
 Cable : Cable 310 mm  
 Norm : IEC 60038

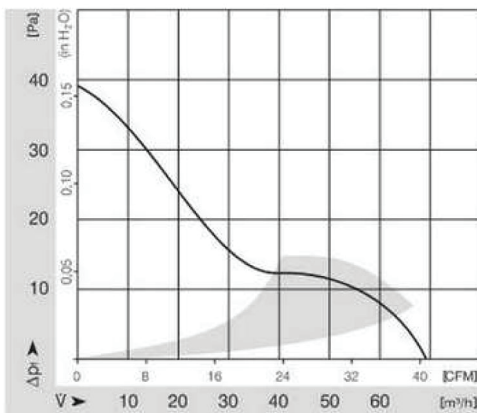
Nominal data	Voltage	Frequency	Air flow	Speed	Power consumption	Bearing	Sound pressure level	Service life 40 C	Service life at T max	Perm. amb. temp.	Weight
Type	VDC	Hz	m3/h	rpm	W		dB ( A )	Hrs	Hrs	C	kg
8412N / 9292506125	12	-	69	3100	2,0	Ball	32	70000	35000	-20..70	0,1

Note : fans used at 60Hz have slightly more air performance

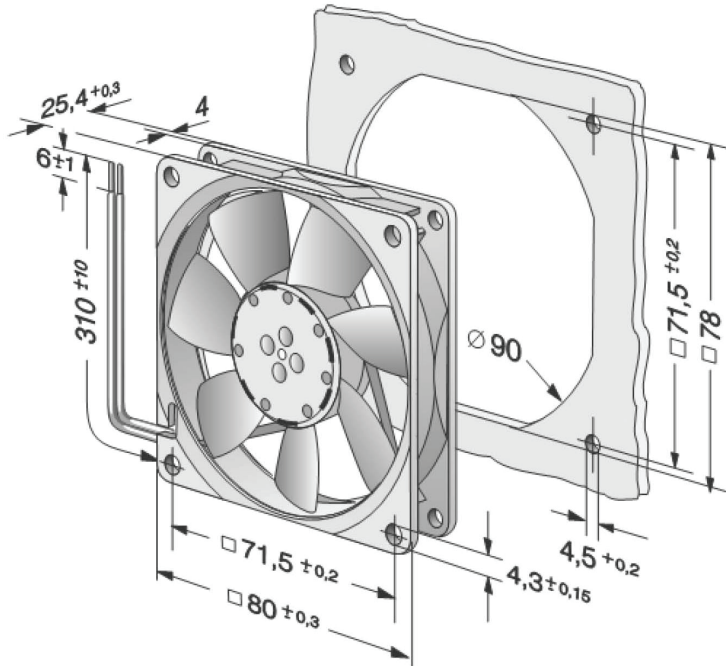
Pricing	Quantities			Accessories
	1	5-9	10>	
Product Code				Grill
8412N / 9292506125	€ 21,10	€ 18,40	€ 15,60	LZ32-4 9920032004

All prices are in euro, excluding VAT ( BTW ) Orders are shipped according to incoterms : DAP, transport costs on the basis of calculation before shipment of weight and size.  
 an extra handling fee of € 30,00 to every order with a total value of less than € 250,00 and € 15,00 to every order with a total value of € 250,00 to € 500,00 (net, excl. VAT).

### Pressure over air flow rated Voltage



Specific drawing



Connection illustration

80 x 80 x 25



Material : Glassfibre reinforced PA6  
 Direction of rotation : right CCW seen on rotor  
 Number of blades: 7  
 Protection: IP20  
 Isolation: B  
 Mounting position: Free  
 Mode of operation: continuous S1  
 Bearings : Maintenance free Bearings  
 Motorprotection : Electronic protected  
 Cable : Cable 310 mm  
 Norm : IEC 60038

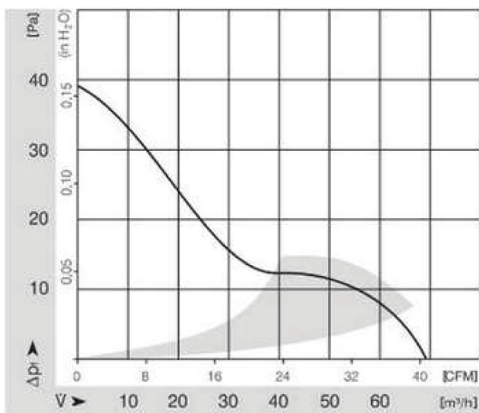
Nominal data	Voltage	Frequency	Air flow	Speed	Power consumption	Bearing	Sound pressure level	Service life 40 C	Service life at T max	Perm. amb. temp.	Weight
Type	VDC	Hz	m3/h	rpm	W		dB ( A )	Hrs	Hrs	C	kg
8414N / 9292506126	24	-	69	3100	2,0	ball	32	70000	35000	-20..70	0,1

Note : fans used at 60Hz have slightly more air performance

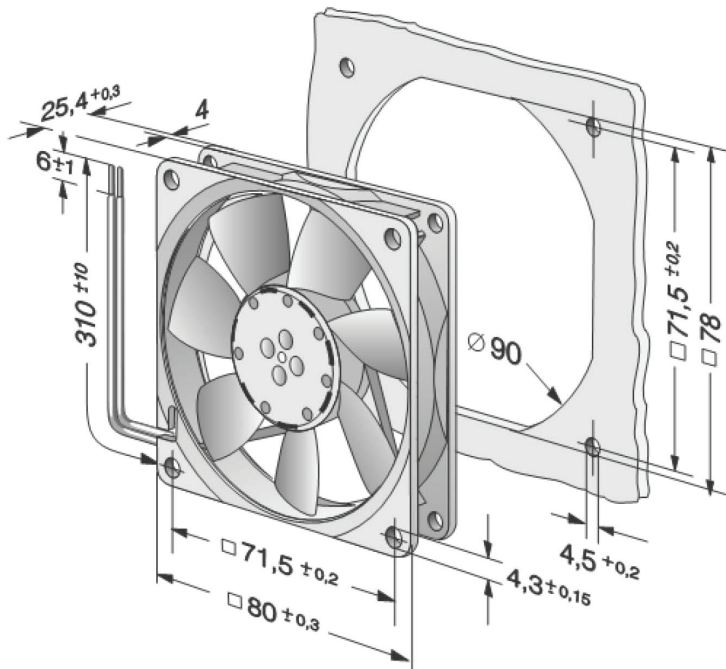
Pricing	Quantities			Accessories
	1	5-9	10>	
Product Code				Grill
8414N / 9292506126	€ 22,40	€ 19,49	€ 16,58	LZ 32-4 9920032004

All prices are in euro, excluding VAT ( BTW ) Orders are shipped according to incoterms : DAP, transport costs on the basis of calculation before shipment of weight and size.  
 an extra handling fee of € 30,00 to every order with a total value of less than € 250,00 and € 15,00 to every order with a total value of € 250,00 to € 500,00 (net, excl. VAT).

### Pressure over air flow rated Voltage



Specific drawing



Connection illustration



Material : Glassfibre reinforced PA6  
 Direction of rotation : right CCW seen on rotor  
 Number of blades: 7  
 Protection: IP68  
 Isolation: B  
 Mounting position: Free  
 Mode of operation: continuous S1  
 Bearings: Maintenance free Bearings  
 Motorprotection: Electronic protected  
 Cable: Cable 310 mm  
 Norm: IEC 60038

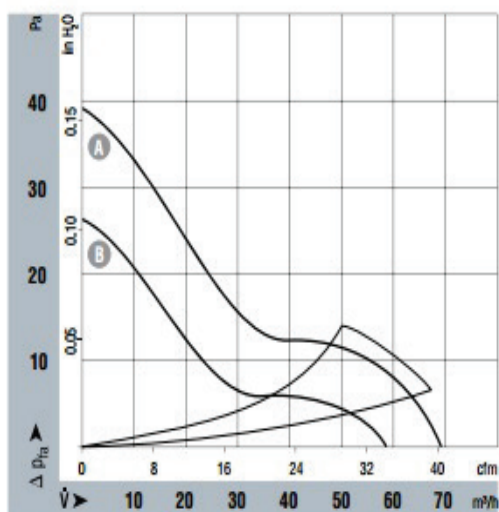
Nominal data	Voltage	Frequency	Air flow	Speed	Power consumption	Bearing	Sound pressure level	Service life 40 C	Service life at T max	Perm. amb. temp.	Weight
Type	VDC	Hz	m3/h	rpm	W		dB (	Hrs	Hrs	C	kg
8414NMU / 9292506475	24		58	2600	1.4	Ball	27	80000	40000	-20...70	0.55

Note : fans used at 60Hz have slightly more air performance

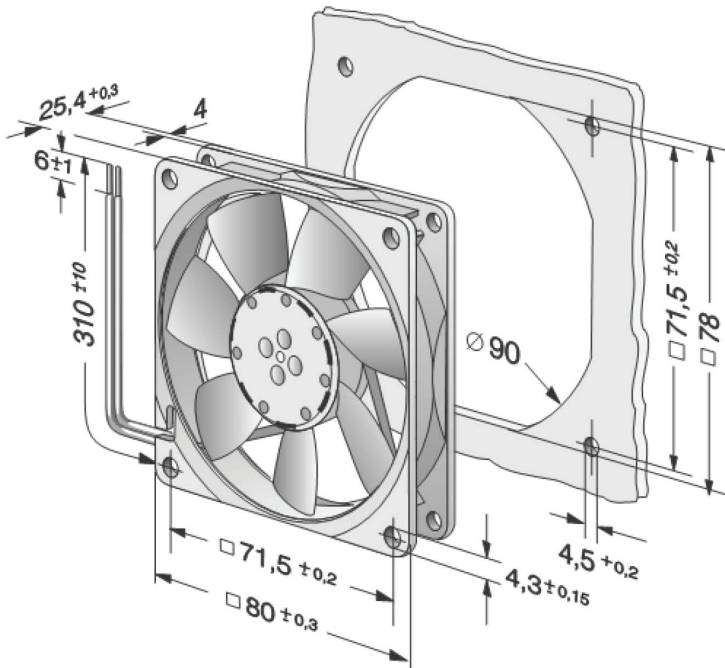
Pricing	Quantities			Accessories
	1	5-9	10>	
Product Code				Grill
8414NMU / 9292506475	€ 39,40	€ 34,28	€ 29,16	LZ 32-4 9920032004

All prices are in euro, excluding VAT ( BTW ) Orders are shipped according to incoterms : DAP, transport costs on the basis of calculation before shipment of weight and size.  
 an extra handling fee of € 30,00 to every order with a total value of less than € 250,00 and € 15,00 to every order with a total value of € 250,00 to € 500,00 (net, excl. VAT).

### Pressure over air flow rated Voltage



Specific drawing



Connection illustration

80 x 80 x 32 mm



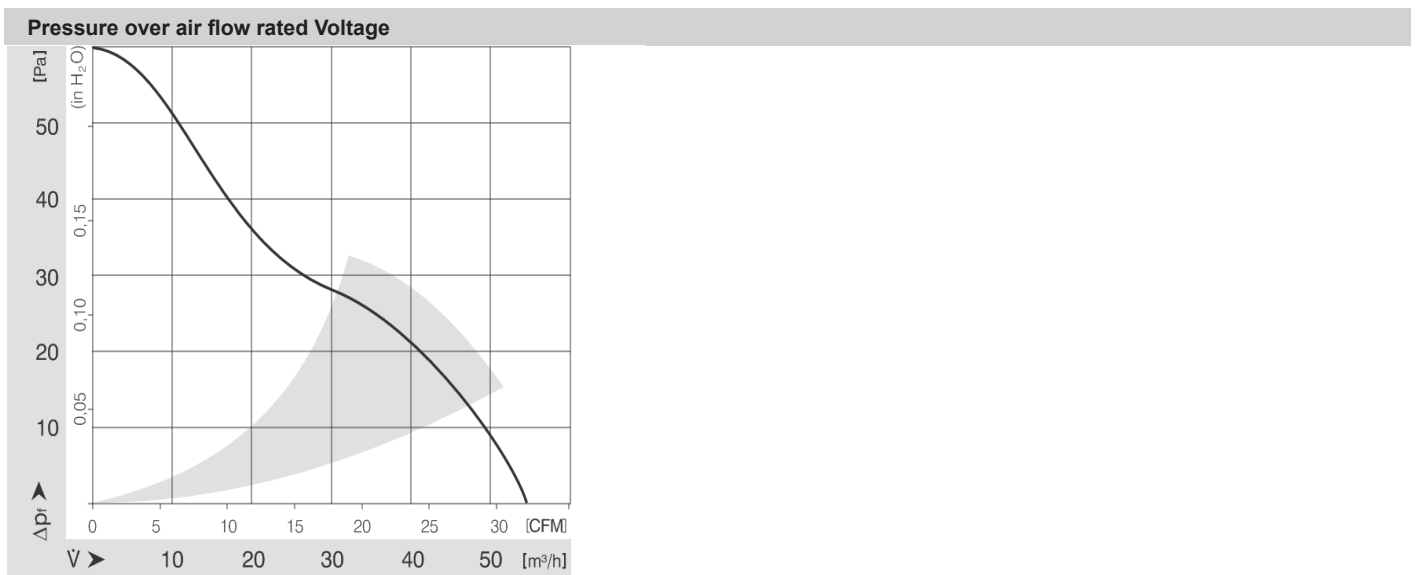
Material :	Glassfibre reinforced PA6
Direction of rotation	CW seen on rotor
Number of blades:	7
Protection:	IP20
Isolation:	B
Mounting position:	Free
Mode of operation:	continuos S1
Bearings	Maintance free Bearings
Motorprotection	Electronic protected
Cable	Cable 310 mm
Norm	IEC 60038

Nominal data	Voltage	Frequency	Air flow	Speed	Power consumption	Bearing	Sound pressure level	Service life 40 C	Service life at T max	Perm. amb. temp.	Weight
Type	VDC	Hz	m3/h	rpm	W		dB ( A )	Hrs	Hrs	C	kg
8314 / 9294303004	24		54	3300	2,7	ball	36	70000	275000	-20.. 75	0.170

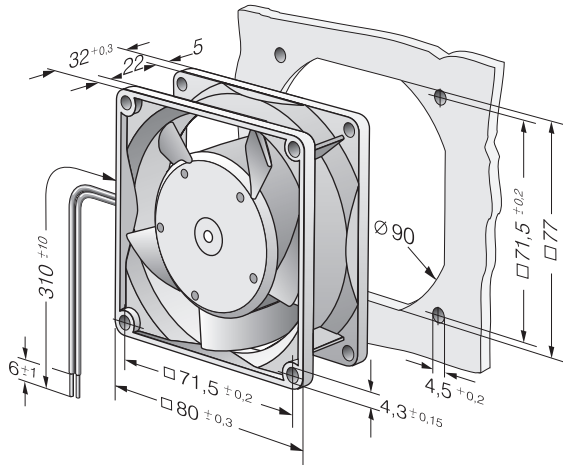
Note : fans used at 60Hz have slightly more air performance

Pricing	Quantities			Accessories
	1	5-9	10>	
Product Code				Grill
8314 / 9294303004	€ 33,70	€ 29,32	€ 24,94	

All prices are in euro, excluding VAT ( BTW ) Orders are shipped according to incoterms : DAP, transport costs on the basis of calculation before shipment of weight and size.  
 an extra handling fee of € 30,00 to every order with a total value of less than € 250,00 and € 15,00 to every order with a total value of € 250,00 to € 500,00 (net, excl. VAT).



Specific drawing



Connection illustration

92 x 92 x 25



Material : Glassfibre reinforced PA6  
 Direction of rotation : Right CCW seen on rotor  
 Number of blades: 7  
 Protection: IP20  
 Isolation: B  
 Mounting position: Free  
 Mode of operation: Continuios S1  
 Bearings : Maintenance free Bearings  
 Motorprotection : Electronic protectet  
 Cable : Cable 310 mm  
 Norm : IEC 60038

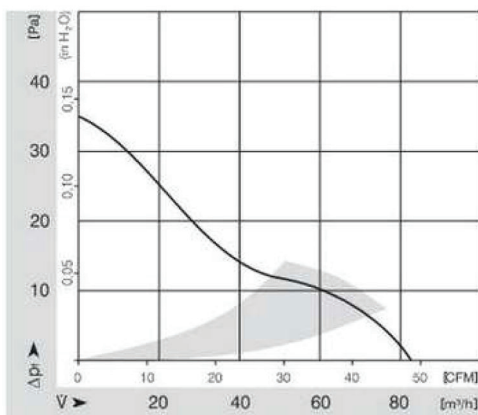
Nominal data	Voltage	Frequency	Air flow	Speed	Power consumption	Bearing	Sound pressure level	Service life 40 C	Service life at T max	Perm. amb. temp.	Weight
Type	VDC	Hz	m3/h	rpm	W		dB ( A )	Hrs	Hrs	C	kg
3412N / 9292506324	12	-	84	2700	2,2	Ball	32	70000	35000	-20..70	0,1

Note : fans used at 60Hz have slightly more air performance

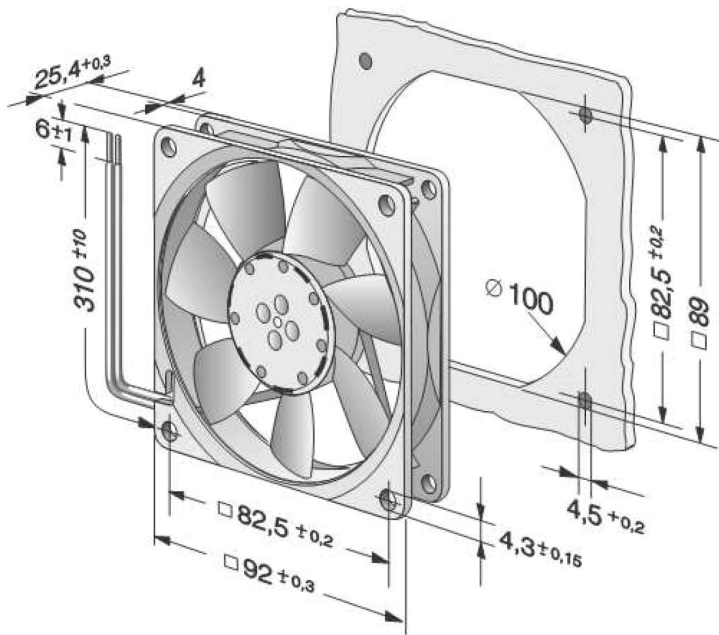
Pricing	Quantities			Accessories	
	1	5-9	10>		
Product Code	3412N / 9292506324	€ 28,50	€ 24,80	€ 21,09	Grill LZ23-1 9920023001

All prices are in euro, excluding VAT ( BTW ) Orders are shipped according to incoterms : DAP, transport costs on the basis of calculation before shipment of weight and size.  
 an extra handling fee of € 30,00 to every order with a total value of less than € 250,00 and € 15,00 to every order with a total value of € 250,00 to € 500,00 (net, excl. VAT).

### Pressure over air flow rated Voltage



Specific drawing



Connection illustration



Material : Glassfibre reinforced PA6  
 Direction of rotation : Right CCW seen on rotor  
 Number of blades: 7  
 Protection: IP20  
 Isolation: B  
 Mounting position: Free  
 Mode of operation: Continuios S1  
 Bearings : Maintenance free Bearings  
 Motorprotection : Electronic protectet  
 Cable : Cable 310 mm  
 Norm : IEC 60038

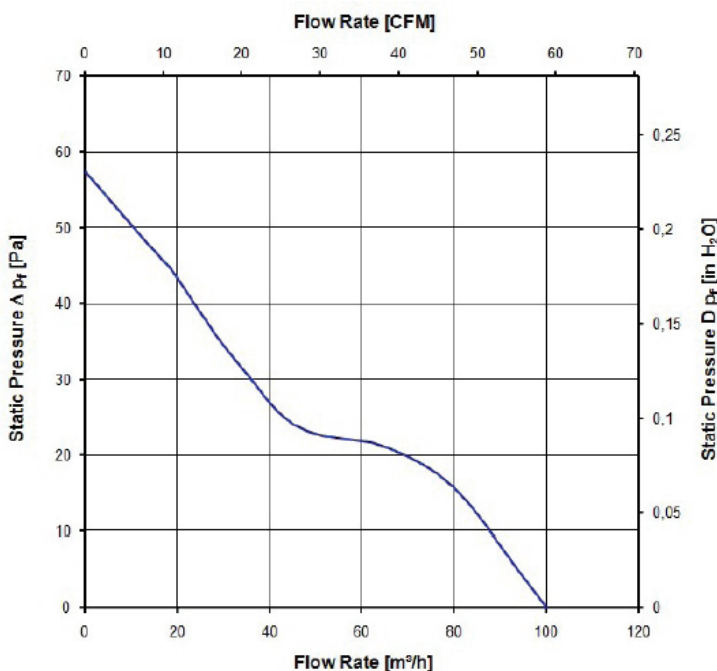
Nominal data	Voltage	Frequency	Air flow	Speed	Power consumption	Bearing	Sound pressure level	Service life 40 C	Service life at T max	Perm. amb. temp.	Weight
Type	VDC	Hz	m3/h	rpm	W		dB ( A )	Hrs	Hrs	C	kg
3414 NHH / 9292506320	24	-	102	3250	3,1	Ball	39	70000	35000	-20..70	0,106

Note : fans used at 60Hz have slightly more air performance

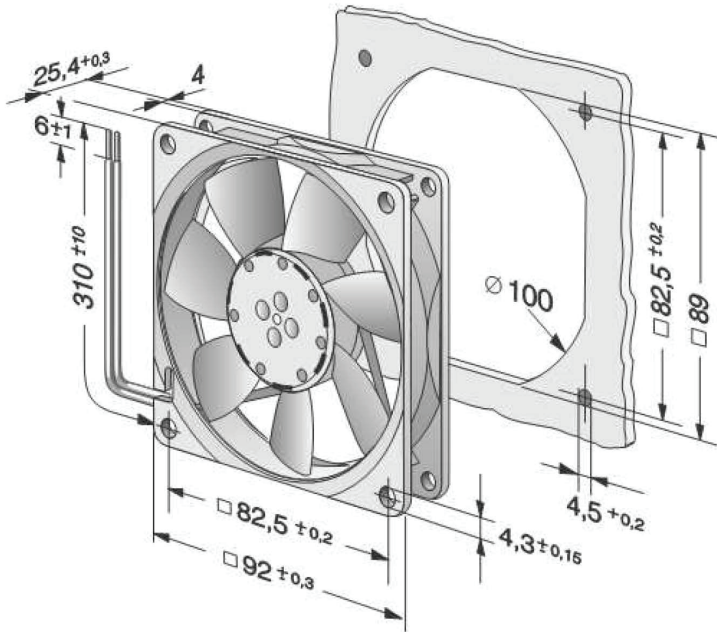
Pricing	Quantities			Accessories
	1	5-9	10>	
Product Code				Grill
3414 NHH / 9292506320	€ 28,70	€ 24,97	€ 21,24	LZ23-1 9920023001

All prices are in euro, excluding VAT ( BTW ) Orders are shipped according to incoterms : DAP, transport costs on the basis of calculation before shipment of weight and size.  
 an extra handling fee of € 30,00 to every order with a total value of less than € 250,00 and € 15,00 to every order with a total value of € 250,00 to € 500,00 (net, excl. VAT).

### Pressure over air flow rated Voltage



Specific drawing



92 x 92 x 32



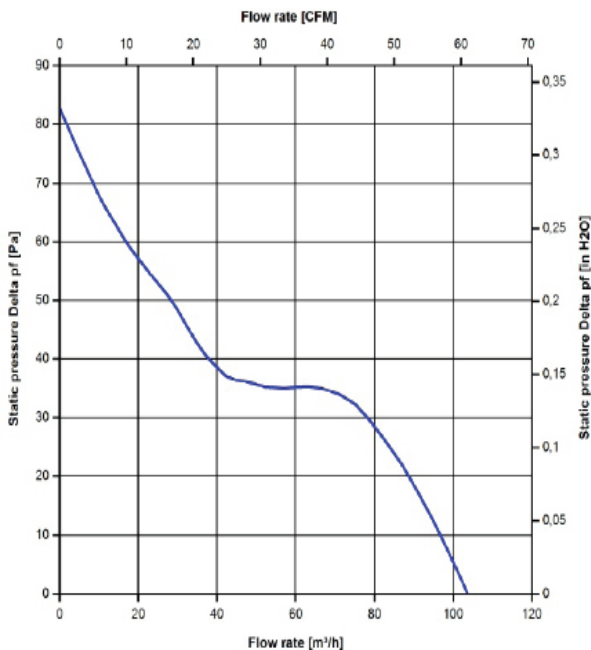
Material :	Glassfibre reinforced PA6
Direction of rotation	Right CW seen on rotor
Number of blades:	5
Protection:	IP68
Isolation:	B
Mounting position:	Free
Mode of operation:	Continuos S1
Bearings	Maintenance free Bearings
Motorprotection	Electronic protectet
Cable	Cable 310 mm
Norm	IEC 60038

Nominal data		Voltage	Frequency	Air flow	Speed	Power consumption	Bearings	Capacitor capacity	Sound pressure level	Min. back pressure	Perm. amb. temp.	Weight
Type	Motor	VDC	Hz	m3/h	rpm	W	A	uF/V	dB (A)	Pa	C	kg
3314 NHHU / 9293510112		24		107	3450	3,5	Ball	-	42		-20...75	0.22
Subject to modification												

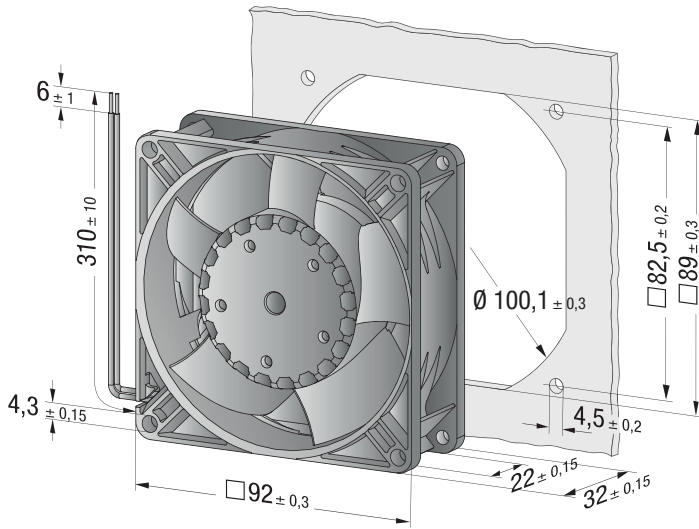
Pricing	Quantities			Accessories
	1	5-9	10>	Grill
3314 NHHU / 9293510112	€ 40,16	€ 34,94	€ 29,72	LZ23-1 9920023001

All prices are in euro, excluding VAT ( BTW ) Orders are shipped according to incoterms : DAP, transport costs on the basis of calculation before shipment of weight and size.  
 an extra handling fee of € 30,00 to every order with a total value of less than € 250,00 and € 15,00 to every order with a total value of € 250,00 to € 500,00 (net, excl. VAT).

### Pressure over air flow rated Voltage



Specific drawing



Connection illustration

119 x 119 x 25



Material :  
 Direction of rotation :  
 Number of blades :  
 Protection :  
 Isolation :  
 Mounting position :  
 Mode of operation :  
 Bearings :  
 Motorprotection :  
 Cable :  
 Norm :

Housing : Glassfibre reinforced PA6  
 Blades : Glassfibre reinforced PA6  
 Right CCW seen on rotor  
 7  
 IP20  
 B  
 Free  
 Continuiuos S1  
 Maintenance free Bearings  
 Electronic protectet  
 Cable 310 mm  
 IEC 60038

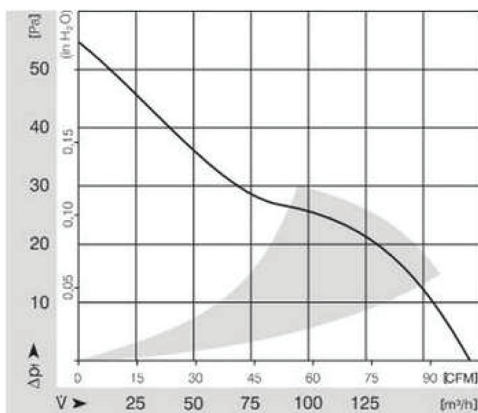
Nominal data	Voltage	Frequency	Air flow	Speed	Power consumption	Bearing	Sound pressure level	Service life 40 C	Service life at T max	Perm. amb. temp.	Weight
Type	VDC	Hz	m3/h	rpm	W		dB ( A )	Hrs	Hrs	C	kg
4412FGML / 9293505434	12	-	114	1950	2,0	sleeve	32	75000	32500	-20..70	0,18

Note : fans used at 60Hz have slightly more air performance

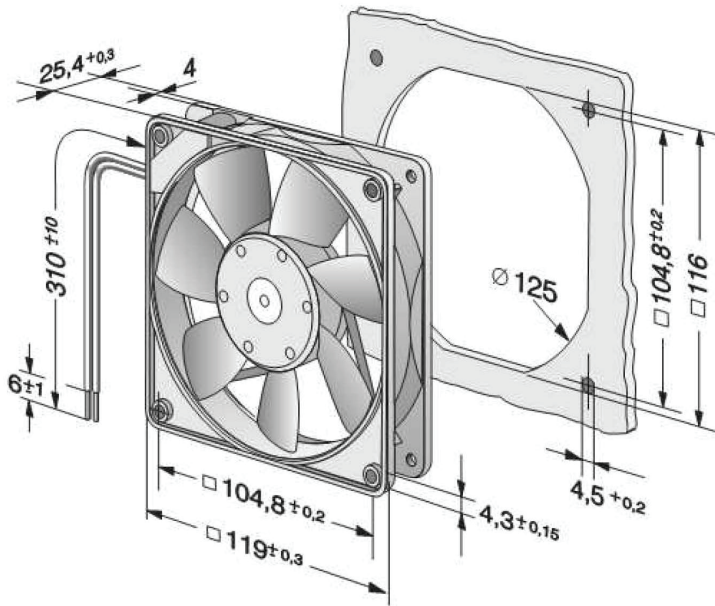
Pricing	Quantities			Accessories
	1	5-9	10>	Grill
4412FGML / 9293505434	€ 23,90	€ 20,79	€ 17,69	LZ30-4 9920030004

All prices are in euro, excluding VAT ( BTW ) Orders are shipped according to incoterms : DAP, transport costs on the basis of calculation before shipment of weight and size.  
 an extra handling fee of € 30,00 to every order with a total value of less than € 250,00 and € 15,00 to every order with a total value of € 250,00 to € 500,00 (net, excl. VAT).

### Pressure over air flow rated Voltage



Specific drawing



Connection illustration

119 x 119 x 25



Material : Housing : Glassfibre reinforced PA6  
 Blades : Glassfibre reinforced PA6  
 Direction of rotation : Right CCW seen on rotor  
 Number of blades: 7  
 Protection: IP20  
 Isolation: B  
 Mounting position: Free  
 Mode of operation: Continuiuos S1  
 Bearings : Maintenance free Bearings  
 Motorprotection : Electronic protectet  
 Cable : Cable 310 mm  
 Norm : IEC 60038

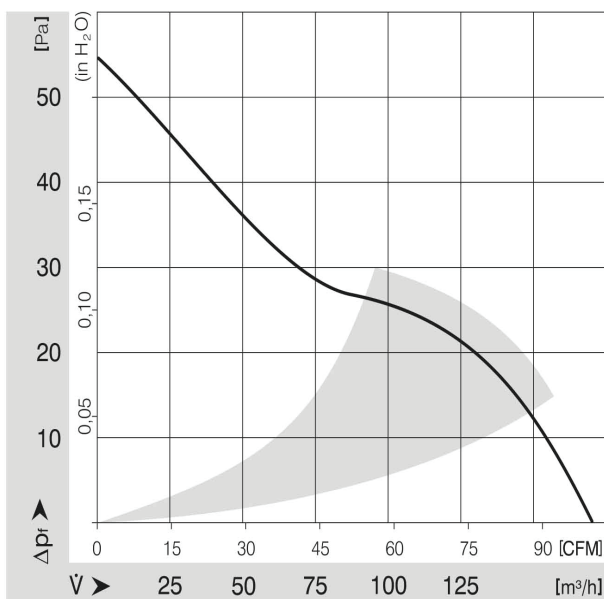
Nominal data	Voltage	Frequency	Air flow	Speed	Power consumption	Bearing	Sound pressure level	Service life 40 C	Service life at T max	Perm. amb. temp.	Weight
Type	VDC	Hz	m3/h	rpm	W		dB ( A )	Hrs	Hrs	C	kg
4414F / 9293505405	24	-	170	2900	5	ball	43	60000	37500	-20..60	0,18

Note : fans used at 60Hz have slightly more air performance

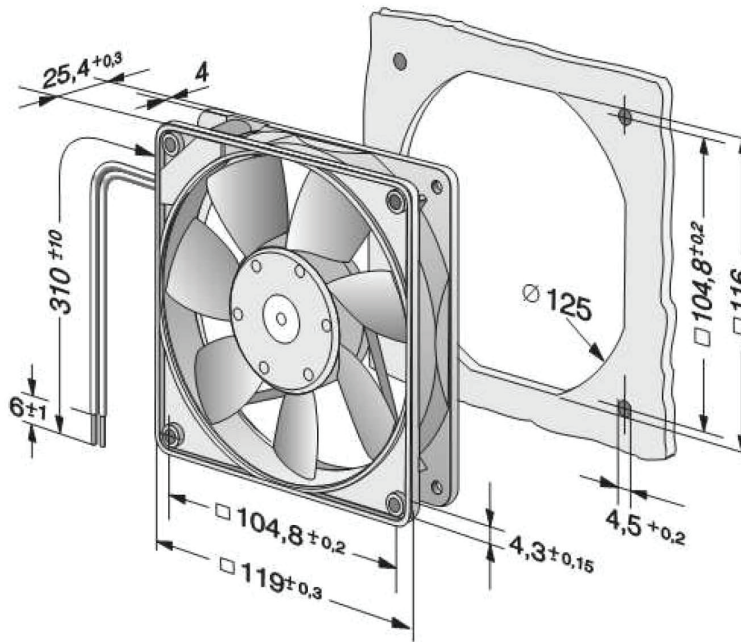
Pricing	Quantities			Accessories
	1	5-9	10>	Grill
4414F / 9293505405	€ 34,80	€ 30,28	€ 25,75	LZ 30-4 9920030004

All prices are in euro, excluding VAT ( BTW ) Orders are shipped according to incoterms : DAP, transport costs on the basis of calculation before shipment of weight and size.  
 an extra handling fee of € 30,00 to every order with a total value of less than € 250,00 and € 15,00 to every order with a total value of € 250,00 to € 500,00 (net, excl. VAT).

### Pressure over air flow rated Voltage



Specific drawing



Connection illustration

119 x 119 x 32 mm



Material :  
 Direction of rotation  
 Number of blades:  
 Protection:  
 Isolation:  
 Mounting position:  
 Mode of operation:  
 Bearings  
 Motorprotection  
 Cable  
 Norm

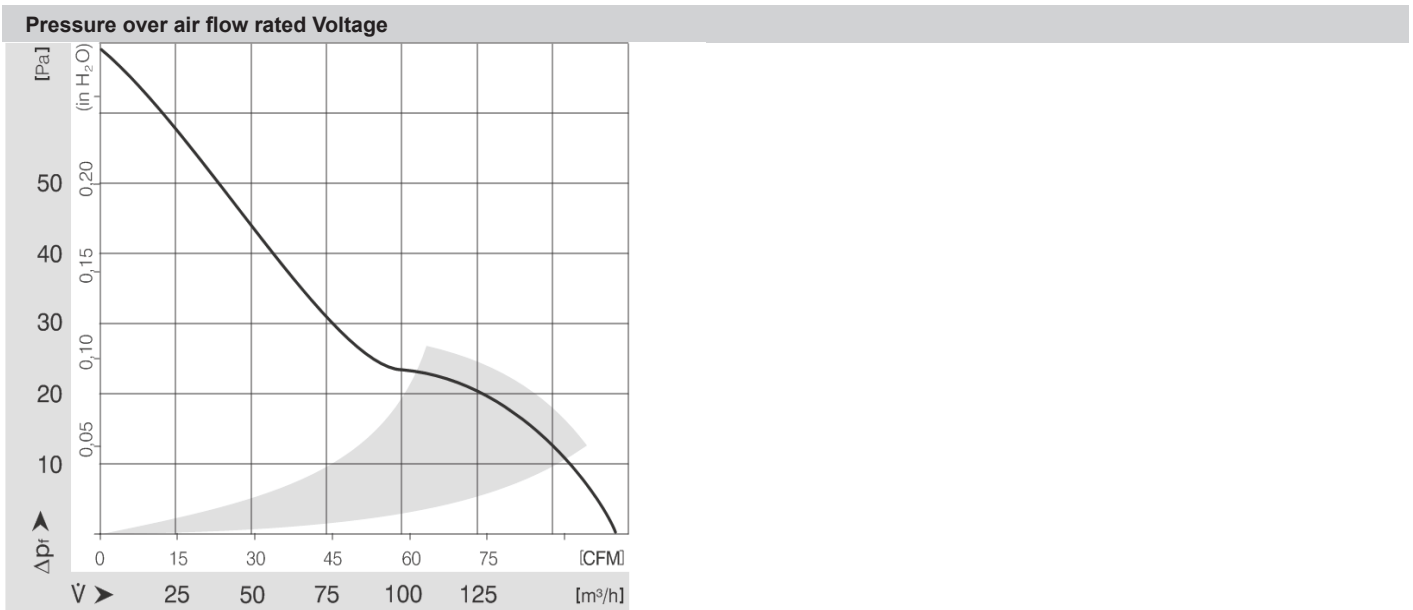
Housing : Glassfibre reinforced PA6  
 Blades : Glassfibre reinforced PA6  
 Right CW seen on rotor  
 5  
 IP20  
 B  
 Free  
 Continuiuos S1  
 Maintenance free Bearings  
 Electronic protectet  
 Cable 310 mm  
 IEC 60038

Nominal data	Voltage	Frequency	Air flow	Speed	Power consumption	Bearing	Sound pressure level	Service life 40 C	Service life at T max	Perm. amb. temp.	Weight
Type	VDC	Hz	m3/h	rpm	W		dB ( A )	Hrs	Hrs	C	kg
4314 / 9294305013	24		170	2800	5	ball	45	62500	27500	-20.. 75	0.220

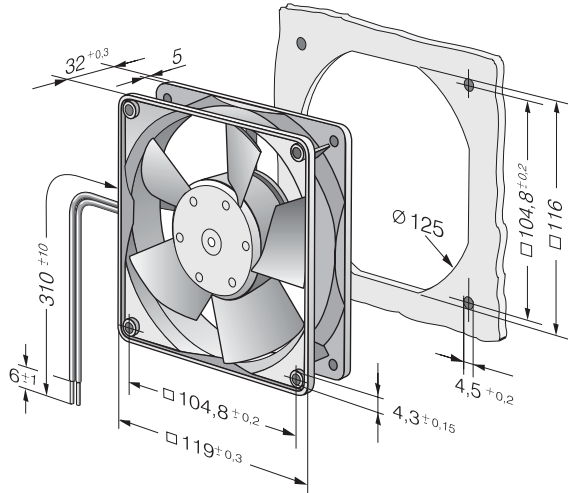
Note : fans used at 60Hz have slightly more air performance

Pricing	Quantities			Accessories
	1	5-9	10>	
Product Code				Grill
4314 / 9294305013	€ 36,32	€ 31,60	€ 26,88	LZ 30-4 9920030004

All prices are in euro, excluding VAT ( BTW ) Orders are shipped according to incoterms : DAP, transport costs on the basis of calculation before shipment of weight and size.  
 an extra handling fee of € 30,00 to every order with a total value of less than € 250,00 and € 15,00 to every order with a total value of € 250,00 to € 500,00 (net, excl. VAT).



Specific drawing



Connection illustration

119 x 119 x 32 mm



Material :	Housing : Glassfibre reinforced PA6
Direction of rotation	Blades : Glassfibre reinforced PA6
Number of blades:	Right CW seen on rotor
Protection:	5
Isolation:	IP68
Mounting position:	B
Mode of operation:	Free
Bearings	Continuiuos S1
Motorprotection	Maintenance free Bearings
Cable	Electronic protectet
Norm	Cable 310 mm
	IEC 60038

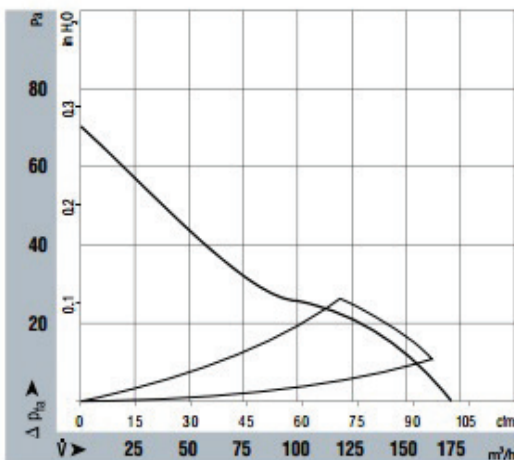
Nominal data	Voltage	Frequency	Air flow	Speed	Power consumption	Bearing	Sound pressure level	Service life 40 C	Service life at T max	Perm. amb. temp.	Weight
Type	VDC	Hz	m3/h	rpm	W		dB ( A )	Hrs	Hrs	C	kg
4314 U / 9294305398	24		170	2800	5.0	Ball	45	62500	27500	-20...70	0.550

Note : fans used at 60Hz have slightly more air performance

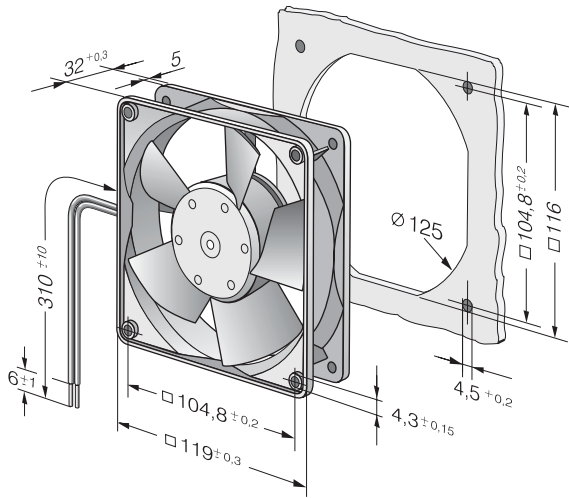
Pricing	Quantities			Accessories
	1	5-9	10>	
Product Code				Grill
4314 U / 9294305398	€ 54,10	€ 47,07	€ 40,03	LZ 30-4 9920030004

All prices are in euro, excluding VAT ( BTW ) Orders are shipped according to incoterms : DAP, transport costs on the basis of calculation before shipment of weight and size.  
 an extra handling fee of € 30,00 to every order with a total value of less than € 250,00 and € 15,00 to every order with a total value of € 250,00 to € 500,00 (net, excl. VAT).

### Pressure over air flow rated Voltage



Specific drawing



Connection illustration

119 x 119 x 38 mm



Material :	Housing : Glassfibre reinforced PA6
Direction of rotation	Blades : Glassfibre reinforced PA6
Number of blades:	Right CW seen on rotor
Protection:	5
Isolation:	IP20
Mounting position:	B
Mode of operation:	Free
Bearings	Continuiuos S1
Motorprotection	Maintenance free Bearings
Cable	Electronic protectet
Norm	Cable 310 mm
	IEC 60038

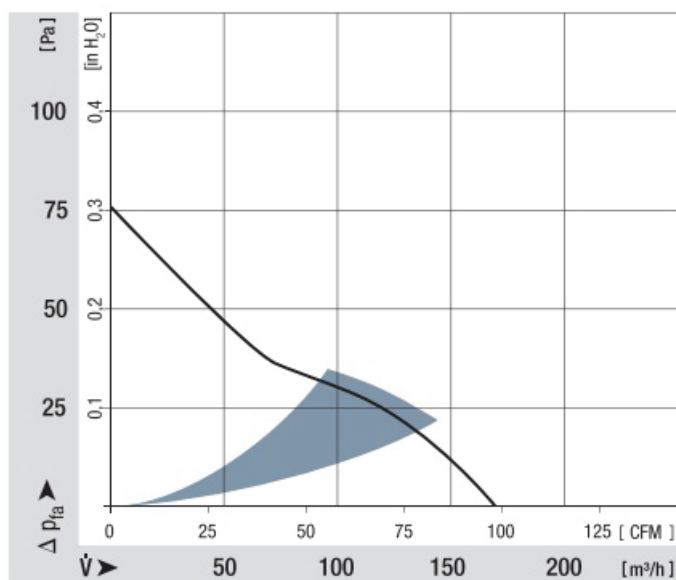
Nominal data	Voltage	Frequency	Air flow	Speed	Power consumption	Bearing	Sound pressure level	Service life 40 C	Service life at T max	Perm. amb. temp.	Weight
Type	VDC	Hz	m3/h	rpm	W		dB ( A )	Hrs	Hrs	C	kg
4414 ML / 9293510560	24		168	3000	3,2	ball	40	67500	22500	-20.. 80	0.270

Note : fans used at 60Hz have slightly more air performance

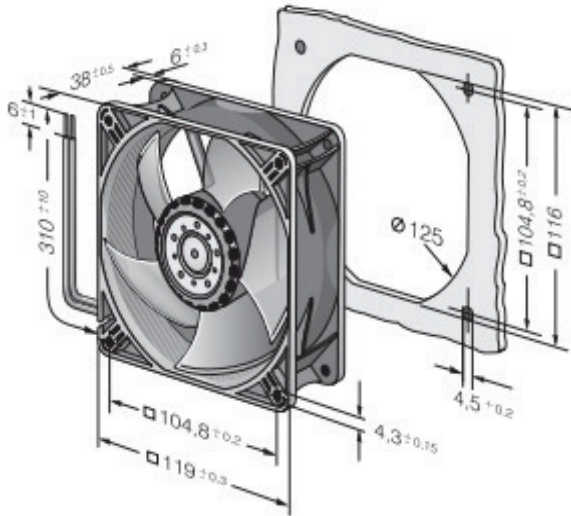
Pricing	Quantities			Accessories
	1	5-9	10>	
Product Code				Grill
4414 ML / 9293510560	€ 28,20	€ 24,50	€ 20,90	

All prices are in euro, excluding VAT ( BTW ) Orders are shipped according to incoterms : DAP, transport costs on the basis of calculation before shipment of weight and size.  
 an extra handling fee of € 30,00 to every order with a total value of less than € 250,00 and € 15,00 to every order with a total value of € 250,00 to € 500,00 (net, excl. VAT).

### Pressure over air flow rated Voltage



Specific drawing



Connection illustration

119 x 119 x 38



Material :  
 Direction of rotation :  
 Number of blades :  
 Protection :  
 Isolation :  
 Mounting position :  
 Mode of operation :  
 Bearings :  
 Motorprotection :  
 Cable :  
 Norm :

Housing : Glassfibre reinforced PA6  
 Blades : Glassfibre reinforced PA6  
 Right CW seen on rotor  
 5  
 IP20  
 B  
 Free  
 Continuiuos S1  
 Maintenance free Bearings  
 Electronic protectet  
 Cable 310 mm  
 IEC 60038

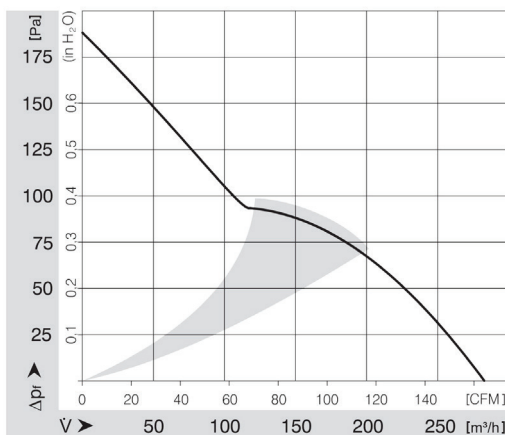
Nominal data	Voltage	Frequency	Air flow	Speed	Power consumption	Bearing	Sound pressure level	Service life 40 C	Service life at T max	Perm. amb. temp.	Weight
Type	VDC	Hz	m3/h	rpm	W		dB ( A )	Hrs	Hrs	C	kg
4414HH / 9293510524	24	-	285	5000	14	Ball	55	50000	25000	-20..70	0,27

Note : fans used at 60Hz have slightly more air performance

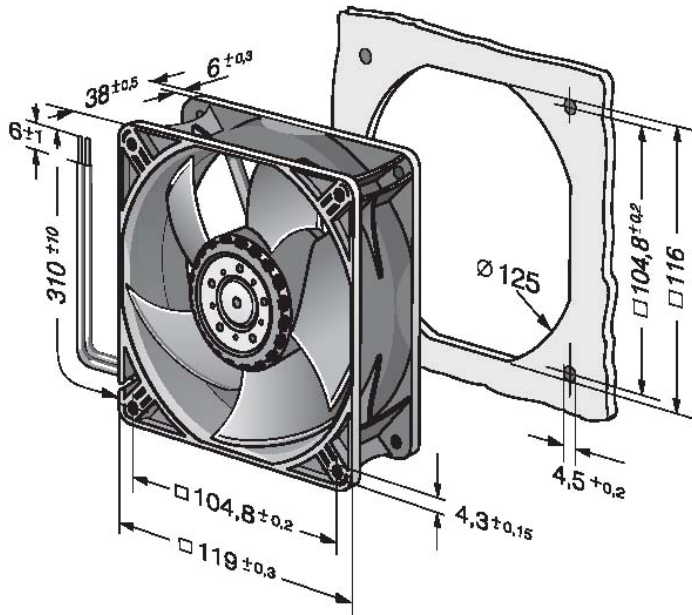
Pricing	Quantities			Accessories
	1	5-9	10>	Grill
4414HH / 9293510524	€ 38,30	€ 33,32	€ 28,34	LZ30-4 9920030004

All prices are in euro, excluding VAT ( BTW ) Orders are shipped according to incoterms : DAP, transport costs on the basis of calculation before shipment of weight and size.  
 an extra handling fee of € 30,00 to every order with a total value of less than € 250,00 and € 15,00 to every order with a total value of € 250,00 to € 500,00 (net, excl. VAT).

### Pressure over air flow rated Voltage



Specific drawing



Connection illustration

119 x 119 x 38



Material :  
 Direction of rotation : Right CW seen on rotor  
 Number of blades : 5  
 Protection : IP20  
 Isolation : B  
 Mounting position : Free  
 Mode of operation : Continuous S1  
 Bearings : Maintenance free Bearings  
 Motorprotection : Electronic protectet  
 Cable : None terminal on housing 2,8 x 0,5 mm  
 Norm : IEC 60038

Housing : aluminium  
 Blades : Glassfibre reinforced PA6

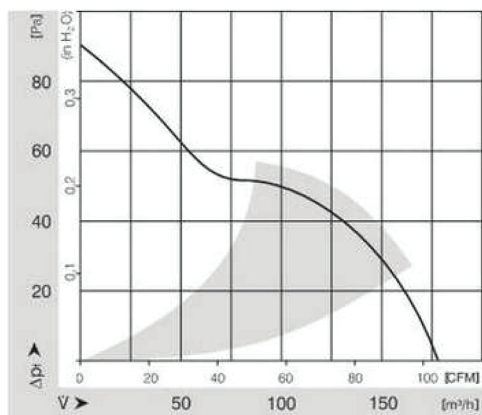
Nominal data	Voltage	Frequency	Air flow	Speed	Power consumption	Bearing	Sound pressure level	Service life 40 C	Service life at T max	Perm. amb. temp.	Weight
Type	VDC	Hz	m3/h	rpm	W		dB ( A )	Hrs	Hrs	C	kg
4184NX / 9294310103	24	-	180	3200	4,5	Ball	49	85000	37500	-30..75	0,39

Note : fans used at 60Hz have slightly more air performance

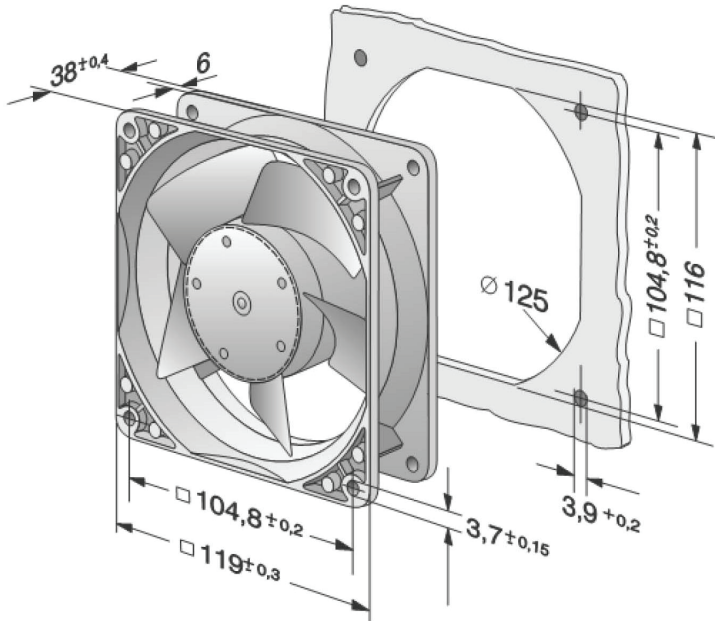
Pricing	Quantities			Accessories
	1	5-9	10>	
Product Code				Grill
4184NX / 9294310103	€ 59,40	€ 51,68	€ 43,96	LZ 30-4 9920030004

All prices are in euro, excluding VAT ( BTW ) Orders are shipped according to incoterms : DAP, transport costs on the basis of calculation before shipment of weight and size.  
 an extra handling fee of € 30,00 to every order with a total value of less than € 250,00 and € 15,00 to every order with a total value of € 250,00 to € 500,00 (net, excl. VAT).

### Pressure over air flow rated Voltage



Specific drawing



Connection illustration

150 x 38



Material :  
 Direction of rotation  
 Number of blades:  
 Protection:  
 Isolation:  
 Mounting position:  
 Mode of operation:  
 Bearings  
 Motorprotection  
 Cable  
 Norm

Housing : aluminium  
 Blades : aluminium  
 Right CCW seen on rotor  
 7  
 IP20  
 B  
 Free  
 Continuiuos S1  
 Maintenance free Bearings  
 Electronic protectet  
 Cable 365 mm  
 IEC 60038

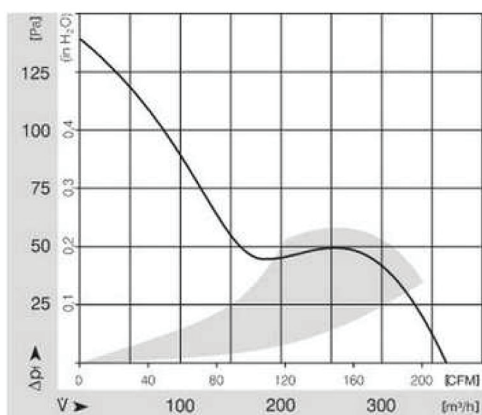
Nominal data	Voltage	Frequency	Air flow	Speed	Power consumption	Bearing	Sound pressure level	Service life 40 C	Service life at T max	Perm. amb. temp.	Weight
Type	VDC	Hz	m3/h	rpm	W		dB ( A )	Hrs	Hrs	C	kg
7114N / 9295410121	24	-	360	2850	12	ball	55	80000	37500	-25..72	0,62

Note : fans used at 60Hz have slightly more air performance

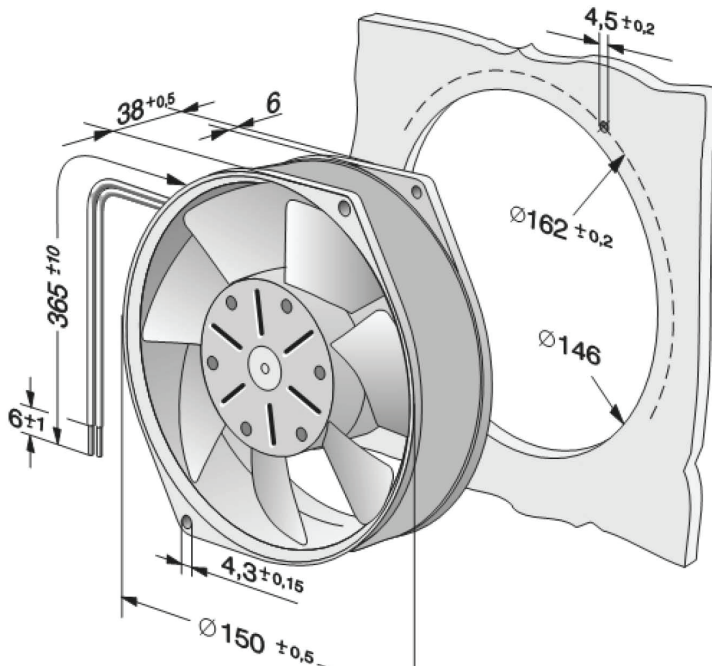
Pricing	Quantities			Accessories
	1	5-9	10>	Grill
7114N / 9295410121	€ 114,40	€ 99,53	€ 84,66	LZ36 9920036000

All prices are in euro, excluding VAT ( BTW ) Orders are shipped according to incoterms : DAP, transport costs on the basis of calculation before shipment of weight and size.  
 an extra handling fee of € 30,00 to every order with a total value of less than € 250,00 and € 15,00 to every order with a total value of € 250,00 to € 500,00 (net, excl. VAT).

### Pressure over air flow rated Voltage



Specific drawing



Connection illustration

172 x 51



Material :	Housing : aluminium
Direction of rotation	Blades : Glassfibre reinforced PA6
Number of blades:	Right CW seen on rotor
Protection:	5
Isolation:	IP20
Mounting position:	B
Mode of operation:	Free
Bearings	Continuos S1
Motorprotection	Maintenance free Bearings
Cable	Electronic protectet
Norm	Cable 365 mm
	IEC 60038

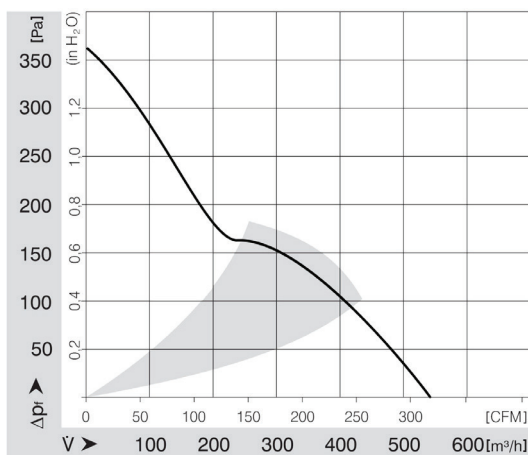
Nominal data	Voltage	Frequency	Air flow	Speed	Power consumption	Bearing	Sound pressure level	Service life 40 C	Service life at T max	Perm. amb. temp.	Weight
Type	VDC	Hz	m3/h	rpm	W		dB ( A )	Hrs	Hrs	C	kg
DV6224 / 9295414502	24	-	540	4300	40	ball	63	90000	40000	-20..75	0,82

Note : fans used at 60Hz have slightly more air performance

Pricing	Quantities			Accessories
	1	5-9	10>	
Product Code				Grill
DV6224 / 9295414502	€ 142,10	€ 123,63	€ 105,15	LZ36 9920036000

All prices are in euro, excluding VAT ( BTW ) Orders are shipped according to incoterms : DAP, transport costs on the basis of calculation before shipment of weight and size.  
 an extra handling fee of € 30,00 to every order with a total value of less than € 250,00 and € 15,00 to every order with a total value of € 250,00 to € 500,00 (net, excl. VAT).

### Pressure over air flow rated Voltage







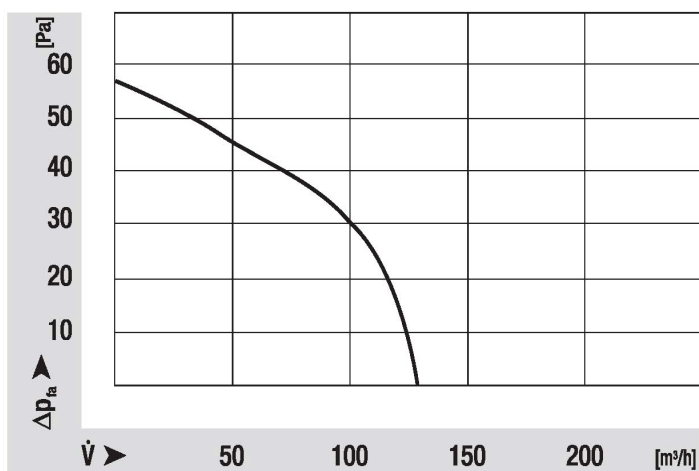
Material : Blades coated black steelplate  
 Isolation: B  
 Mounting position: Horizontal or vertical with motor at bottom  
 Bearings: Maintenance free Bearings  
 Motorprotection: Impedance protectet  
 Connection: Flat plug 6.3 x 0.8 mm.

Nominal data		Voltage	Frequency	Air flow	Speed	Power consumption	Bearing	Sound pressure level	Pressure increase	Perm. amb. temp.	Weight
Type	Motor	VAC	Hz	m3/h	rpm	W	A	dB ( A )	Pa	C	kg
QLZ06/1800-2524 / 55410.81610		230	50	150	1800	33	0.24	-		0...60	0.90

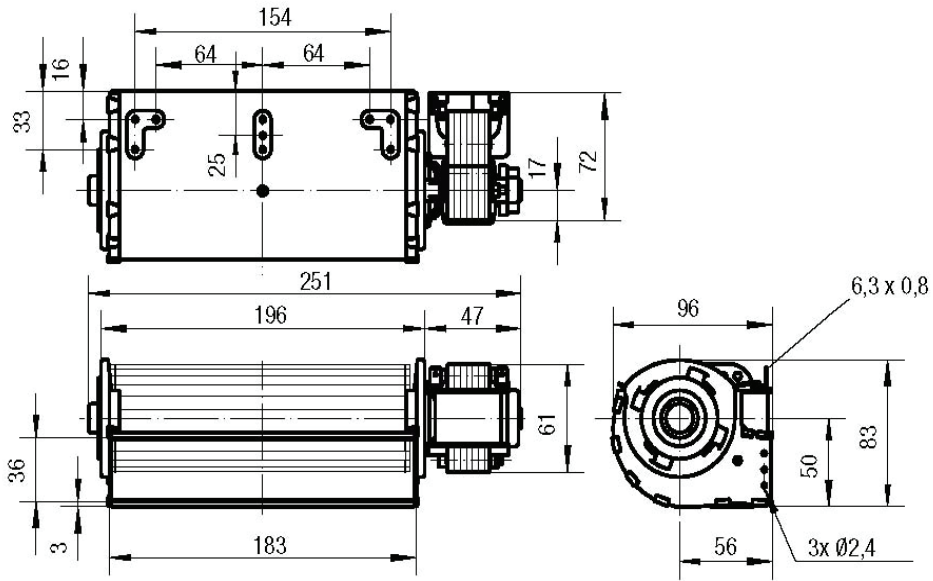
Product Code	Quantities			
	1	2-4	5-9	10-15
QLZ06/1800-2524 / 55410.81610	€ 76,40	€ 69,29	€ 62,46	€ 55,58

All prices are in euro, excluding VAT ( BTW ) Orders are shipped according to incoterms : DAP, transport costs on the basis of calculation before shipment of weight and size.  
 an extra handling fee of € 30,00 to every order with a total value of less than € 250,00 and € 15,00 to every order with a total value of € 250,00 to € 500,00 (net, excl. VAT).

#### Pressure over air flow rated Voltage



Specific drawing



Connection illustration



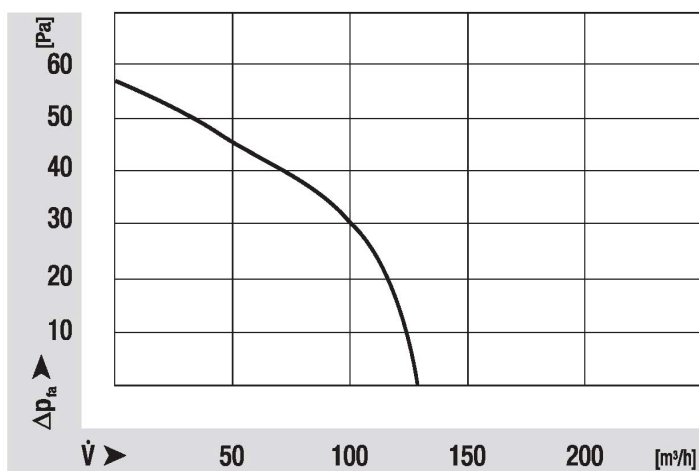
Material : Blades coated black steelplate  
 Isolation: B  
 Mounting position: Horizontal or vertical with motor at bottom  
 Bearings: Maintenance free Bearings  
 Motorprotection: Impedance protectet  
 Connection: Flat plug 6.3 x 0.8 mm.

Nominal data		Voltage	Frequency	Air flow	Speed	Power consumption	Bearing	Sound pressure level	Pressure increase	Perm. amb. temp.	Weight
Type	Motor	VAC	Hz	m3/h	rpm	W	A	dB ( A )	Pa	C	kg
QLZ06/0018-2524/ 55410.91360		230	50	150	1800	33	0.24	-		0...60	0.90

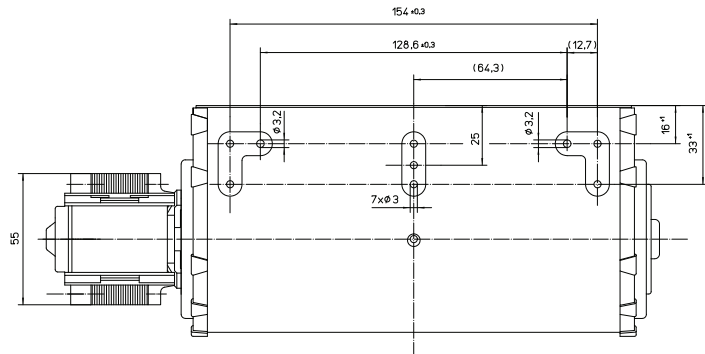
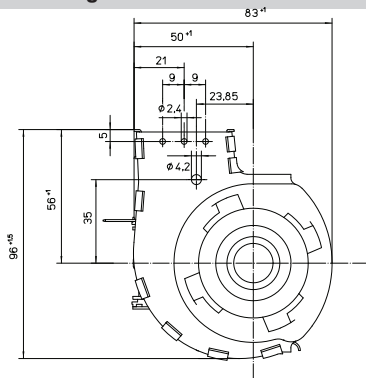
Product Code	Quantities			
	1	2-4	5-9	10-15
QLZ06/0018-2524/ 55410.91360	€ 87,00	€ 78,91	€ 71,13	€ 63,29

All prices are in euro, excluding VAT ( BTW ) Orders are shipped according to incoterms : DAP, transport costs on the basis of calculation before shipment of weight and size.  
 an extra handling fee of € 30,00 to every order with a total value of less than € 250,00 and € 15,00 to every order with a total value of € 250,00 to € 500,00 (net, excl. VAT).

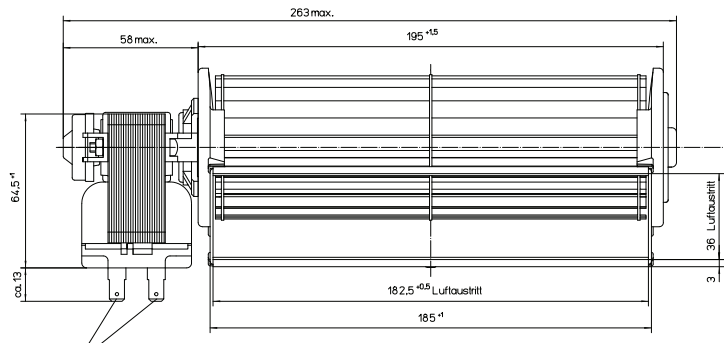
#### Pressure over air flow rated Voltage



Specific drawing



Role Farbkennzeichnung auf Spule  
(nur bei Sach-End-Nr.81)



Connection illustration



Direction of rotation: Right CW seen on rotor  
 Protection: IP42  
 Isolation: B  
 Condensate discharges: None  
 Mounting position: Free,  
 Mode of operation: Continuos S1  
 Bearings: Maintance free Bearings  
 Motorprotection: Types 1-3 impedance protectet  
 Motorprotection: Types 4-8 and IQ Integrated temperatur switches  
 Mounting: See drawing for possibilities  
 Cable: 1500 mm  
 Norm: CE and VDE

Nominal data	Voltage	Frequency	Speed	Power output	Power consumption	Current	perm. amb. temo	Weight	Price	Price	Price
Type	VAC	Hz	rpm	W	W	A	C	kg	1-4	5-9	10-14
M4Q045BD0175 (1)	230	50	1300	5	29	0,19	-30..40	0,9	€ 20,40	€ 17,70	€ 15,90
M4Q045CA0175 (2)	230	50	1300	7	31	0,20	-30..40	1,1	€ 24,20	€ 21,00	€ 18,90
M4Q045CA0375 (3)	230	50	1300	10	36	0,25	-30..40	1,2	€ 25,10	€ 21,70	€ 19,60
M4Q045CF0175 (4)	230	50	1300	16	60	0,42	-30..40	1,3	€ 27,00	€ 23,50	€ 21,10
M4Q045DA0175 (5)	230	50	1300	18	70	0,48	-30..40	1,6	€ 30,10	€ 26,20	€ 23,60
M4Q045DA0575 (6)	230	50	1300	23	86	0,62	-30..40	1,6	€ 31,10	€ 27,00	€ 24,30
M4Q045EA0175 (7)	230	50	1300	25	90	0,62	-30..40	2,0	€ 37,90	€ 33,00	€ 29,70
M4Q045EF0175 (8)	230	50	1300	34	110	0,75	-30..40	2,2	€ 42,00	€ 36,50	€ 32,80

### IQ motors are energy saving alternatives with fully : fit form and function

IQ3612 altn voor (1)*	230	50	1300		9,2		-40..50	0,5	€ 66,24	€ 60,03	€ 58,37
IQ3612 altn voor (2)*	230	50	1300		12,1		-40..50	0,6	€ 66,24	€ 60,03	€ 58,37
IQ3612 altn voor (3)*	230	50	1300		21,2		-40..50	0,6	€ 66,24	€ 60,03	€ 58,37
IQ3612 altn voor (4)*	230	50	1300		23,4		-40..50	0,6	€ 66,24	€ 60,03	€ 58,37
IQ3620 altn voor (5)**	230	50	1300		25,7		-40..50	0,8	€ 70,38	€ 64,17	€ 62,51

\* IQ3612 / 55330.01083

\*\* IQ3620 / 55330.01150

All prices are in euro, excluding VAT ( BTW ) Orders are shipped according to incoterms : DAP, transport costs on the basis of calculation before shipment of weight and size.

an extra handling fee of € 30,00 to every order with a total value of less than € 250,00 and € 15,00 to every order with a total value of € 250,00

#### Please note :

All power consumption values of the IQ motors are at the maximum wing diameter and the maximum blade angle. For the exact values contact our sales department also return on investment values can be given.





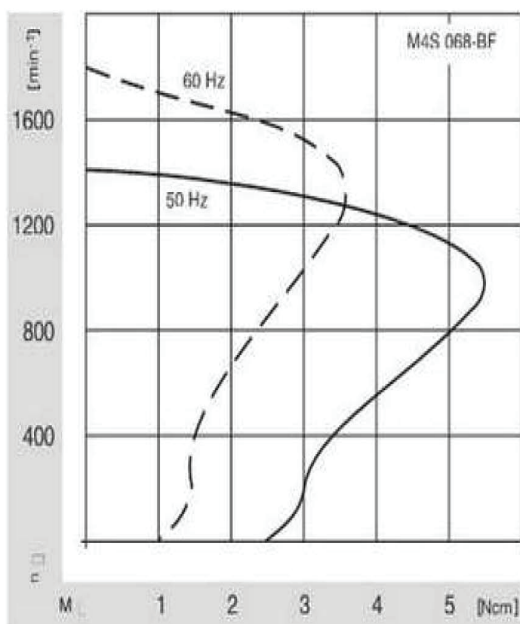


Material :	Mounting flange die-cast aluminum Rotor stove-enameled in black Shaft stainless steel
Direction of rotation	Right, CW seen on rotor
Protection:	IP44
Isolation:	B
Condensate discharges	none
Mounting position:	Free
Mode of operation:	continuos S1
Bearings	Maintenance free Ball Bearings
Motorprotection	Integrated temperatur switches
Cable	Variabel
Norm	EN 60335-1

Nominal data	Voltage	Frequency	Speed	Current	Starting torque	Nominal torque	Shaft lenght	Cable length	Price	Price	Price
Type	VAC	Hz	rpm	A	mNm	mNm	mm	mm	1-4	5-9	10-14
M4S068BF0819	230	50	1200	0.18	25	46	192	450	€ 96,40	€ 83,80	€ 75,50
M4S068BF0814	230	50	1200	0.18	25	46	192	1200	€ 97,40	€ 84,70	€ 76,30

All prices are in euro, excluding VAT ( BTW ) Orders are shipped according to incoterms : DAP, transport costs on the basis of calculation before shipment of weight and size.  
an extra handling fee of € 30,00 to every order with a total value of less than € 250,00 and € 15,00 to every order with a total value of € 250,00 to € 500,00 (net, excl. VAT).

### Delivery head over airflow at 50 Hz





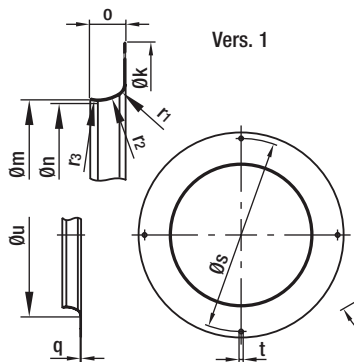
Product code	uF	Size (mm)	Quantities / Pricing	
			1-9	10-49
280F00031	1	30x57	€ 4,30	€ 3,42
280F00032	1.5	30x57	€ 4,40	€ 3,50
280F00033	2	30x57	€ 4,50	€ 3,58
280F00035	3	30x57	€ 4,60	€ 3,66
280F00036	4	30x57	€ 5,00	€ 3,98
280F00037	5	30x70	€ 5,80	€ 4,61
280F00038	6	35x70	€ 6,00	€ 4,77
280F00039	8	35x70	€ 8,00	€ 5,30
280F00040	10	40x70	€ 9,20	€ 6,10
280F00041	12	45x70	€ 10,50	€ 6,96
280F00042	14	45x70	€ 11,00	€ 7,29
280F00043	16	40x94	€ 11,50	€ 7,62
280F00044	20	45x94	€ 14,00	€ 9,28
280F00045	25	45x94	€ 15,00	€ 9,95
280F00046	35	50x121	€ 20,70	€ 13,72

All prices are in euro, excluding VAT ( BTW ) Orders are shipped according to incoterms : DAP, transport costs on the basis of calculation before shipment of weight and size.  
 an extra handling fee of € 30,00 to every order with a total value of less than € 250,00 and € 15,00 to every order with a total value of € 250,00 to € 500,00 (net, excl. VAT).

Type	Size	Quantities		
		1-4	5-9	10-14
09588-2-4013	160	€ 8,50	€ 7,40	€ 6,60
09576-2-4013	140/146/175/190	€ 5,40	€ 4,80	€ 4,20
09597-2-4013	180	€ 9,40	€ 8,20	€ 7,40
09609-2-4013	220	€ 10,80	€ 9,50	€ 8,40
96358-2-4013	225	€ 9,60	€ 8,40	€ 7,50
96360-2-4013	270/280	€ 16,50	€ 14,30	€ 12,80

All prices are in euro, excluding VAT ( BTW ) Orders are shipped according to incoterms : DAP, transport costs on the basis of calculation before shipment of weight and size.  
 an extra handling fee of € 30,00 to every order with a total value of less than € 250,00 and € 15,00 to every order with a total value of € 250,00 to € 500,00 (net, excl. VAT).

### Dimensions

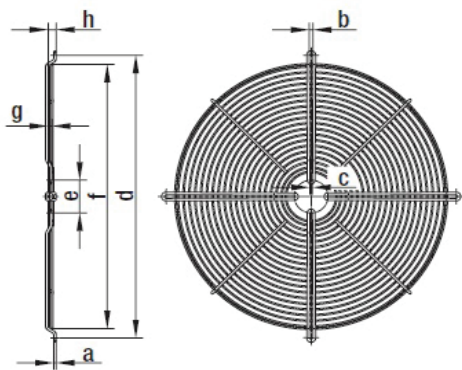


Type	Size	a	b	c	d	e	f	g	h	Quantities		
										1-4	5-9	10-14
09494-2-4039	120	140.0	124.0	132.0						€ 6,00	€ 5,20	€ 4,70
09492-2-4039	140 / 146	168.0	152.0	158.0						€ 6,80	€ 6,00	€ 5,40
78128-2-4039	200	240.0	5.4	221.5	208.0					€ 10,80	€ 9,50	€ 8,40
18656-2-4039	200	3.9	4.6	4.6	245.0	58.0	195.0			€ 14,90	€ 13,00	€ 11,70
09518-2-4039	250	295.0	265.0	7.0						€ 17,60	€ 15,30	€ 13,80
09418-2-4039	250	295.0	6.4	278.5	270.0					€ 16,80	€ 14,60	€ 13,10
09414-2-4039	250	3.9	4.6	4.6	290.0	58.0	247.0			€ 15,70	€ 13,70	€ 12,30

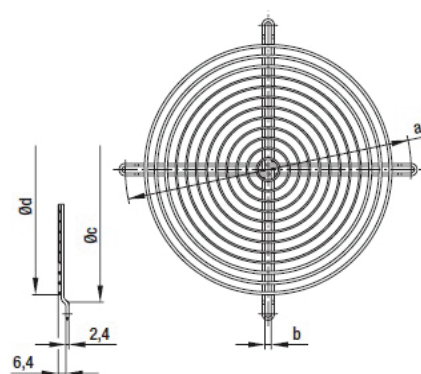
All prices are in euro, excluding VAT ( BTW ) Orders are shipped according to incoterms : DAP, transport costs on the basis of calculation before shipment of weight and size.  
 an extra handling fee of € 30,00 to every order with a total value of less than € 250,00 and € 15,00 to every order with a total value of € 250,00 to € 500,00 (net, excl. VAT).

### Dimensions

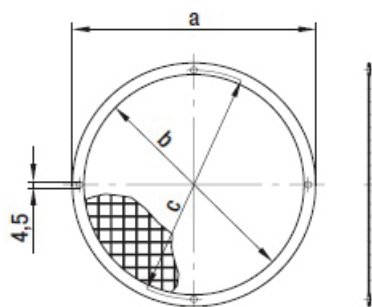
09414-2-4039 / 18656-2-4039



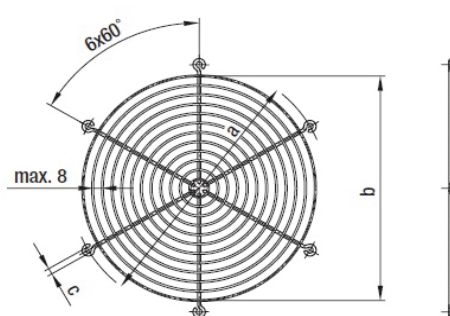
09418-2-4039 / 78128-2-4039



09492-2-4039 / 09494-2-4039



09518-2-4039



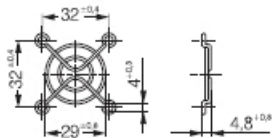
Type	Fan Series	Product code	Quantities		
			1-4	5-9	10-14
LZ29-1	400	9920029001	€ 3,10	€ 2,70	€ 2,29
LZ28-1	600	9920028001	€ 3,80	€ 3,11	€ 2,81
LZ23-1	3000	9920023001	€ 6,30	€ 5,48	€ 4,66
LZ32-4	8000	9920032004	€ 5,80	€ 5,05	€ 4,29
LZ30-4	9000/4000	9920030004	€ 6,50	€ 5,66	€ 4,81
LZ25	5100/5600	9920025000	€ 7,10	€ 6,18	€ 5,25
LZ35	5200	9920035000	€ 5,10	€ 4,44	€ 3,77
LZ36	7000	9920036000	€ 6,00	€ 5,22	€ 4,44
LZ37	6300	9920037000	€ 6,50	€ 5,66	€ 4,81

All prices are in euro, excluding VAT ( BTW ) Orders are shipped according to incoterms : DAP, transport costs on the basis of calculation before shipment of weight and size.

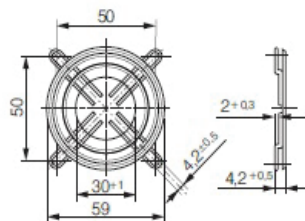
an extra handling fee of € 30,00 to every order with a total value of less than € 250,00 and € 15,00 to every order with a total value of € 250,00 to € 500,00 (net, excl. VAT).

### Dimensions

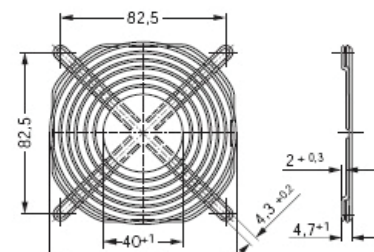
**LZ29-1** Fan size 40 x 40



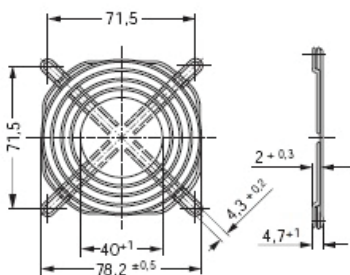
**LZ28-1** Fan size 60 x 60



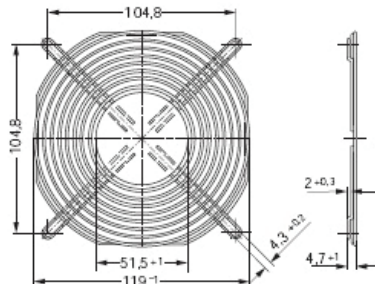
**LZ23-1** Fan size 92 x 92



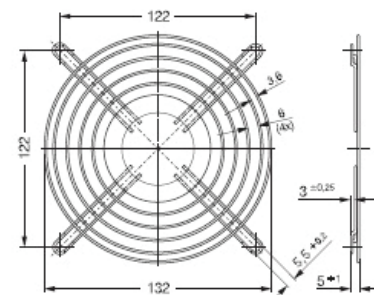
**LZ32-4** Fan size 80 x 80



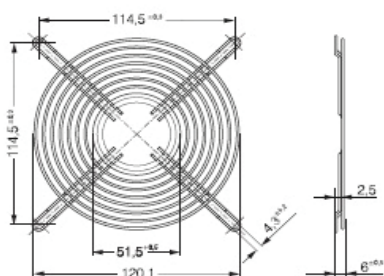
**LZ30-4** Fan size 119 x 119



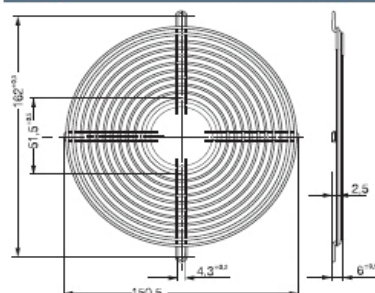
**LZ25** Fan size 135 x 135



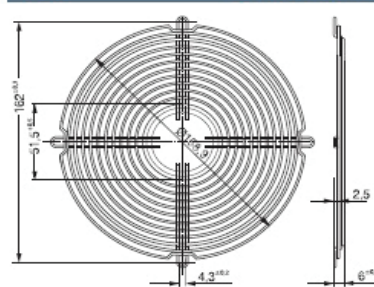
**LZ35** Fan size 127 x 127



**LZ36** Fan size 150 x 172



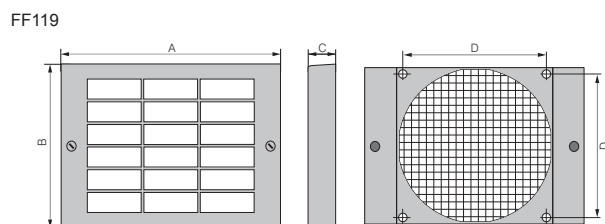
**LZ37** Fan size 172 x 51



Type	Product code	Fan size	A	B	C	D	Replacement filter*	Quantities		
								1-4	5-9	10-14
LZ60	9920060000							€ 8,10	€ 7,05	€ 5,99
FF119	9920340004	119 x 119 mm	162	136	18,5	104,5	RF 119	€ 35,40	€ 30,80	€ 26,20

All prices are in euro, excluding VAT ( BTW ) Orders are shipped according to incoterms : DAP, transport costs on the basis of calculation before shipment of weight and size.  
 an extra handling fee of € 30,00 to every order with a total value of less than € 250,00 and € 15,00 to every order with a total value of € 250,00 to € 500,00 (net, excl. VAT).

### Dimensions





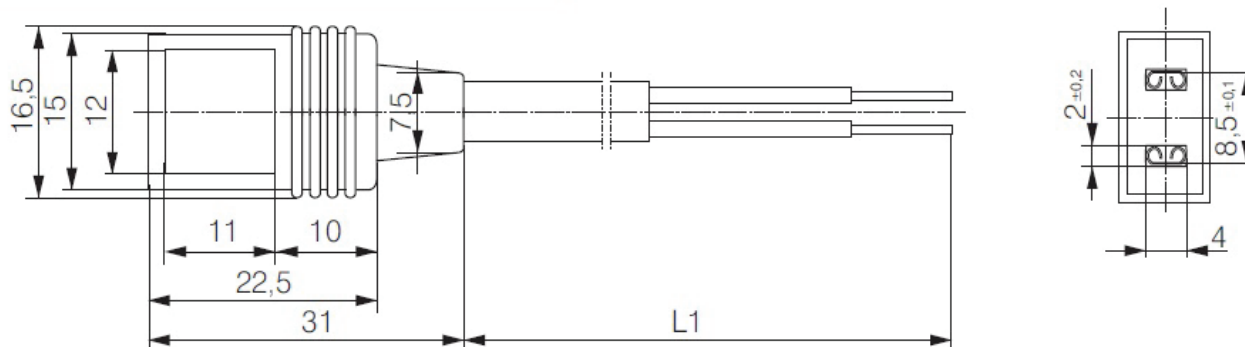
Type	L1	Product code	Quantities		
			1-4	5-9	10-14
LZ120	610	9920120000	€ 3,30	€ 2,87	€ 2,44
LZ120-4	2000	9920120004	€ 4,50	€ 3,92	€ 3,33
LZ126	1000	9920126000	€ 5,10	€ 4,44	€ 3,77

All prices are in euro, excluding VAT ( BTW ) Orders are shipped according to incoterms : DAP, transport costs on the basis of calculation before shipment of weight and size.  
 an extra handling fee of € 30,00 to every order with a total value of less than € 250,00 and € 15,00 to every order with a total value of € 250,00 to € 500,00 (net, excl. VAT).

### Dimensions

#### Connection cable

#### Straight plug (G)





### TMV2

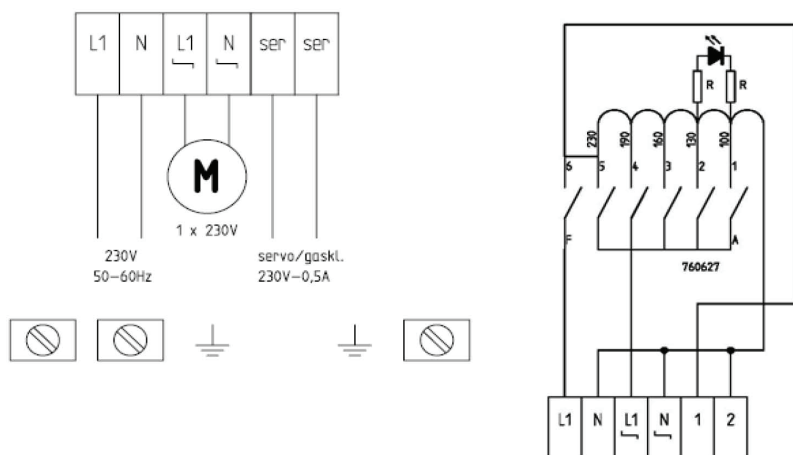
The 5-speed controller type TMV2 is for use in general rooms and kitchens. The casing is protection class IP54. The controller has a connection for servo contact (230 V ~50-60 Hz / 0.5 A).

Nominal data	product code	Voltage	Output voltage	Current	Dimensions	Price
TMV2-3	280F00086	230	0-100-130-160-190-230	3.0	192x152x87 (Plastic)	€ 98,40
TMV2-7	280F00088	230	0-100-130-160-190-230	7.0	235x182x148 (Plastic)	€ 130,88

All prices are in euro, excluding VAT ( BTW ) Orders are shipped according to incoterms : DAP, transport costs on the basis of calculation before shipment of weight and size.  
 an extra handling fee of € 30,00 to every order with a total value of less than € 250,00 and € 15,00 to every order with a total value of € 250,00 to € 500,00 (net, excl. VAT).

### Connection illustration

#### TMV 2 - series



- **Brand:** ABB Busch-Jaeger
- Speed controller 2.5A with illumination



Nominal data							
Type	Artikelnr.	Current A	Mounting	Protection class IP	Color RAL	Hallogen free	
2297-AG-110	280F00023	2.5	Surface	44	1013	Yes	€ 125,90
Subject to modification							

All prices are in euro, excluding VAT ( BTW ) Orders are shipped according to incoterms : DAP, transport costs on the basis of calculation before shipment of weight and size.  
 an extra handling fee of € 30,00 to every order with a total value of less than € 250,00 and € 15,00 to every order with a total value of € 250,00 to € 500,00 (net, excl. VAT).

Subject to modification



Speed controller for 0-10V controle. R=10K

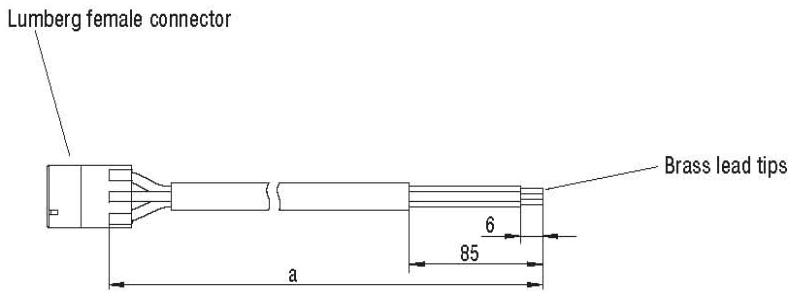
Nominal data							
Type	Artikelnr.	Current A	Mounting	Protection class IP	Color RAL	Hallogen free	Price
Potmeterkastje	280A00050						€ 34,35
Subject to modification							

All prices are in euro, excluding VAT ( BTW ) Orders are shipped according to incoterms : DAP, transport costs on the basis of calculation before shipment of weight and size.  
 an extra handling fee of € 30,00 to every order with a total value of less than € 250,00 and € 15,00 to every order with a total value of € 250,00 to € 500,00 (net, excl. VAT).

Subject to modification

Connections:  
 Blue: GND  
 Yellow: 0-10V / PWM  
 Red: +10VDC, max 1.1mA

#### Drawing

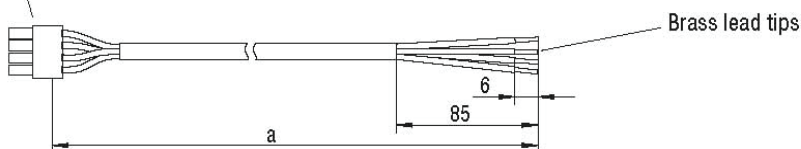


- **Suitable for:**  
D3G146-LT; D3G146-LU; D3G146-LV;  
K3G146-A.....
- **Plug assignment:**
  - 1 = N (blue)
  - 2 = L (black)
  - 3 = PE (green/yellow)

#### Line lead for EC centrifugal fans with plastic housing Pricing

Part no.	a / cable length	1	5	10
65031-4-1040	650,0	€ 6,00	€ 5,20	€ 4,70

Molex Micro Fit female connector



- **Suitable for:**  
D3G146-LT; D3G146-LU; D3G146-LV;  
K3G146-A.....
- **Plug assignment:**
  - 1 = GND (blue)
  - 2 = 0-10V lin. / PWM (yellow)
  - 3 = Tacho (white)
  - 4 = 10V (red)

#### Control lines for EC centrifugal fans with plastic housing Pricing

Part no.	a / cable length	1	5	10
65007-4-1040	650,0	€ 6,40	€ 5,60	€ 5,00

All prices are in euro, excluding VAT ( BTW ) Orders are shipped according to incoterms : DAP, transport costs on the basis of calculation before shipment of weight and size.  
an extra handling fee of € 30,00 to every order with a total value of less than € 250,00 and € 15,00 to every order with a total value of € 250,00 to € 500,00 (net, excl. VAT).