



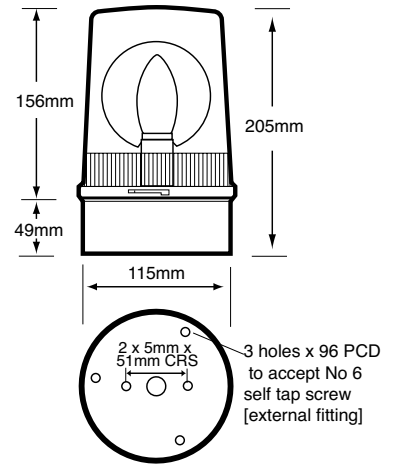
# Visual Signals ROTATING BEACONS

## Industrial Rotating Beacons > R201-200 Series

### Product overview

The R201/200 Series uses a parabolic reflector which, driven by an electric motor, revolves around a continuously illuminated lamp on the vertical axis of the

beacon creating a powerful beam of light travelling through 360 degrees. Generally, this type of beacon has a greater degree of light output than other models but this is off-set by the fact that the parabolic reflector only illuminates one given point at a time.



### FEATURES

- Continuously rated
- Suitable for use with conduit BESA box
- Suitable for surface or wall mounting
- Optional wall bracket & protective guard available – see accessory page
- Diode Polarised (DP) options available for fire alarm systems
- Magnetic base versions available
- Twin belt drive system
- IP65

### MATERIAL

- UV Stable Polycarbonate Lens
- UV Stable ABS Mounting Base

| Code No:   | Voltage:   | Light Source: | Current: |
|------------|------------|---------------|----------|
| R201-13    | 12v Dc --- | H1 x 55w      | 4.70 A   |
| R201-14    | 24v Dc --- | H1 x 70w      | 3.00 A   |
| R201-29*   | 24v Dc --- | Ba15s x 10w   | 0.60 A   |
| R201-60    | 12v Dc --- | Ba15d x 21w   | 1.85 A   |
| R201-61*   | 24v Dc --- | Ba15d x 21w   | 0.95 A   |
| R201-62    | 12v Dc --- | Ba15d x 48w   | 4.00 A   |
| R201-63    | 24v Dc --- | Ba15d x 48w   | 2.00 A   |
| R201-64    | 48v Dc --- | Ba15d x 35w   | 0.55 A   |
| R200-03    | 24v Ac ~   | Ba15d x 48w   | 2.00 A   |
| R200-02    | 48v Ac ~   | Ba15d x 35w   | 0.55 A   |
| R200-04    | 115v Ac ~  | Ba15d x 60w   | 0.55 A   |
| R200-05    | 230v Ac ~  | Ba15d x 60w   | 0.29 A   |
| R200-04-MB | 115v Ac ~  | Ba15d x 60w   | 0.55 A   |
| R200-05-MB | 230v Ac ~  | Ba15d x 60w   | 0.29 A   |

\* Diode polarised

MB – Magnetic Base



**Kg** 0.83

**50 Hz**

**°C** -10+66

**IP** 65

**RPM** 160±30 DC

**RPM** 120 AC

APPROVAL AND CONFORMITIES



ADD THE FOLLOWING LENS CODES TO THE PRODUCT CODE WHEN ORDERING

01 02 03 04 05

INDUSTRIAL

FIRE