

R1G225-AF11-52

# EC centrifugal fan

backward curved, single inlet



**ebm-papst Mulfingen GmbH & Co. KG**

Bachmühle 2

74673 Mulfingen

Phone: +49 7938 81-0

Fax: +49 7938 81-110

[www.ebmpapst.com](http://www.ebmpapst.com)

[info1@de.ebmpapst.com](mailto:info1@de.ebmpapst.com)

## Nominal data

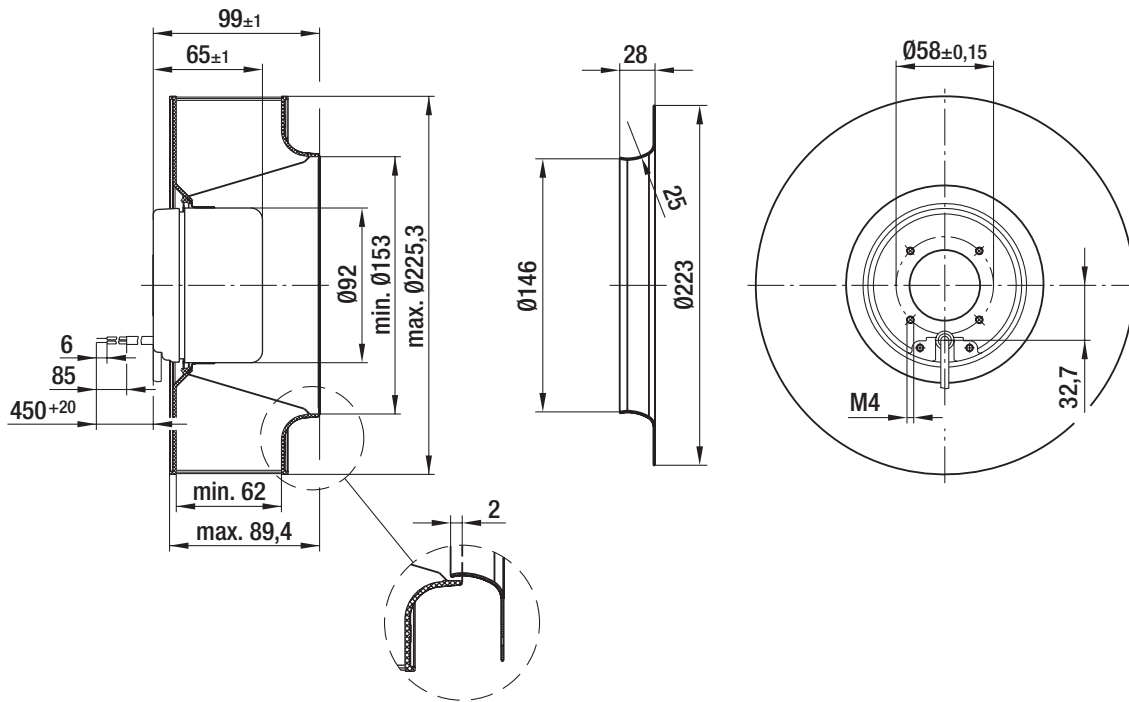
Type	R1G225-AF11-52	
Motor	M1G074-BF	
Nominal voltage	[VDC]	48
Nominal voltage range	[VDC]	36 .. 57
Frequency	[Hz]	-
Type of data definition		rfa
Speed	[min <sup>-1</sup> ]	2700
Power input	[W]	95
Current draw	[A]	2,2
Min. ambient temperature	[°C]	- 25
Max. ambient temperature	[°C]	+ 60
Air flow	[m <sup>3</sup> /h]	1130
Back pressure	[Pa]	0

ml = max. load · me = max. efficiency · rfa = running at free air · cs = customer specs · cu = customer unit  
Subject to alterations

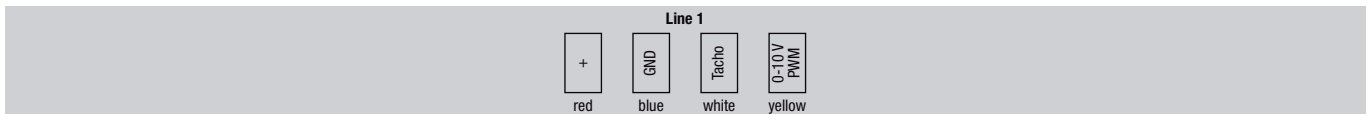
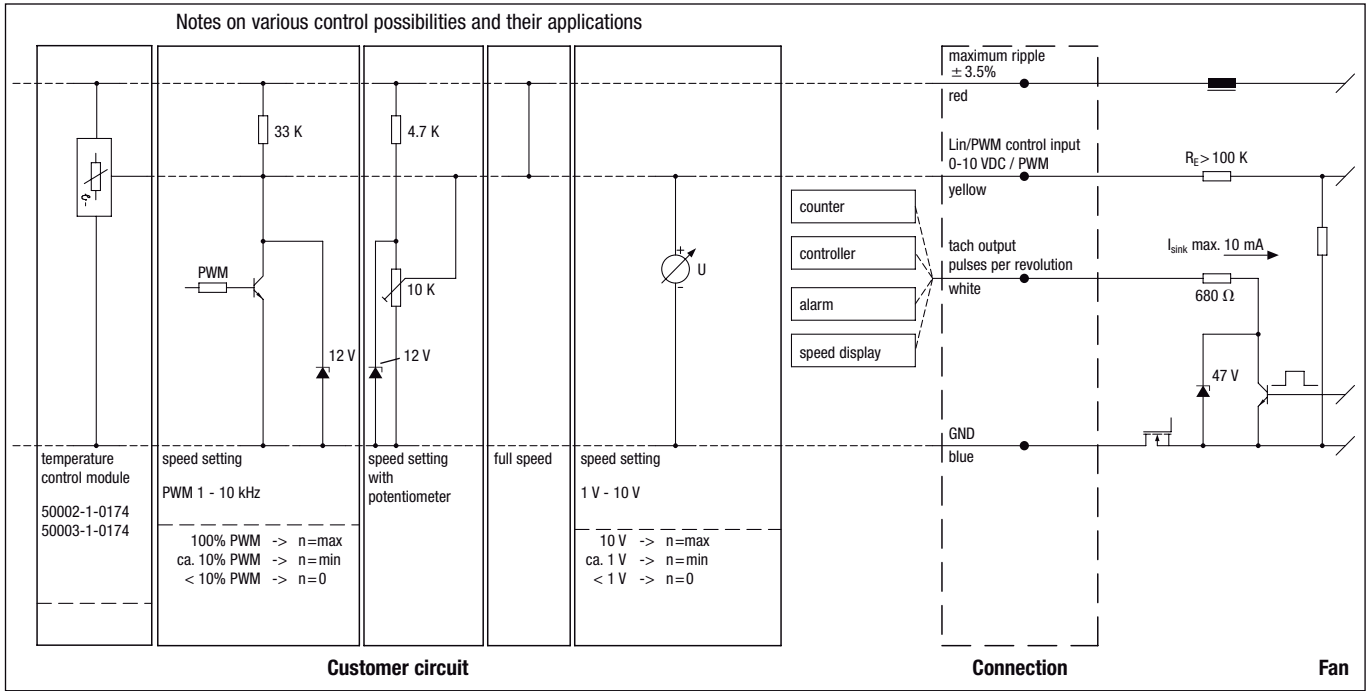
### Technical features

Leakage current	<= 0,25 mA
Size	225 mm
Operation mode	S1
Direction of rotation	Clockwise, seen on rotor
Mounting position	Any
EMC interference emission	Acc. to EN 55022 (Class B)
EMC interference immunity	Acc. to EN 61000-6-2
Insulation class	"B"
Cable exit	Variable
Condensate discharge holes	None
Bearing motor	Ball bearing
Mass	1.45 kg
Material of impeller	Plastic PA66, fibreglass-reinforced
Motor protection	Reverse polarity and locked-rotor protection
Product conforming to standard	EN 60950-1
Surface of rotor	Coated in black
Number of blades	7
Type of protection	IP 42
Technical features	<ul style="list-style-type: none"> <li>- Control input 0-10 VDC / PWM</li> <li>- Tach output</li> <li>- Motor current limit</li> <li>- Soft start</li> </ul>
Max. permissible ambient motor temp. (transp./ storage)	+80 °C
Min. permissible ambient motor temp. (transp./storage)	-40 °C
Approval	CCC; CSA C22.2 Nr.77; UL 1004

## Product drawing

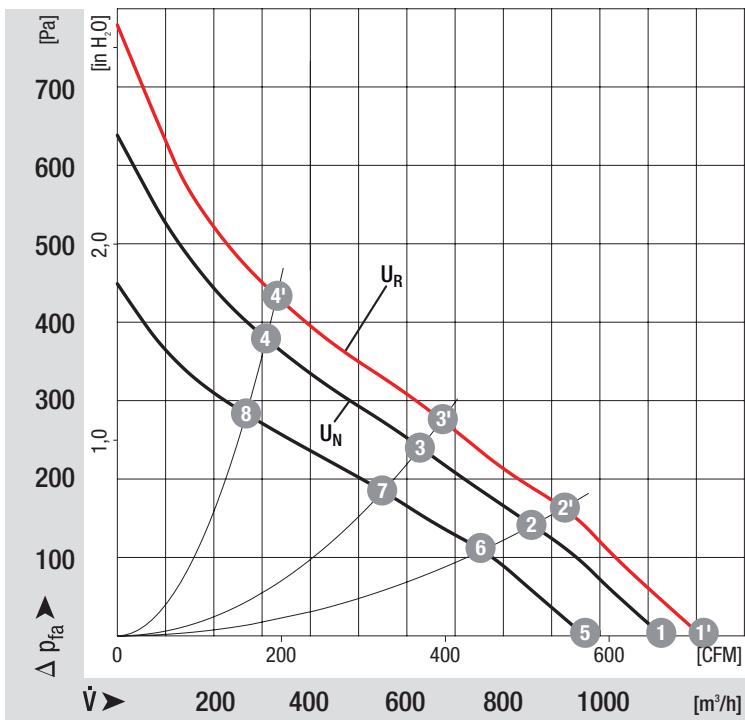


## Connection screen



Line	Signal	Colour	Assignment / function	Line	Signal	Colour	Assignment / function
1	+	red	maximum ripple $\pm 3.5\%$	1	Tacho	white	Tach output: pulses per revolution
	GND	blue	GND		0-10 V / PWM	yellow	Control input

## Charts: Air flow



## Measured values

	n	P <sub>1</sub>	η <sub>TL</sub>
	[min <sup>-1</sup> ]	[W]	[%]
1'	2780	112	
2'	2610	116	48
3'	2570	117	57
4'	2780	112	42
1	2700	95	
2	2450	93	48
3	2400	94	57
4	2610	91	42
5	2230	59	
6	2150	63	48
7	2100	64	57
8	2230	58	42