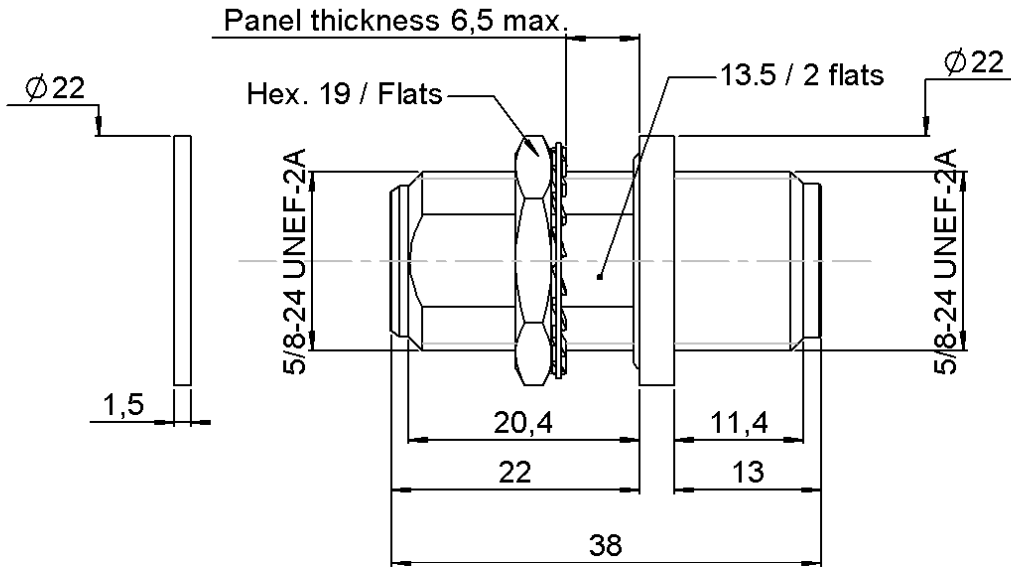


FEMALE-FEMALE HERMETIC ADAPTOR

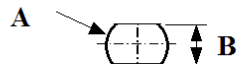
R161.753.000

BULKHEAD TYPE - PANEL SEAL

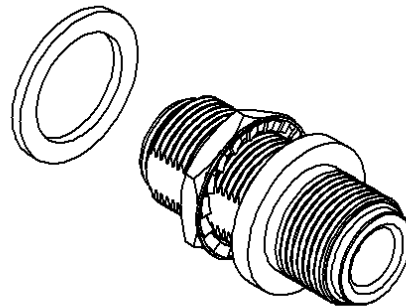
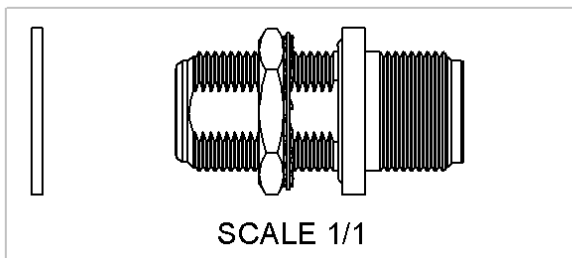
Series : N



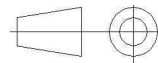
PANEL CUT OUT



mm		
	Maxi	mini
A	16.1	16
B	13.7	13.6



All dimensions are in mm.



COMPONENTS	MATERIALS	PLATING (µm)
BODY	BRASS	BBR 2
CENTER CONTACT	BERYLLIUM COPPER	GOLD 0.5 OVER NICKEL 2
OUTER CONTACT	BRASS	BBR 2
INSULATOR	PTFE+GLASS BEAD	
GASKET	BLACK FLUOROCARBON	
OTHERS PARTS	BRASS	BBR 2
-	-	-
-	-	-

Issue : 1426 F

In the effort to improve our products, we reserve the right to make changes judged to be necessary.



DRAFT

FEMALE-FEMALE HERMETIC ADAPTOR

R161.753.000

BULKHEAD TYPE - PANEL SEAL

Series : N

PACKAGING

SPECIFICATION

Standard	Unit	Other
50	'W' option	Contact us

LEA COAN14HO
N 282 Rev3

ELECTRICAL CHARACTERISTICS

ENVIRONMENTAL

Impedance **50** Ω
 Frequency **0-11** GHz
 VSWR **1.45 + 0,0000** x F(GHz) Maxi
 Insertion loss **0.10** √F(GHz) dB Maxi
 RF leakage - (**101** - F(GHz)) dB Maxi
 Voltage rating **1400** Veff Maxi
 Dielectric withstanding voltage **2500** Veff mini
 Insulation resistance **5000** MΩ mini

Operating temperature **-55/+155** ° C
 Hermetic seal **10-6** Atm.cm3/s
 Panel leakage **IP67**

OTHER CHARACTERISTICS

Assembly instruction

Others :
-

MECHANICAL CHARACTERISTICS

Center contact retention
 Axial force – Mating end **27** N mini
 Axial force – Opposite end **27** N mini
 Torque **NA** N.cm mini

Recommended torque
 Mating **NA** N.cm
 Panel nut **500** N.cm

Mating life **500** Cycles mini
 Weight **47,7000** g

Issue : 1426 F

In the effort to improve our products, we reserve the right to make changes judged to be necessary.



DRAFT/PROVISIONARY