



QSFP+ Passive Direct Attach Cable

- NEAR ZERO POWER CONSUMPTION AND NO HEAT GENERATED
- COMPLETE CABLE ASSEMBLY UNIQUELY TERMINATED AT THE FACTORY TO PROVIDE MOST RELIABLE OPERATION
- 100% TESTED FOR SIGNAL INTEGRITY WITH SERIAL NUMBER TRACEABILITY



Volex's QSFP+ passive copper Direct Attach Cable is a cost-effective alternative to optical modules for short reach high speed interconnects. The cable assembly consists of four lanes operating at data rate up to 14.0625Gb/s. Each assembly meets 40G Ethernet and InfiniBand Fourteen Data Rate (FDR) specifications, providing greater port bandwidth and density at reduced cost for high speed networks.

Volex's QSFP+ 40G/FDR cable assembly combines twinaxial shielded cable with robust die cast housing and actuating pull latch. The overmold technique used in fabrication for these cables provides additional strain relief and minimizes conductor pistoning. This cable assembly product is designed to meet the stringent data center requirements with unparalleled performance and durability.

Features and Specifications

Product Type	QSFP+ to QSFP+ passive copper Direct Attach Cable
Conductor Treatment	Laser stripped conductors
Cable Type	High speed twinax cable, 8-pair differential, 100 +/-5 ohms
Cable Color	Black
Cable Jacket	PVC
Packaging	PE bag
Power Supply Voltage	3.3V
Temperature Range	0 - 70°C
Retention Force	Minimum 125N per SFF-8661
Insertion Force	Maximum 60N per SFF-8661
EEPROM	Each connector module contains an EEPROM to provide product information to the host system
Cable Termination	100% factory tested including comprehensive signal integrity verification and serial number traceability using advanced Manufacturing Execution Systems

Volex reserves the right to change specifications and availability without prior notice.



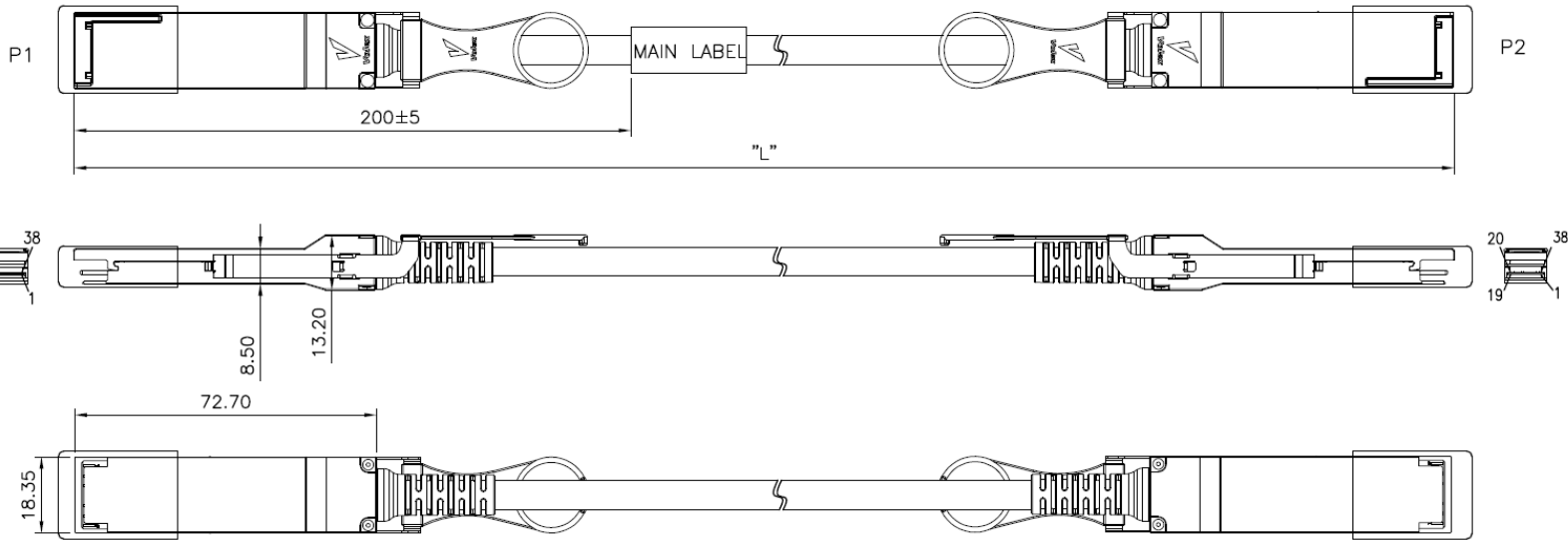
Applications

- Switches, Servers, Routers, Storage Arrays
- Networking Equipment
- Data Centers
- Telecommunication Central Offices
- Test and Measurement Equipment

Standards Compliance

- IEEE P802.3ba
- InfiniBand FDR
- SFF-8685, SFF-8661, SFF-8679, SFF-8636
- EIA-364
- UL 94, 1581, VW1, File No. E510564
- RoHS

Mechanical Drawing



Volex P/N	Cable Length (m)	Cable Gauge (AWG)	Cable OD (mm)
Q1Q10V30VP100S	1.00	30	6.6
Q1Q10V30VP150S	1.50	30	6.6
Q1Q10V30VP200S	2.00	30	6.6
Q1Q10V30VP250S	2.50	30	6.6
Q1Q10V30VP300S	3.00	30	6.6
Q1Q10V30VP350S	3.50	30	6.6
Q1Q10V28VP400S	4.00	28	7.5
Q1Q10V28VP450S	4.50	28	7.5
Q1Q10V26VP500S	5.00	26	8.8

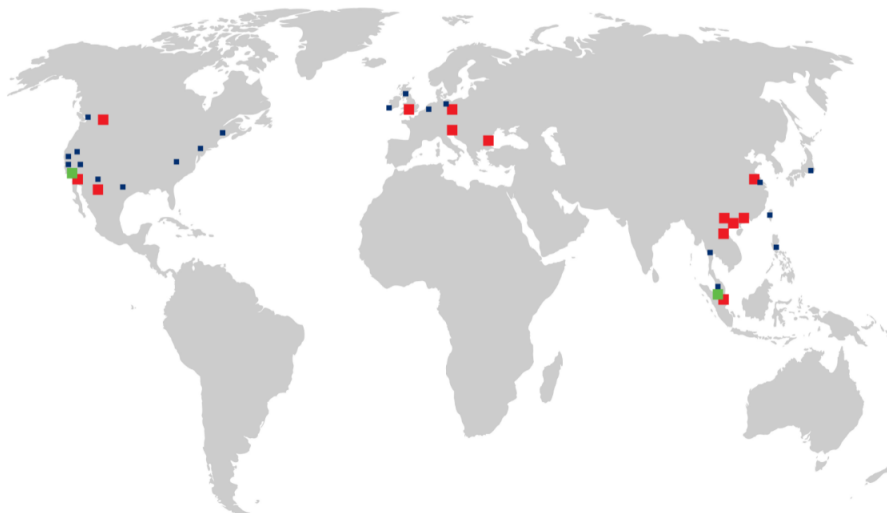
1-5m lengths available with 26-30 AWG conductor sizes to achieve maximum performance.

Options Available

- Low Smoke, Zero Halogen (LSZH) jacket
- Custom colors for pull tab
- Custom EEPROM mapping

Contact us at sales@volex.com for assistance in finding the right solution for your needs.

www.volex.com



Volex Worldwide

- Manufacturing
- Sales Office/Sales Rep
- Distribution Hub

Americas

Volex, Inc.
Tel: +1 501 438 1313
Email:
Americas.sales@volex.com

Greater China

Volex Interconnect Systems (Suzhou)
Tel: +86 512 8225 3300

Fax: +86 512 6275 6670
Email: GreaterChina.sales@volex.com

EMEA

Volex Europe, Ltd.
Tel: +44 7768 924844
Email:
EMEA.sales@volex.com

Asia Pacific

Volex, Inc. - Singapore
Tel: +65 6904 1545
Email:
AsiaPacific.sales@volex.com