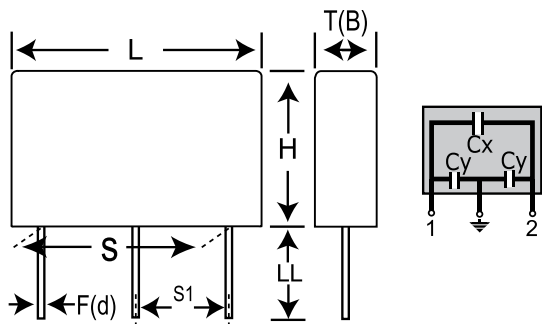


KEMET Part Number: PZB300MC23R06
(P300PL154M275CC472)



PZB300/P300, Film, Metallized Paper, Safety, 0.15 uF, 20%, 100°C, Lead Spacing = 20mm



Note: '()' correspond to the letters used in the product bulletin

Dimensions	
L	24mm MAX
H	16mm MAX
T	12.5mm MAX
S	20mm +/-0.5mm
S1	10mm NOM
LL	6mm -1mm
F	0.8mm +/-0.05mm

Packaging Specifications	
Packaging:	Bulk, Bag
Packaging Quantity:	1000

General Information	
Series:	PZB300/P300
Dielectric:	Metallized Paper
Style:	Radial
Features:	EMI Safety
RoHS:	Yes
Lead:	3 Leads
Safety Class:	Delta EMI X2+Y2+Y2
Qualifications:	ENEC, UL, cUL
AEC-Q200:	No
THB Performance:	No
Construction:	Molded
Miscellaneous:	y2_cap_value= 0.0047 uF.

Specifications	
Capacitance:	0.15 uF
Capacitance Tolerance:	20%
Voltage AC:	275 VAC
Temperature Range:	-40/+100°C
Rated Temperature:	100°C
Dissipation Factor:	1.3% 1kHz
Insulation Resistance:	12 GOhms
Max dV/dt:	600 V/us

Statements of suitability for certain applications are based on our knowledge of typical operating conditions for such applications, but are not intended to constitute - and we specifically disclaim - any warranty concerning suitability for a specific customer application or use. This Information is intended for use only by customers who have the requisite experience and capability to determine the correct products for their application. Any technical advice inferred from this Information or otherwise provided by us with reference to the use of our products is given gratis, and we assume no obligation or liability for the advice given or results obtained.

