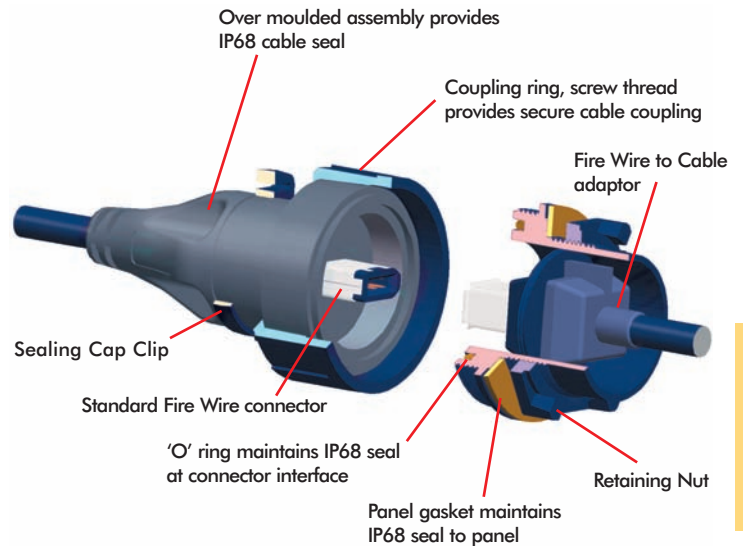


# FireWire Buccaneer®

IP68



BUCCANEER DATA

- IP68 rated
- IEEE1394a performance to 400Mbps
- 4 & 6 pole interfaces
- Shielded system
- Overmoulded cables
- Screw coupling
- Panel Adaptor leads to PCB
- ▶ Dust and waterproof sealing when mated
- ▶ 'Real Time' performance
- ▶ Industry standard connection
- ▶ High noise immunity and EMI protection
- ▶ Secure tamperproof connection
- ▶ Secure, proven locking system
- ▶ For use on PCBs

Fire Wire Buccaneer®

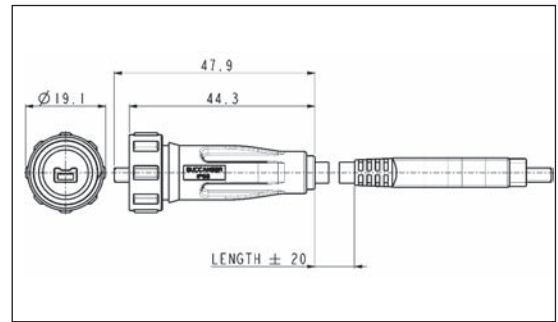
SEALED FIRE WIRE CABLES - SINGLE ENDED



PX0417

Single ended sealed cable assembly

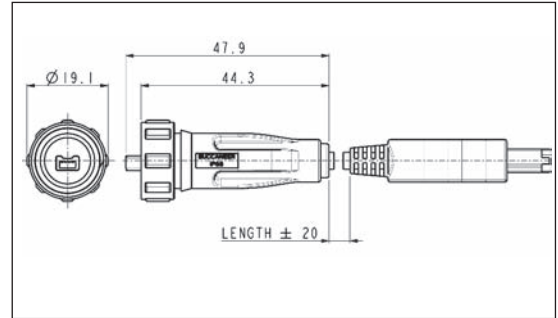
- IP68 4 pole sealed connector to standard 4 pole FireWire
- Overmoulded construction
- Available in 2m and 4m lengths (other lengths and sealed double ended cables available on request)



PX0418

Single ended sealed cable assembly

- IP68 4 pole sealed connector to standard 6 pole FireWire
- Overmoulded construction
- Available in 2m and 4m lengths (other lengths and sealed double ended cables available on request)



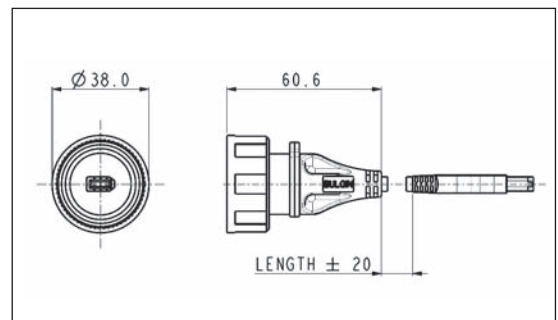
Part No.	Length	Description
PX0417/2M00	2m	IP68 4 pole to standard 4 pole FireWire
PX0417/4M00	4m	IP68 4 pole to standard 4 pole FireWire
PX0418/2M00	2m	IP68 4 pole to standard 6 pole FireWire
PX0418/4M00	4m	IP68 4 pole to standard 6 pole FireWire



PX0846

Single ended sealed cable assembly

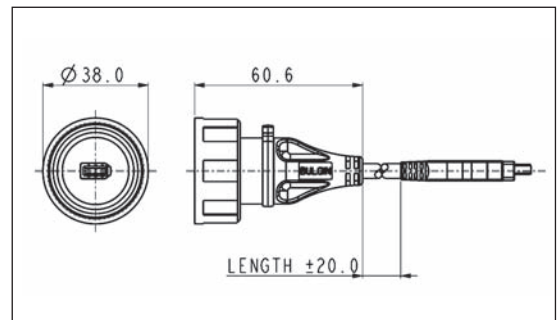
- IP68 6 pole sealed connector to standard 6 pole FireWire
- Overmoulded construction
- Available in 2m and 4m lengths (other lengths and sealed double ended cables available on request)



PX0851

Single ended sealed cable assembly

- IP68 6 pole sealed connector to standard 4 pole FireWire
- Overmoulded construction
- Available in 2m and 4m lengths (other lengths and sealed double ended cables available on request)



Part No.	Length	Description
PX0846/2M00	2m	IP68 6 pole to standard 6 pole FireWire
PX0846/4M00	4m	IP68 6 pole to standard 6 pole FireWire
PX0851/2M00	2m	IP68 6 pole to standard 4 pole FireWire
PX0851/4M00	4m	IP68 6 pole to standard 4 pole FireWire

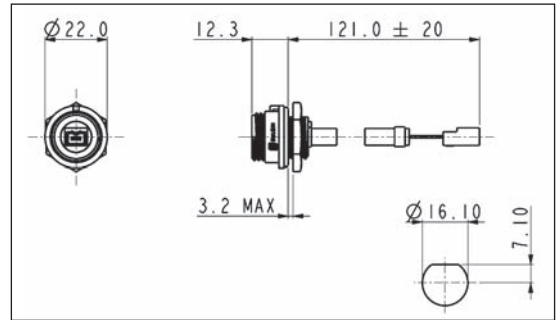
Fire Wire Buccaneer®

PANEL MOUNTING CONNECTOR



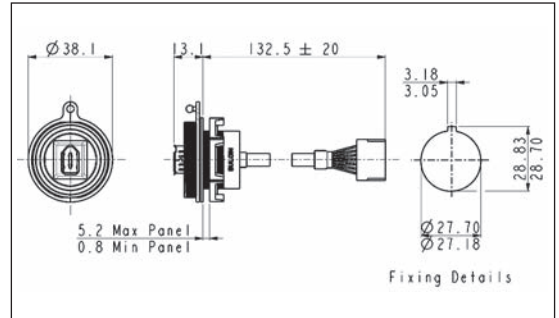
PX0419

- Front of panel mounted 4 pole IP68 FireWire
- Cable to rear with 5 way crimp for use with PCB header
- Mates with PX0417 & PX0418



PX0847

- Front of panel mounted 6 pole IP68 FireWire
- Cable to rear with 7 way crimp for use with PCB header
- Mates with PX0846 & PX0851



Part No.	Description
PX0419	IP68 4 pole, panel mounted, with 5 way crimp at rear
PX0847	IP68 6 pole, panel mounted, with 7 way crimp at rear

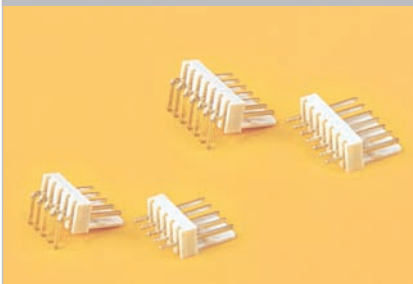
SEALING CAPS



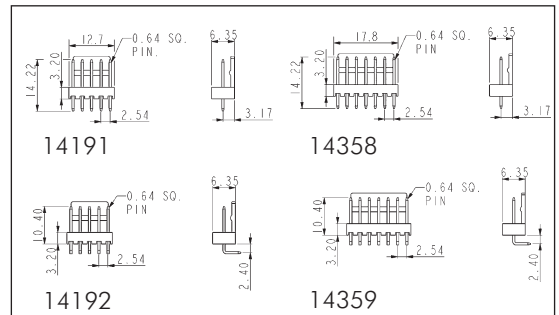
- Sealing caps to maintain IP rating when connectors are not in use
- Chassis mounting & cable mounting versions

Part No.	Description
PX0485/BK	Sealing cap for 4 pole cable connectors (PX0417, PX0418)
PX0480/BK	Sealing cap for 4 pole chassis connector (PX0419)
PX0835	Sealing cap for 6 pole cable connectors (PX0846, PX0851)
PX0733	Sealing cap for 6 pole cable connector (PX0847)

ACCESSORIES



- PCB headers
- 2.54mm pitch, horizontal or vertical mounting
- 5 way headers for use with PX0419
- 7 way headers for use with PX0847



Part No.	Description
14191	5 way PCB header straight
14192	5 way PCB header right angle
14358	7 way PCB header straight
14359	7 way PCB header right angle

## Fire Wire Buccaneer®

### SPECIFICATION

#### Mechanical:

Sealing	IP68, EN60529	IP68, EN60529
Operating Temperature:	0°C to +70°C	0°C to +70°C

#### Electrical:

No. Poles:	4	6
Current Rating:	1A	1A
Voltage Rating:	30V a.c.	30V a.c.
Contact plating:	30 micro inch gold	30 micro inch gold
Operating Temperature Range:	0°C to +70°C	0°C to +70°C
Performance:	IEEE1394a	IEEE1394a

#### Materials - connectors:

Poles:	4	6
Connectors		
Shell material:	Steel	Steel
Shell plating:	Nickel	Nickel
Insulation moulding:	Glass filled PBT	Glass filled PBT
Flammability rating:	UL94V-0 rated	UL94V-0 rated
Contact material:	Copper alloy	Copper alloy
Contact plating:	30 micro inch gold	30 micro inch gold
Mating cycles:	1,000	1,000
Cable Connectors		
Overmould material:	PVC (black)	PVC (black)
Flammability rating:	UL94V-0 rated	UL94V-0 rated
Panel Connectors		
Body Mouldings:	Polyamide	Polyamide
Flammability rating:	UL94V-0 rated	UL94V-0 rated
UV Resistance	to EN50021:1999	to EN50021:1999
O Rings	Nitrile	Nitrile
<b>RoHS</b>	Compliant	Compliant

#### Materials - cables:

Poles:	4	6
Cable jacket:	PVC (black)	PVC (black)
Flammability rating:	UL94V-0 rated	UL94V-0 rated
<b>RoHS</b>	Compliant	Compliant

Product type	Length	Dia.	Conductor
--------------	--------	------	-----------

4 pole chassis	100mm	5.0mm	30AWG
6 pole chassis	100mm	5.8mm	28AWG
4 pole flex	2m & 4m	5.5mm	28AWG
6 pole flex	2m & 4m	5.8mm	28AWG