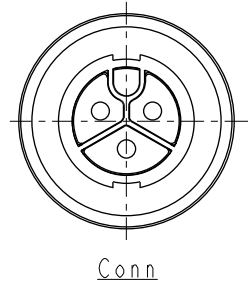


THIS DOCUMENT IS SUBJECT TO CHANGE WITHOUT NOTICE. IT IS CONFIDENTIAL AND A PROPERTY OF AMPHENOL LTW. DISCLOSURE TO THIRD PARTY HAS TO BE AUTHORIZED BY AMPHENOL LTW.

REV.	ECN NO.	DATE	SIGN	DESCRIPTION
A		2011/11/14	Tao-Cheng	Change Rev.04 to Rev.A
B	LEN12A0069~72	2012/10/18	Tao-Cheng	Update SR
C	LEN1770078~81	2017/06/27	Ruru	Change Logo

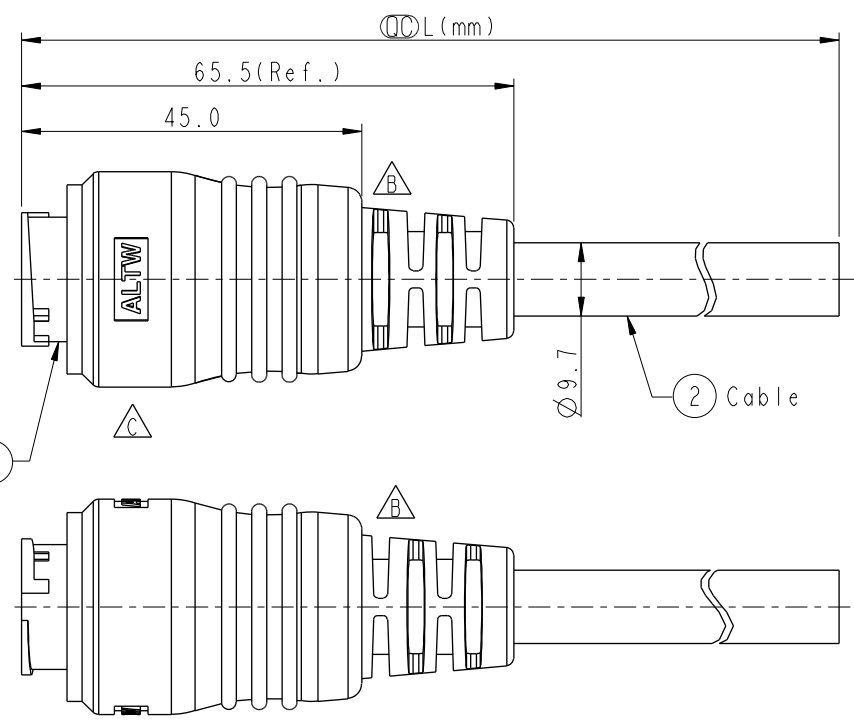
ALTW  
CONFIDENTIAL  
2017-06-27  
R&D DEPT.

ALTW  
DCC. DEPT.  
CONFIDENTIAL  
2017.07.06  
ISSUED



Conn

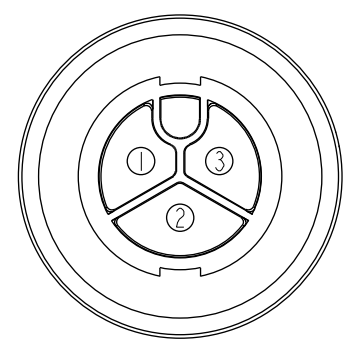
PWC-03AMMM-LL7000



PWC-03AMMM-LL7BXX

XX: 01~99Meters  
01: 01Meter  
02: 02Meters  
.....  
99: 99Meters  
Cable Length(L): 01~99Meters

- Note:
- \*  $\varnothing$  Important Dimension To Check.
  - \* Waterproof Rate: IP67(Mated)
  - \* Connector: Nylon+GF, Black
  - \* Male Pin: Copper Alloy, Gold Flash
  - \* Cable: TC-ER, 14AWG\*3C  
PVC Jacket, OD=9.7mm, Black
  - \* Cable Length Tolerance: 01M: ±40mm  
02M~05M: ±60mm  
06M~10M: ±100mm  
11M~30M: ±200mm  
31M~99M: ±500mm



Pin Assignments  
Front View

3	White	白
2	Green	綠
1	Black	黑
Housing	Wire Color	
Pin Out		

UNIT:mm		
TOLERANCE		
.X	±0.25	
.XX	±0.1	
.XXX	±0.05	
ANGLES	±1°	

TITLE Power Molding M Conn. M Pin 20Amps			
SCALE	1:1	SIZE	A4
SHEET	1	OF	1
REV.	C	WC-REV.	A.3
Ⓞ: Inspection item			

**Amphenol LTW**  
安費諾亮泰企業股份有限公司

ITEM NO	DRAWN BY	DATE
	Ruru	2017-06-27
DWG NO	CHECKED BY	DATE
PWC-03AMMM-LL7BXX	Rita	2017-06-27
CUSTOMER	APPROVED BY	DATE
ALTW	Max	2017-06-27