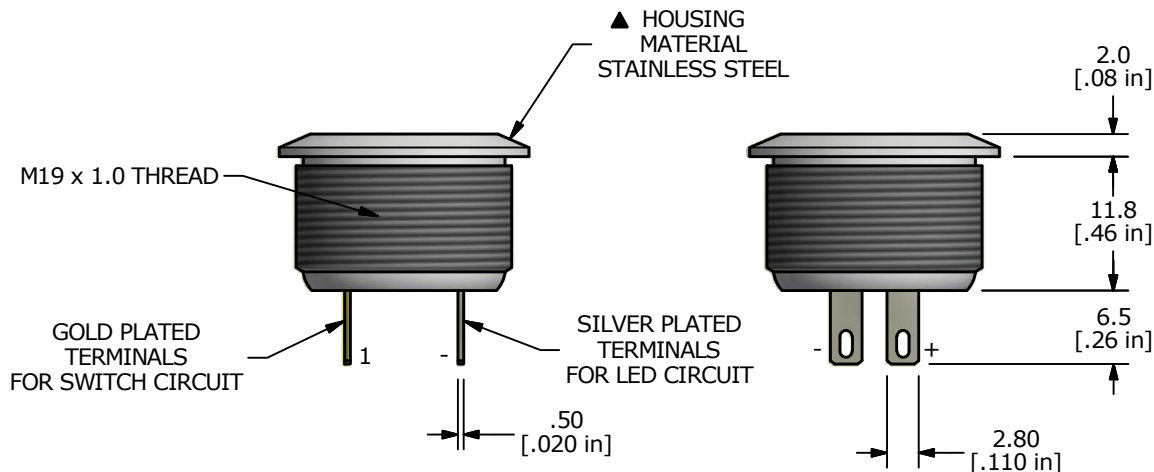
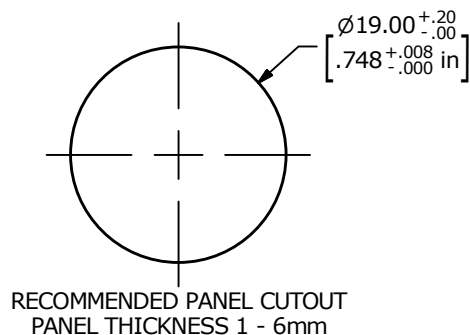
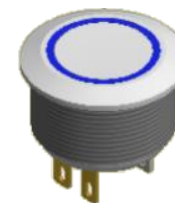
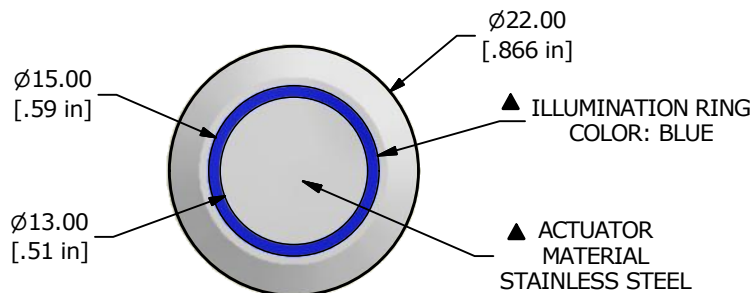
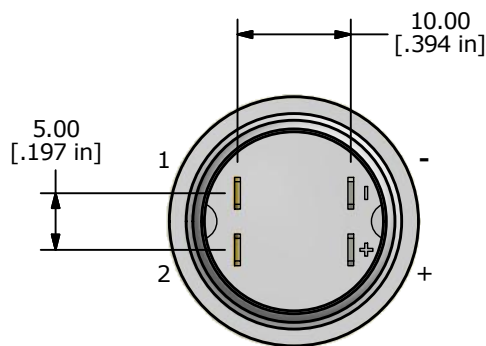


| SWITCH FUNCTION |        |
|-----------------|--------|
| POS. 1          | POS. 2 |
|                 |        |
| OFF             | (ON)   |
| None            | 1-2    |

( ) = MOMENTARY



- NOTE:
1. ALL DIMENSIONS IN MM [INCH]
  2. GENERAL TOLERANCE: X.X = ±0.4  
X.XX = ±0.25
  3. TERMINAL NUMBERS FOR REF ONLY
  4. CONTACT MATERIAL: Silver
  5. RATING: 50mA 24VDC
  6. ELECTRIC LIFE: 500,000 MAKE-AND-BREAK CYCLES AT FULL LOAD.
  7. INSULATION RESISTANCE: 1000 MΩ MIN.
  8. DIELECTRIC STRENGTH: 250 VAC MIN. FOR 1 MINUTE
  9. CONTACT RESISTANCE: 100mΩ MAX.
  10. OPERATING TEMP.: -25°C to +55°C
  11. TRAVEL: 0.5mm
  12. ▲ DENOTES CRITICAL PARAMETER.
  13. INGRESS PROTECTION: IP65
  - ▲ 14. LED VOLTAGE: 12V
  15. HARDWARE SUPPLIED: O-RING AND HEXNUT
  16. 2011/65/EU (ROHS) COMPLIANT



|     |        |  |           |    |
|-----|--------|--|-----------|----|
| B   | 23411  | update terminal length to 6.5 from 6.0 | 6/29/18   | MW |
| A   | 23271  | New Release                            | 3/19/2018 | rc |
| REV | PCR NO | DESCRIPTION                            | DATE      | BY |

|                    |                |       |                     |       |
|--------------------|----------------|-------|---------------------|-------|
| TITLE PVT4FS4SS344 |                |       |                     |       |
| SCALE 1.5:1        | DATE 3/19/2018 | DR rc | DWG 52-PVT4FS4SS344 | REV B |

THE INFORMATION CONTAINED IN THIS DOCUMENT IS PROPRIETARY TO E-SWITCH AND IS NOT TO BE COPIED OR TRANSFERRED