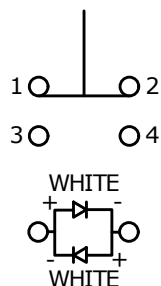
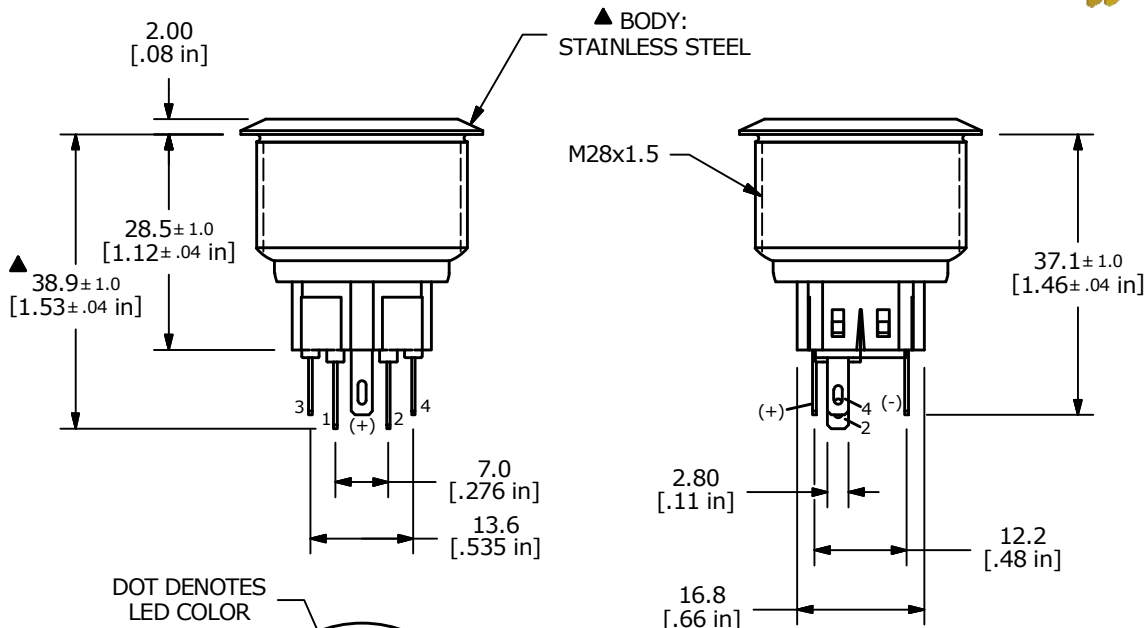


▲ SWITCH FUNCTION

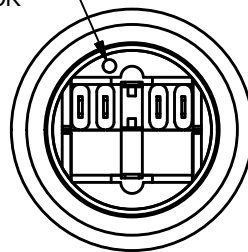
POS. 1	POS. 2
1-2	3-4



▲ SPDT ON-(OFF)/OFF-(ON)
CONTACT CONFIGURATION
() DENOTES MOMENTARY FUNCTION



DOT DENOTES LED COLOR



NOTE:

1. ALL DIMENSIONS IN MM [INCH]
2. GENERAL TOLERANCE: X.X = ± 0.4
X.XX = ± 0.25
3. TERMINAL NOS. FOR REF. ONLY
4. RATING: 2A @ 48VDC
5. CONTACT RESISTANCE: 50mΩ MAX. @ 1A 12VDC
6. INSULATION RESISTANCE: 1,000MΩ @ 500VDC
7. DIELECTRIC STRENGTH: 2,000VAC MIN. FOR 1 MINUTE
8. ELECTRICAL LIFE: 50,000 CYCLES
9. OPERATING TEMPERATURE: -20°C TO 55°C
10. INGRESS PROTECTION: IP65
11. SUPPLIED HARDWARE: O-RING AND HEXNUT
12. ▲ DENOTES CRITICAL PARAMETER
13. 2011/65/EU (ROHS) COMPLIANT
- ▲ 14. ILLUMINATION COLOR: WHITE (FORWARD), WHITE (REVERSE)
- ▲ 15. ILLUMINATION VOLTAGE: 24V



A	22845	NEW RELEASE	5/11/17	MJR
REV	PCR NO	DESCRIPTION	DATE	BY

TITLE PV9F2Y0SS-305				
SCALE 1:1	DATE 5/11/2017	DR MJR	DWG 52-PV9F2Y0SS305	REV A

THE INFORMATION CONTAINED IN THIS DOCUMENT IS PROPRIETARY TO E-SWITCH AND IS NOT TO BE COPIED OR TRANSFERRED