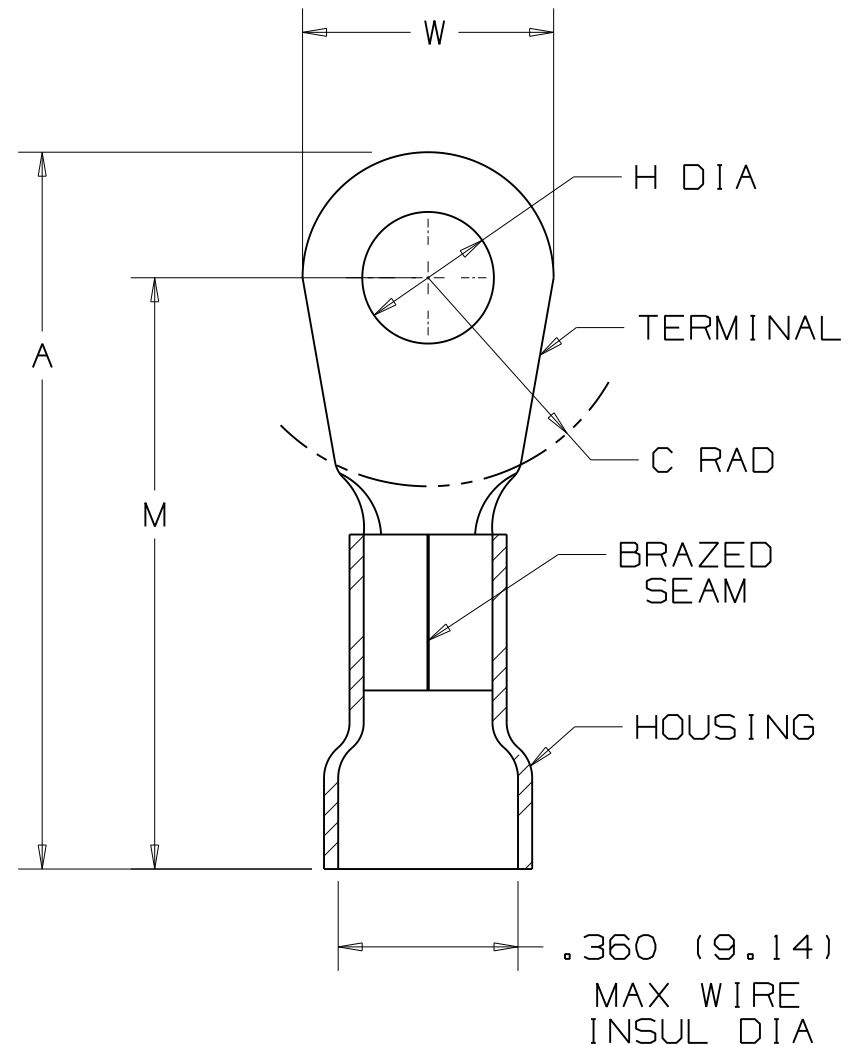


THIS COPY IS PROVIDED ON A RESTRICTED BASIS AND IS NOT TO BE USED IN ANY WAY DETRIMENTAL TO THE INTERESTS OF PANDUIT CORP.

PANDUIT PART NUMBER		STUD SIZE	DIMENSIONS in.				
PREFIX	PK		A $\pm .020$	W $\pm .010$	C $\pm .015$	M $\pm .020$	H $\pm .010$
*PV8-8RNX	-OY -TY	#8	1.20 (30.5)	.36 (9.14)	.43 (10.92)	1.29 (32.77)	.17 (4.32)
PV8-8RX	-OY -TY	#8	1.50 (38.1)	.42 (10.67)	.43 (10.92)	1.29 (32.77)	.17 (4.32)
PV8-10RX	-OY -TY	#10	1.52 (38.61)	.47 (11.94)	.43 (10.92)	1.29 (32.77)	.20 (5.08)
PV8-14RX	-OY -TY	1/4"	1.52 (38.61)	.47 (11.94)	.43 (10.92)	1.29 (32.77)	.27 (6.86)
PV8-56RX	-OY -TY	5/16"	1.62 (41.15)	.59 (14.99)	.51 (12.95)	1.33 (33.78)	.33 (8.38)
PV8-38RX	-OY -TY	3/8"	1.62 (41.15)	.59 (14.99)	.51 (12.95)	1.33 (33.78)	.39 (9.91)
PV8-12RX	-OY -TY	1/2"	1.74 (44.2)	.82 (20.83)	.51 (12.95)	1.33 (33.78)	.52 (13.21)

NOTES:

- UL LISTED FOR: (EXCEPT PV8-8RNX)
 - 600V MAX VOLTAGE RATING
 - 221° F (105° C) MAX TEMP RATING
 - #8 AWG STRANDED COPPER WIRE
- PACKAGE QTY: STD. PKG. - Q = 25
BULK PKG. - TY = 200
- MATERIAL:
 - STAMPING - .040" (1.02) THK COPPER, TIN PLATED
 - HOUSING - VINYL, RED
- DIMENSIONS IN BRACKETS ARE IN MILLIMETERS
- INSTALLATION TOOL: CT-720
- WIRE STRIP LENGTH: 3/8" $\pm .032$ (9.5 $\pm .8$)



LISTED
587H
E52164

* PV8-8RNX IS NOT UL LISTED

REV	DATE	BY	CHK	DESCRIPTION	ECN #	CUST	PM
07	3-10	SB		Corrected UL number to reflect the proper file			

A41223

PANDUIT CORP.

TINLEY PARK, ILLINOIS

#8 BARREL VINYL INSULATED RING TONGUE
.360 (9.14) MAX. WIRE INSUL. DIAMETER

DRAWN BY: DAW CHK'D: WJB SCALE: NONE DRAWING NO.: A41223