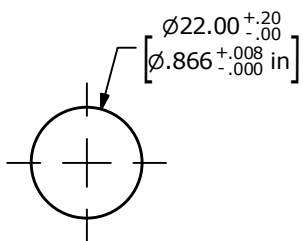


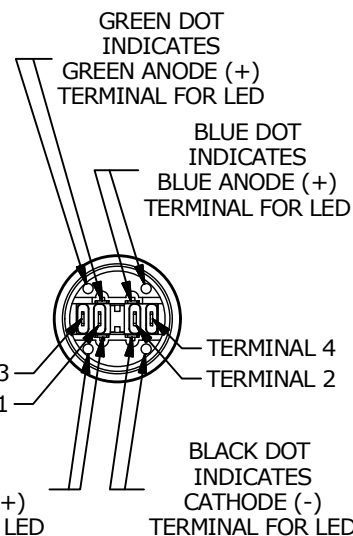
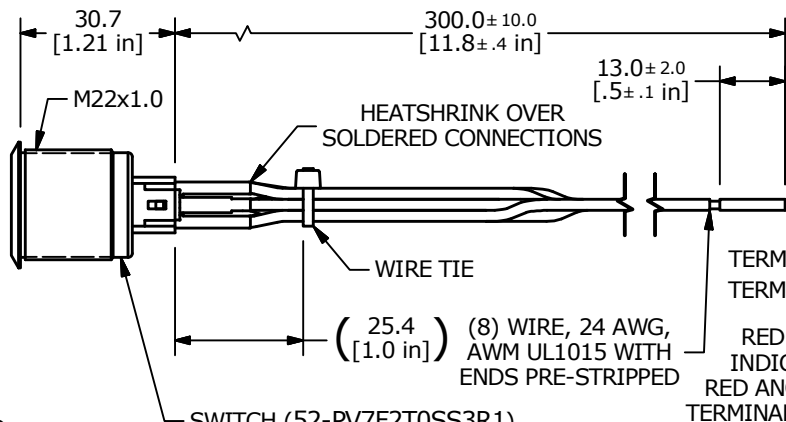
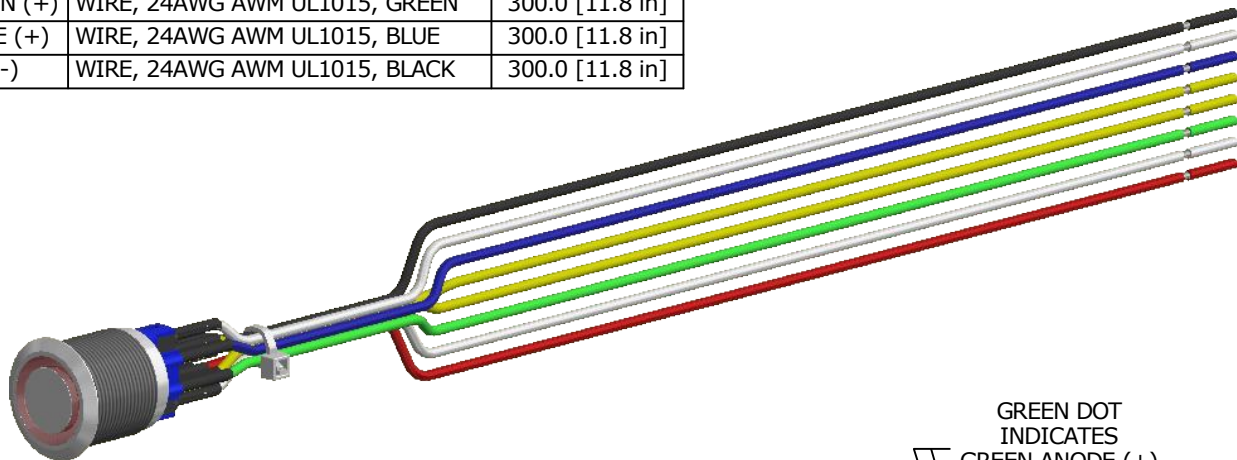
SCHEMATIC

ON - OFF / OFF - ON - SPDT ILLUMINATED



RECOMMENDED PANEL CUTOUT
MAX. PANEL THICKNESS 12.0 [.47 in]

SWITCH	WIRE	LENGTH
SW1-1	WIRE, 24AWG AWM UL1015, WHITE	300.0 [11.8 in]
SW1-2	WIRE, 24AWG AWM UL1015, WHITE	300.0 [11.8 in]
SW1-3	WIRE, 24AWG AWM UL1015, YELLOW	300.0 [11.8 in]
SW1-4	WIRE, 24AWG AWM UL1015, YELLOW	300.0 [11.8 in]
SW1-RED (+)	WIRE, 24AWG AWM UL1015, RED	300.0 [11.8 in]
SW1-GREEN (+)	WIRE, 24AWG AWM UL1015, GREEN	300.0 [11.8 in]
SW1-BLUE (+)	WIRE, 24AWG AWM UL1015, BLUE	300.0 [11.8 in]
SW1- (-)	WIRE, 24AWG AWM UL1015, BLACK	300.0 [11.8 in]



NOTES:

1. DIMENSIONS IN MM [INCH]
2. ALL MATERIAL SHALL BE ROHS COMPLIANT
3. TERMINAL NUMBERS FOR REF. ONLY
4. CONTACT MATERIAL: SILVER
5. RATING: 2A 48VDC
6. CONTACT RESISTANCE: 50mΩ MAX. @ 1A 12VDC
7. INGRESS PROTECTION: IP65
8. ACTUATION FORCE: 4N
9. OPERATING TEMP.: -20°C to 55°C
10. INSULATION RESISTANCE: 1,000 MΩ MIN.
11. DIELECTRIC STRENGTH: 2,000 VAC MIN. FOR 1 MINUTE
12. ELECTRIC LIFE: 50,000 MAKE-AND-BREAK CYCLES AT FULL LOAD.
13. ▲ DENOTES CRITICAL PARAMETER.
- ▲ 14. ILLUMINATION VOLTAGE: RED - 1.8V, GREEN - 2.8V, BLUE - 2.8V
- ▲ 15. SUPPLIED HARDWARE: O-RING AND HEXNUT
16. USE PART NUMBERS DESIGNATED OR ENGINEERING APPROVED EQUIVALENTS.

SWITCH (52-PV7F2T0SS3R1)
BODY - STAINLESS STEEL
ACTUATOR - STAINLESS STEEL
RING ILLUMINATION COLOR - RED/GREEN/BLUE

BOTTOM VIEW
SHOWN WITHOUT WIRING



E	23994	UPDATED NOTES	8/13/19	MJR
D	23869	UPDATED HEATSHRINK DIM. TO 15.0	5/1/19	MJR
REV	PCR NO	DESCRIPTION	DATE	BY

E-SWITCH®				
TITLE PV7FWT0SS-3R1				
SCALE	DATE	DR	DWG	REV
2:3	1/18/2019	MJR	52-PV7FWT0SS3R1	E