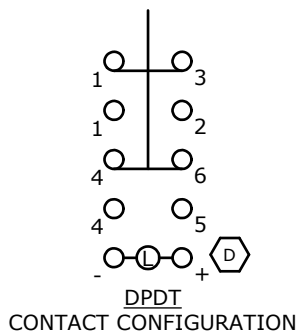
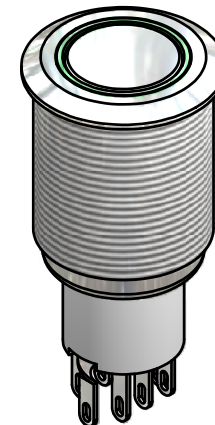
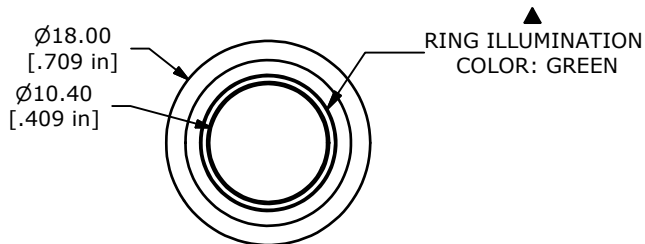
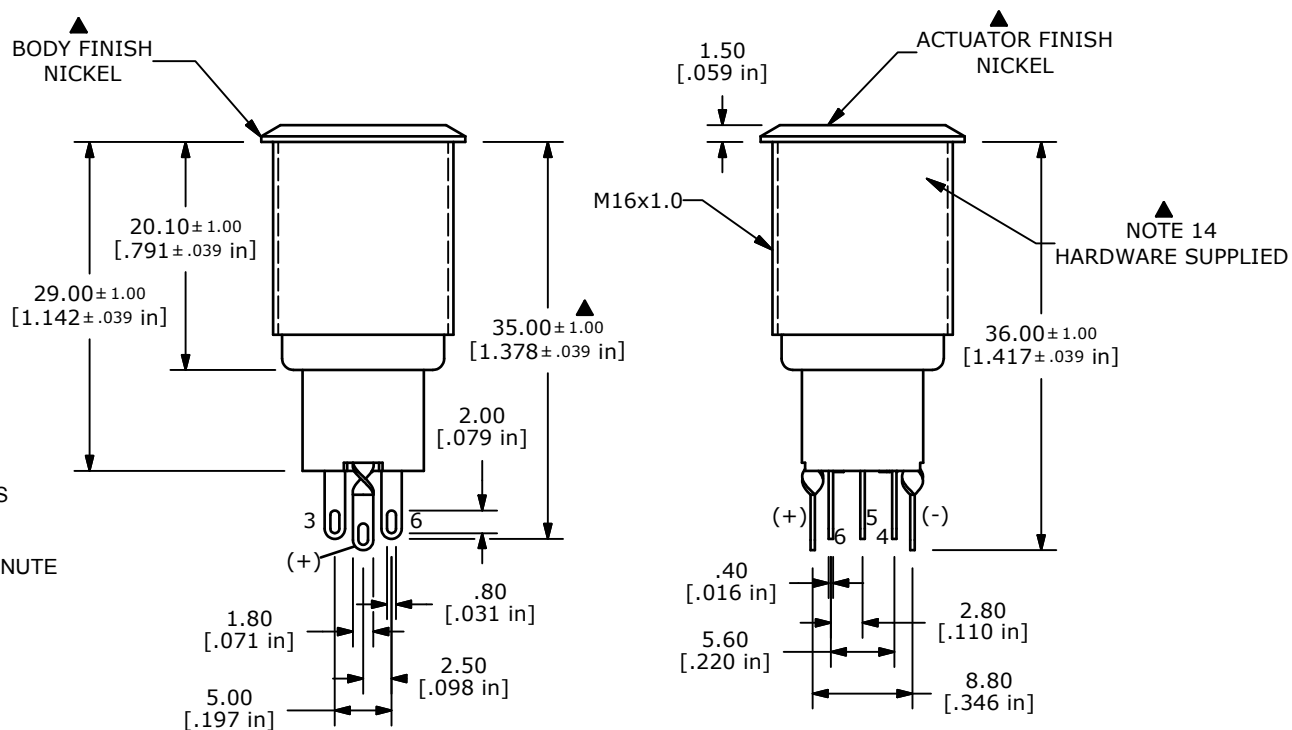


SWITCH FUNCTION	
POS. 1	POS. 2
ON	(ON)
1-3, 4-6	1-2, 4-5

(ON) = MOMENTARY



- NOTE:
1. ALL DIMENSIONS IN MM [INCH]
 2. GENERAL TOLERANCE: X.X=±0.4
X.XX=±0.25
 3. TERMINAL NUMBERS FOR REF ONLY
 - ▲ 4. CONTACT MATERIAL: SILVER
 5. RATING: 2A 48VDC
 6. ELECTRIC LIFE: 50,000 MAKE-AND-BREAK CYCLES AT FULL LOAD.
 7. INSULATION RESISTANCE: 1,000 MΩ MIN.
 8. DIELECTRIC STRENGTH: 2,000 VAC MIN. FOR 1 MINUTE
 9. CONTACT RESISTANCE: 50mΩ MAX. @ 1A 12VDC
 10. OPERATING TEMP.: -20°C to 55°C
 11. ▲ DENOTES CRITICAL PARAMETER.
 12. LAMP VOLTAGE: 12V
 - ▲ 13. ILLUMINATION COLOR: GREEN
 - ▲ 14. HARDWARE SUPPLIED: O-RING AND HEXNUT
 - ▲ 15. INGRESS RATING: IP40
 16. 2002/95/EC (ROHS) COMPLIANT



D	20452	CORRECT CONTACT CONFIGURATION	02/02/12	BMA
C	20423	UPDATE AND CONVERT	01/25/12	BMA
REV	PCR NO	DESCRIPTION	DATE	BY

TITLE PV3F2H0NN-334				
SCALE	DATE	DR	DWG	REV
1.5:1	1/25/2012	BMA	52-PV3F2H0NN334	D

THE INFORMATION CONTAINED IN THIS DOCUMENT IS PROPRIETARY TO E-SWITCH AND IS NOT TO BE COPIED OR TRANSFERRED