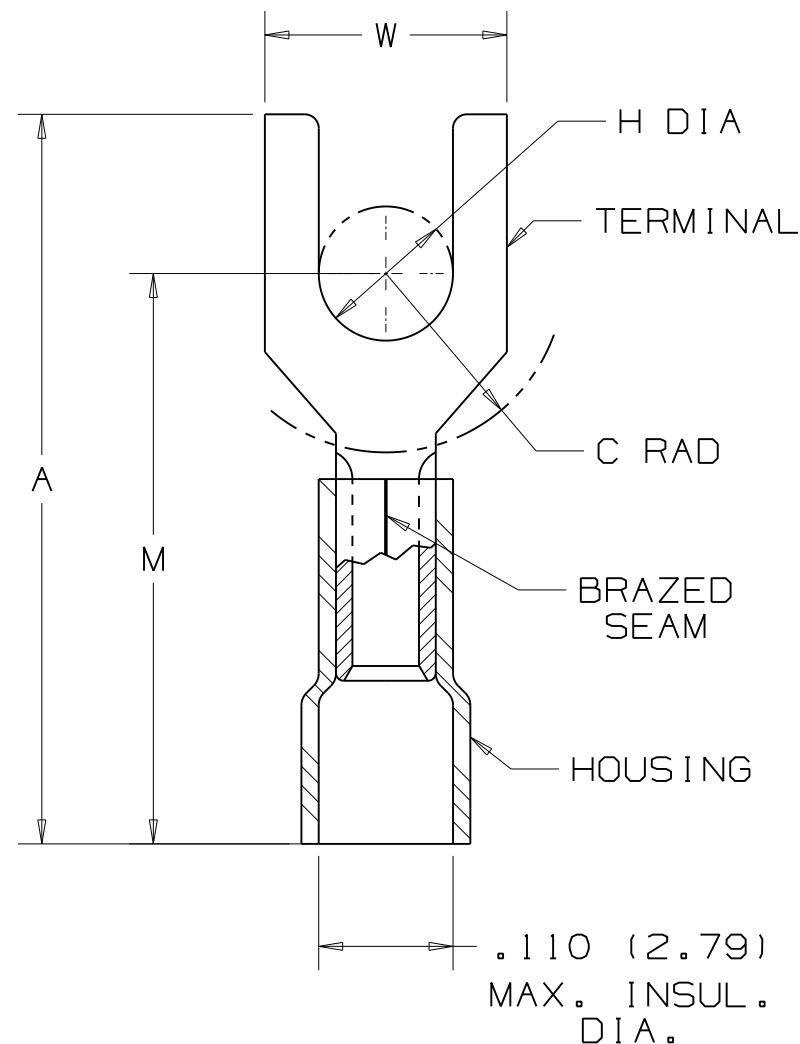



PANDUIT PART NUMBER	STUD SIZE	DIMENSIONS in.				
		A ±.030	W ±.010	C ±.015	M ±.020	H ±.010
PV22-4F	#4	.67 (17.02)	.20 (5.08)	.21 (5.33)	.56 (14.22)	.12 (3.05)
PV22-6F	#6	.76 (19.30)	.25 (6.35)	.26 (6.60)	.62 (15.75)	.14 (3.56)

NOTES:

- RECOMMENDED FOR:
 - A. 600V. MAX. VOLTAGE RATING
 - B. #26-22 AWG SOLID OR STRANDED COPPER WIRE
 - C. 221° F (105° C) MAX. TEMP. RATING
- MATERIAL:
 - A. STAMPING - .020 (0.51) THK COPPER, TIN PLATED
 - B. HOUSING - VINYL, YELLOW
- PACKAGE QTY: STD. PKG. -CY=100
BULK PKG. -MY=1000
- DIMENSIONS IN BRACKETS ARE IN MILLIMETERS
- INSTALLATION TOOLS: CT-520, CT-1525

Panduit part numbers shown on this drawing meet the material requirements of RoHS (European Directive 2002/95/EC on the Restriction of Hazardous Substances) as proposed by the Technical Adaptation Committee.



08	7/09	BCT		ADDED 'Y' ROHS COMPLIANT SUFFIX TO PKG CODES				 PANDUIT CORP.	TINLEY PARK, ILLINOIS		
07	1/01	KMD		CAD FILE SPEC. WAS N41232AA_PCD_06							
06	5/99	JKD		ADDED CT-1525 TOOL	07632			#26-22 BARREL VINYL INSULATED FORK, .110 (2.79) MAX. WIRE INSUL. DIA.			
05	10/94	MS	RLS	UPDATE NOTES AND DIMENSIONS	02510	LCA	TFKE				
REV	DATE	BY	CHK	DESCRIPTION	ECN	CUST	PM	DRAWN BY DAW	CHK'D CH	SCALE NONE	DRAWING NO. A41232