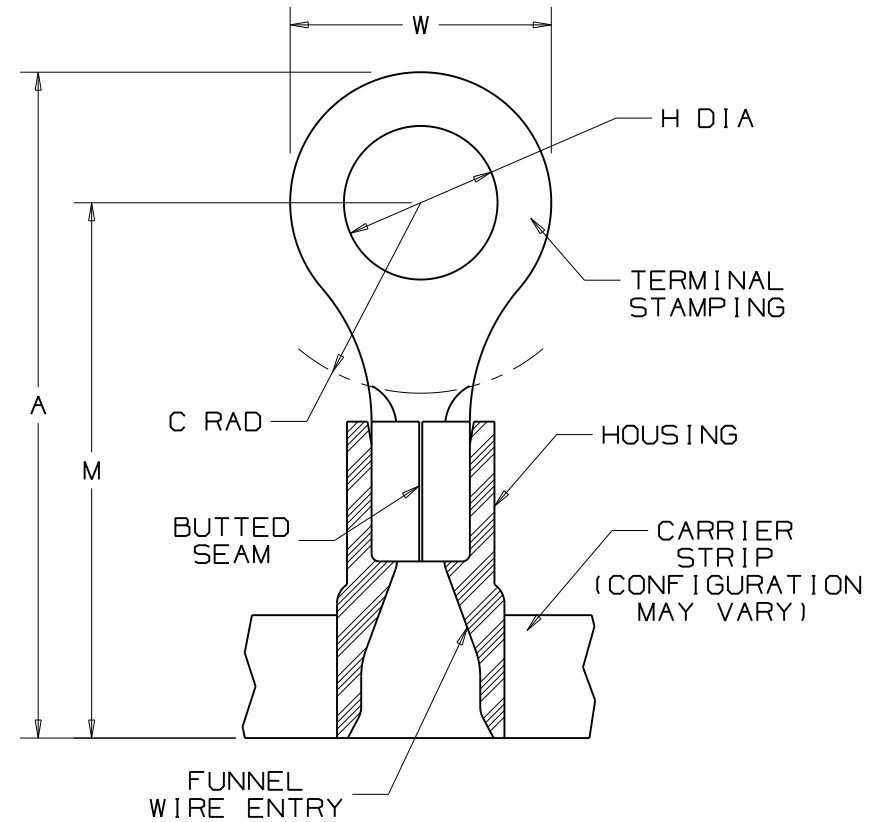


PANDUIT PART NUMBER	STUD SIZE	DIMENSIONS in.				
		A <sup>±.03</sup> <sub>(.8)</sub>	W <sup>±.01</sup> <sub>(.3)</sub>	C <sup>±.015</sup> <sub>(.4)</sub>	M <sup>±.03</sup> <sub>(.8)</sub>	H <sup>±.01</sup> <sub>(.3)</sub>
PV18-4RNB-3K	#4	.74 (18.8)	.21 (5.3)	.19 (4.8)	.63 (16.0)	.12 (3.1)
PV18-4RB-3K	#4	.78 (19.8)	.25 (6.4)	.20 (5.1)	.65 (16.5)	.12 (3.1)
PV18-6RNB-3K	#6	.75 (19.1)	.23 (5.8)	.19 (4.8)	.63 (16.0)	.15 (3.8)
PV18-6RB-3K	#6	.78 (19.8)	.25 (6.4)	.20 (5.1)	.65 (16.5)	.15 (3.8)
PV18-8RB-3K	#8	.86 (21.8)	.31 (7.9)	.25 (6.4)	.70 (17.8)	.17 (4.3)
PV18-10RB-3K	#10	.86 (21.8)	.31 (7.9)	.25 (6.4)	.70 (17.8)	.20 (5.1)
PV18-14RB-3K	1/4"	1.06 (26.9)	.45 (11.4)	.38 (9.6)	.83 (21.1)	.27 (6.9)
PV18-56RB-2K	5/16"	1.06 (26.9)	.46 (11.68)	.38 (9.6)	.83 (21.1)	.33 (8.38)
PV18-38RB-2K	3/8"	1.15 (29.2)	.53 (13.46)	.43 (10.9)	.88 (22.4)	.39 (9.9)

NOTES:

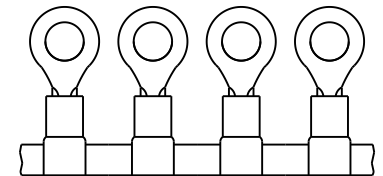
- USED FOR:
  - A. 600V MAX VOLTAGE RATING
  - B. 221°F (105°C) MAX TEMP RATING
  - C. 22-18 AWG (.5-1.0mm<sup>2</sup>) SOLID OR STRANDED COPPER WIRE
- INSTALLATION TOOLS:
  - A. PRESS - CP-871
  - B. APPLICATORS - CA9, CA-800EZ
  - C. DIE INSERTS for #4-1/4 stud - CD9-1A, CD-800-1
  - D. DIE INSERTS for 5/16, 3/8 Stud - CD9-1B, CD-800-1
- WIRE STRIP LENGTH: 1/4 <sup>+1/32</sup> (6.4 <sup>+.8</sup>)
- MAX WIRE INSULATION DIA: .150 (3.81)
- MATERIAL:
  - A. TERMINAL STAMPING: .032 (.81) THICK TIN PLATED COPPER
  - B. HOUSING : RED VINYL
- PACKAGING:
  - 2K = 2000 PCS
  - A. BULK ONLY: -3K = 3000 PCS ON CONTINUOUS MOLDED CARRIER STRIP
- DIMENSIONS IN BRACKETS ARE IN MILLIMETERS OR mm<sup>2</sup>



LISTED  
587H  
E52164



CERTIFIED  
LR31212



A41069\_09

REV	DATE	BY	CHK	DESCRIPTION	ECN #	CUST	PM
09	9/11	LSM	LSM	Replaced CP851, CP-860, CP-861 presses and CDB00 applicator			

**PANDUIT**

CORP.

TINLEY PARK, ILLINOIS

TERMO 2PC. CONTINUOUSLY MOLDED VINYL INSULATED, #22-18 BARREL, RINGS

DRAWN BY CLK CHK'D FS SCALE NONE DRAWING NO. A41069