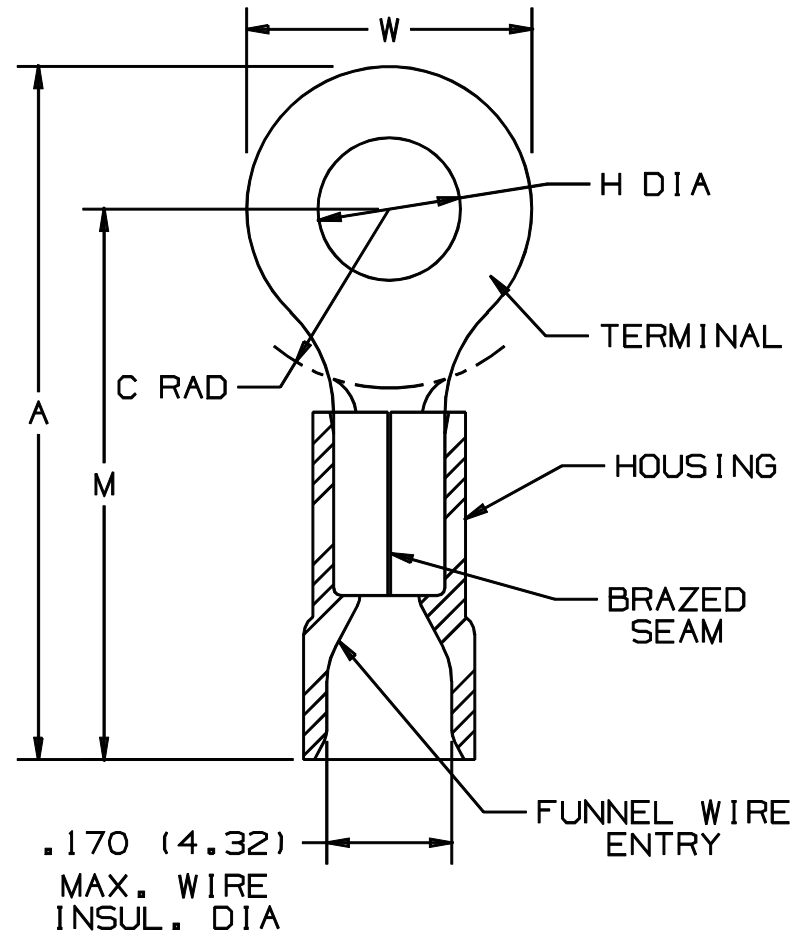


THIS COPY IS PROVIDED ON A RESTRICTED BASIS AND IS NOT TO BE USED IN ANY WAY DETRIMENTAL TO THE INTERESTS OF PANDUIT CORP.

PANDUIT PART NUMBER	STUD SIZE	DIMENSIONS in.				
		A ±.03	W ±.01	C ±.02	M ±.03	H ±.01
PV14-4R	#4	.84 (21.34)	.25 (6.35)	.19 (4.83)	.71 (18.03)	.12 (3.05)
PV14-6RN	#6	.84 (21.34)	.25 (6.35)	.19 (4.83)	.71 (18.03)	.15 (3.81)
PV14-6R	#6	.92 (23.37)	.31 (7.87)	.25 (6.35)	.76 (19.30)	.15 (3.81)
PV14-8R	#8	.92 (23.37)	.31 (7.87)	.25 (6.35)	.76 (19.30)	.17 (4.32)
PV14-10R	#10	.92 (23.37)	.31 (7.87)	.25 (6.35)	.76 (19.30)	.20 (5.08)
PV14-14R	1/4"	1.12 (28.45)	.46 (11.68)	.38 (9.65)	.89 (22.61)	.27 (6.86)
PV14-56R	5/16"	1.12 (28.45)	.46 (11.68)	.38 (9.65)	.89 (22.61)	.34 (8.64)
PV14-38R	3/8"	1.21 (30.73)	.53 (13.46)	.43 (10.92)	.94 (23.88)	.40 (10.16)



NOTES:

- UL LISTED & CSA CERTIFIED FOR
 - 600 V. MAX. VOLTAGE RATING (1000 V. MAX. IN SIGNS, FIXTURES AND LUMINAIRES.)
 - 18-14 AWG SOLID OR STRANDED COPPER WIRE & 221°F (105°C) MAX TEMP RATING, WITH THE CT-500 & CT-550, CT-1551, CT-1550 INSTALLATION TOOLS.
 - 16-14 AWG SOLID OR STRANDED COPPER WIRE & 167°F (75°C) MAX TEMP RATING WITH THE CT-100 INSTALLATION TOOLS.

2. MATERIAL:

- STAMPING - .032 (.81) THK COPPER, TIN PLATED
- HOUSING - VINYL, BLUE

3. STRIP LENGTH 5/16 ^{+1/32} -0

4. PACKAGE QTY.: -C=100/-M=1000

5. DIMENSIONS IN BRACKETS ARE IN MILLIMETERS



LISTED
587H
E52164



CERTIFIED
LR31212

A41184_03

03	1/01	KMD		CAD FILE SPEC. WAS N41184AA_PCD_02							TINLEY PARK, ILLINOIS
02		JKD		ADDED CT-1551 & CT-1550 TOOLS	07634						
01	1-95	MS	RLS	UPDATED NOTES AND DIMENSIONS	02869	LA	TFKE			2PC. VINYL INSULATED, #16-14 BARREL, RINGS	
R	3/88	FS	LM	RELEASED		LA	JB				
REV	DATE	BY	CHK	DESCRIPTION	ECN #	CUST	PM	DRAWN BY FES	CHK'D	SCALE NONE	DRAWING NO. A41184