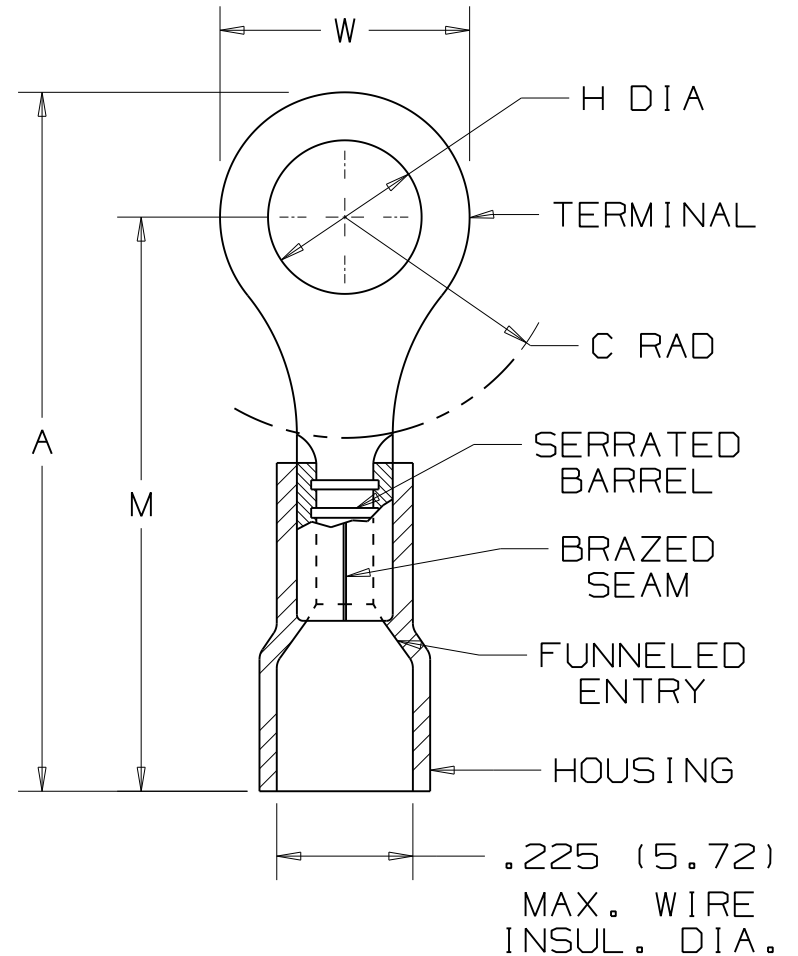


PANDUIT PART NUMBER	STUD SIZE	DIMENSIONS in.				
		A $\pm .020$	W $\pm .010$	C $\pm .015$	M $\pm .020$	H $\pm .010$
PV12-6HDR	#6	1.05 (26.67)	.31 (7.87)	.35 (8.89)	.89 (22.61)	.15 (3.81)
PV12-8HDR	#8	1.05 (26.67)	.31 (7.87)	.35 (8.89)	.89 (22.61)	.17 (4.32)
PV12-10HDR	#10	1.08 (27.43)	.37 (9.40)	.33 (8.38)	.89 (22.61)	.20 (5.08)
PV12-14HDR	1/4"	1.23 (31.24)	.52 (13.21)	.42 (10.67)	.97 (24.64)	.27 (6.86)
PV12-56HDR	5/16"	1.23 (31.24)	.52 (13.21)	.42 (10.67)	.97 (24.64)	.34 (8.64)
PV12-38HDR	3/8"	1.31 (33.27)	.58 (14.73)	.46 (11.68)	1.02 (25.91)	.40 (10.16)

NOTES:

- UL LISTED AND CSA CERTIFIED FOR:
  - 600V. MAX. VOLTAGE RATING
  - #16-12 AWG STRANDED COPPER WIRE
  - 221° F (105° C) MAX. TEMP. RATING
- MATERIAL:
  - STAMPING - .05" (1.27) THK COPPER, TIN PLATED
  - HOUSING - VINYL, YELLOW
- SEE [www.panduit.com](http://www.panduit.com) FOR PART NUMBER SUFFIX DESIGNATION FOR PACKAGE SIZE.
- DIMENSIONS IN BRACKETS ARE IN MILLIMETERS
- INSTALLATION TOOLS:
  - UL LISTED AND CSA CERTIFIED: CT-550, CT-600-A, CT-1550, CT-1551, CT-2500
  - PANDUIT APPROVED: CT-460



LISTED  
587H  
E52164



CERTIFIED  
LR31212

03	8/11	SHOR	MODIFIED NOTE #3, ADDED INSTALLATION TOOLS			<p>TINLEY PARK, ILLINOIS</p> <p>#16-12 BARREL FUNNELED VINYL INSULATED HEAVY DUTY RING TONGUE, .225 (5.72) MAX. WIRE INSULATION DIAMETER</p>
02		JKD	ADDED CT-1550 & CT-1551 TO NOTE 5			
1	7-88	DW	REDRAWN WITH REVISIONS			
REV	DATE	BY	DESCRIPTION	PM	APP	DRAWN BY: DAW CHK'D: SCALE: NONE DRAWING NO.: A41281A