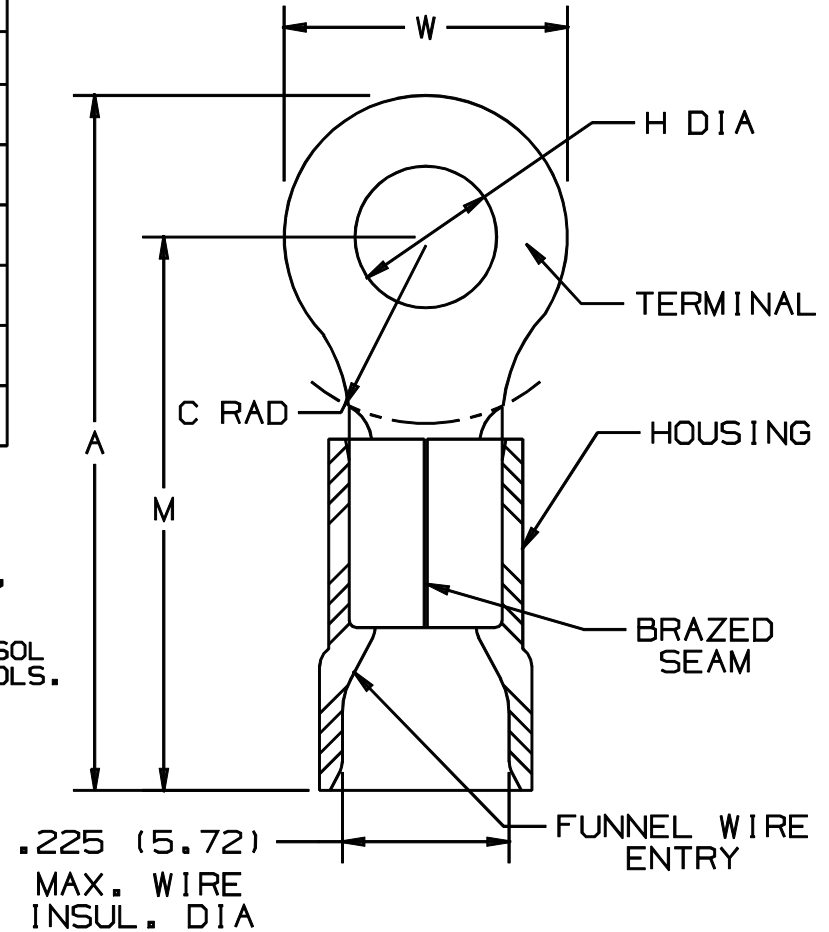


THIS COPY IS PROVIDED ON A RESTRICTED BASIS AND IS NOT TO BE USED IN ANY WAY DETRIMENTAL TO THE INTERESTS OF PANDUIT CORP.

PANDUIT PART NUMBER	STUD SIZE	DIMENSIONS in.				
		A ±.03	W ±.01	C ±.02	M ±.03	H ±.01
PV10-6R	#6	1.05 (26.67)	.31 (7.87)	.31 (7.87)	.89 (22.61)	.15 (3.81)
PV10-8R	#8	1.05 (26.67)	.31 (7.87)	.31 (7.87)	.89 (22.61)	.17 (4.32)
PV10-10R	#10	1.05 (26.67)	.31 (7.87)	.31 (7.87)	.89 (22.61)	.20 (5.08)
PV10-14R	1/4"	1.23 (31.24)	.52 (13.21)	.38 (9.65)	.97 (24.64)	.27 (6.86)
PV10-56R	5/16"	1.23 (31.24)	.52 (13.21)	.38 (9.65)	.97 (24.64)	.33 (8.38)
PV10-38R	3/8"	1.31 (33.27)	.58 (14.73)	.41 (10.41)	1.02 (25.91)	.39 (9.91)

NOTES:

- UL LISTED AND CSA CERTIFIED FOR:
 - 600V. MAX. BLDG WIRE (1000 V. MAX IN SIGNS, FIXTURES & LUMINAIRES), AND 14-10 AWG SOLID OR STRANDED COPPER WIRE, & 221°F (105°C MAX) TEMP RATING WITH THE CT-550 INSTALLATION TOOL #12 STR OR SOL & #10 STR W/ CT-1550, CT-1551 INSTALLATION TOOLS.
 - 300 V. MAX BLDG WIRE, 12-10 AWG SOLID OR STRANDED COPPER WIRE, & 167°F (75°C) MAX TEMP RATING WITH THE CT-100 INSTALLATION TOOLS.
- MATERIAL:
 - STAMPING - .04" (1.02) THK COPPER, TIN PLATED
 - HOUSING - VINYL, YELLOW
- STRIP LENGTH - 5/16 ^{+1/32} -0
- PACKAGE QTY:
 - L=50
 - D=500
- DIMENSIONS IN BRACKETS ARE IN MILLIMETERS



LISTED
587H
E52164



CERTIFIED
LR31212

A41187_03

03	1/01	KMD		CAD FILE SPEC. WAS N41187AA_PCD_02			
02	5/99	JKD		ADDED CT-1551, CT-1550 TOOLS	07634		
01	1/95	MS		UPDATED NOTES AND DIMENSIONS	02848	TJPTFK	
R	3/88	FS	LM	RELEASED		LA	JB
REV	DATE	BY	CHK	DESCRIPTION	ECN #	CUST	PM

PANDUIT CORP.

TINLEY PARK, ILLINOIS

2PC. VINYL INSULATED,
#12-10 BARREL, RINGS

DRAWN BY FES CHK'D SCALE NONE DRAWING NO. A41187