



PART NAME

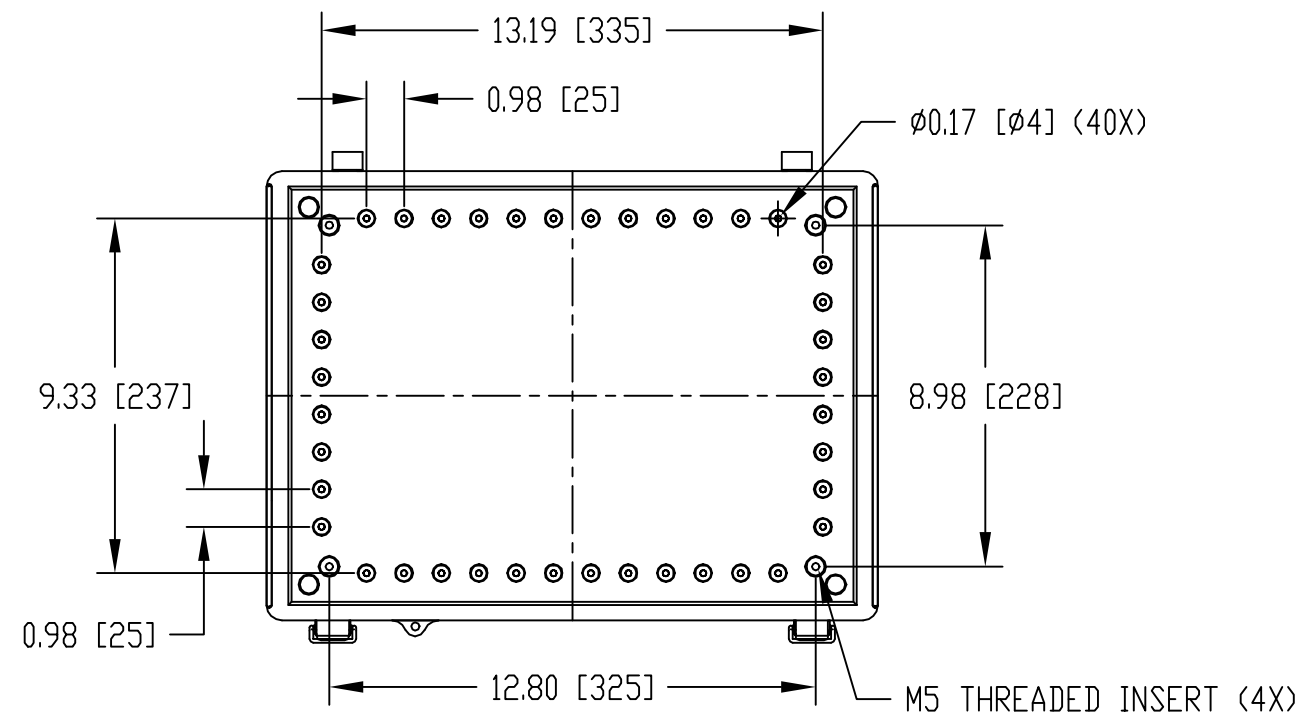
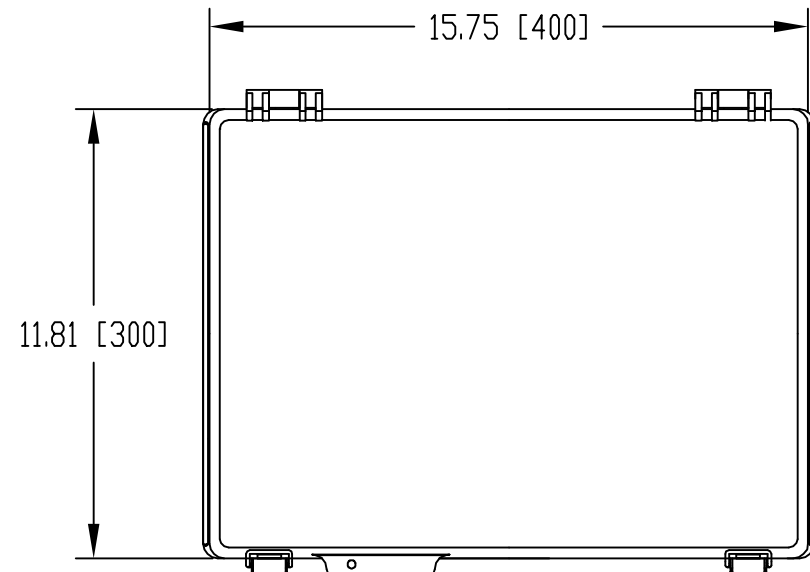
PTQ SERIES ENCLOSURE

PART No.

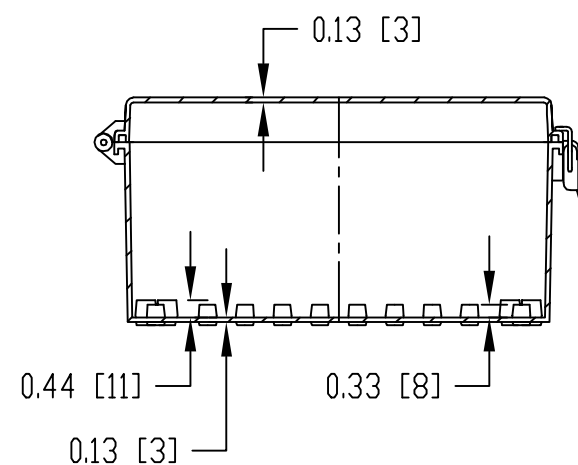
PTQ-11068 PTQ-11068-C

REV. DATE

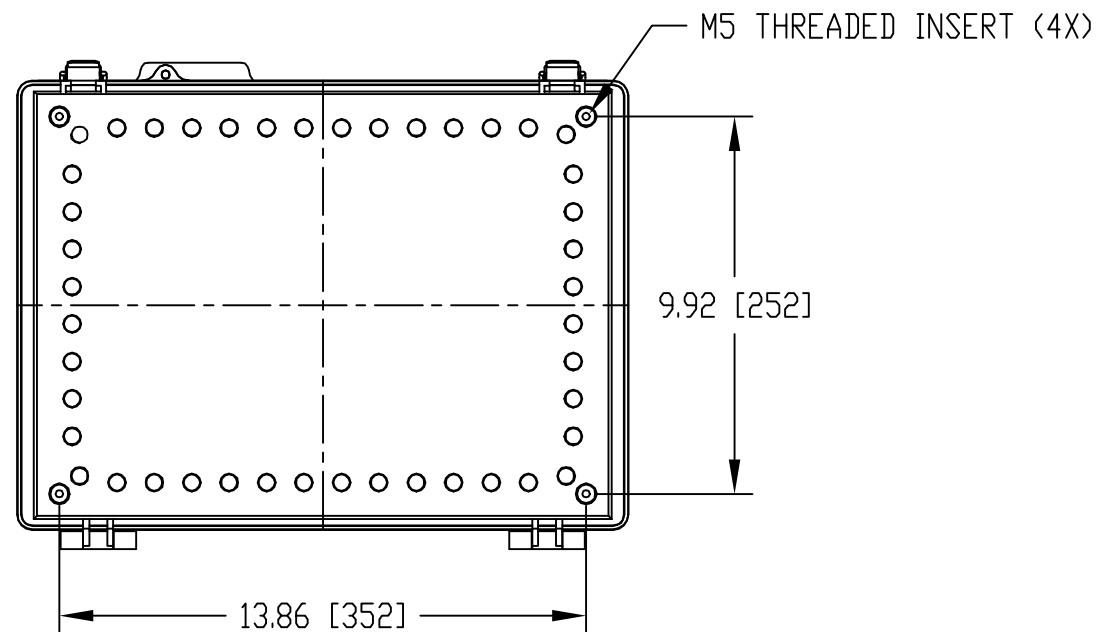
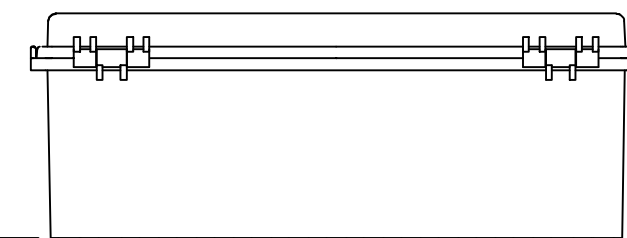
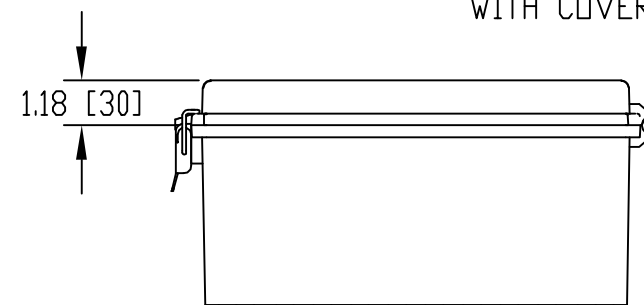
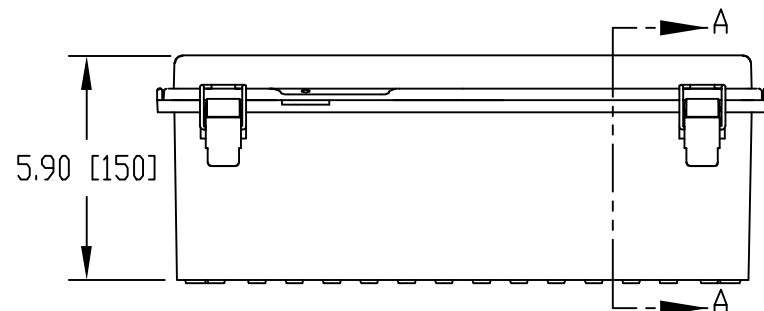
12-23-14



INSIDE VIEW OF BODY WITH COVER REMOVED



SECTION A-A



MATERIAL:
 BODY - POLYCARBONATE RESIN 10% GLASS FIBER FILLED
 COVER - POLYCARBONATE

COLOR:
 BODY - LIGHT GRAY
 COVER - LIGHT GRAY OR CLEAR (SUFFIX -C)

UL508 / NEMA TYPE 4X WITH IP-67 TUV RATING & UL-94 5VA RATING
 CONTINUOUS GASKET IN COVER

DIMENSIONS ARE INCH[MM]
 DRAWING FOR REFERENCE