

Surge protection plug - PT 4X1-24DC-ST - 2838322

Please be informed that the data shown in this PDF Document is generated from our Online Catalog. Please find the complete data in the user's documentation. Our General Terms of Use for Downloads are valid (<http://phoenixcontact.com/download>)



Protective plug PT with protective circuit for 4 conductors of signal circuits grounded on one side. Nominal voltage: 24 V DC

The illustration shows version PT 4x1- 5 DC-ST

Product Features

- Plugs can be checked with CHECKMASTER
- Installed in conjunction with the PT 4x1...-BE base element
- Maximum ease of maintenance thanks to the two-piece design
- Base element remains an integral part of the installation
- Consistent plug-in signal circuit protection
- Protection for four conductors with common reference potential
- Impedance-neutral disconnection of plug for test and maintenance purposes



Key Commercial Data

Packing unit	1 pc
Weight per Piece (excluding packing)	25.85 g
Custom tariff number	85363010
Country of origin	Germany

Technical data

Dimensions

Height	45 mm
Width	17.7 mm
Depth	52 mm
Horizontal pitch	1 Div.

Surge protection plug - PT 4X1-24DC-ST - 2838322

Technical data

Dimensions

Complete module height	90 mm
Complete module width	17.7 mm
Complete module depth	65.5 mm

Ambient conditions

Ambient temperature (operation)	-40 °C ... 85 °C
Degree of protection	IP20

General

Housing material	PA 6.6
Flammability rating according to UL 94	V-0
Color	black
Standards for clearances and creepage distances	VDE 0110-1
	IEC 60664-1
Mounting type	On base element
Type	DIN rail module, two-section, divisible
Direction of action	Line-Line & Line-Signal Ground/Shield & optional Signal Ground/Shield-Earth Ground
Arrester can be tested with CHECKMASTER from software version:	From SW rev. 1.00

Protective circuit

IEC test classification	C1
	C2
	C3
	D1
VDE requirement class	C1
	C2
	C3
	D1
Nominal voltage U_N	24 V DC
Maximum continuous voltage U_C	28 V DC
	20 V AC
Rated current	300 mA (45°C)
Operating effective current I_C at U_C	$\leq 5 \mu A$
Residual current I_{PE}	$\leq 1 \mu A$ (BE: 4x1+F)
	$\leq 20 \mu A$ (Directly grounded)
Nominal discharge current I_n (8/20) μs (Core-Earth)	10 kA
Pulse discharge current I_{imp} (10/350) μs	2.5 A (per path)
Max. discharge current I_{max} (8/20) μs maximum (Core-Earth)	10 kA

Surge protection plug - PT 4X1-24DC-ST - 2838322

Technical data

Protective circuit

Nominal pulse current I_{an} (10/1000) μ s (Core-Earth)	30 A
Output voltage limitation at 1 kV/ μ s (Core-Earth) spike	≤ 45 V
Output voltage limitation at 1 kV/ μ s (Core-Earth) static	≤ 40 V
Residual voltage at I_n (conductor-ground)	≤ 40 V
Voltage protection level U_p (core-ground)	≤ 80 V (C2 - 10 kV/5 kA)
Response time t_A (Core-Earth)	≤ 1 ns
Input attenuation a_E , asym.	0.5 dB (≤ 1 MHz)
Cut-off frequency f_g (3 dB), asym. (PE) in 50 Ohm system	typ. 6 MHz
Capacity (Core-Earth)	1.4 nF
Resistance in series	4.7 Ω
Surge protection fault message	None
Max. required back-up fuse	315 mA (e.g. T (IEC 127-2/III))
Impulse durability (conductor-ground)	C2 - 10 kV/5 kA
	D1 - 2,5 kA

Connection data

Connection method	Screw connection (in connection with the base element)
Connection type IN	PLUGTRAB plug-in system
Connection type OUT	PLUGTRAB plug-in system
Screw thread	M3
Tightening torque	0.8 Nm
Stripping length	8 mm
Conductor cross section flexible	0.2 mm ² ... 2.5 mm ²
Conductor cross section solid	0.2 mm ² ... 4 mm ²
Conductor cross section AWG	24 ... 12

Standards and Regulations

Standards/regulations	IEC 61643-21
	DIN EN 61643-21
	UL 497B

Classifications

eCl@ss

eCl@ss 4.0	27140201
eCl@ss 4.1	27130801
eCl@ss 5.0	27130801
eCl@ss 5.1	27130801

Surge protection plug - PT 4X1-24DC-ST - 2838322

Classifications

eCl@ss

eCl@ss 6.0	27130807
eCl@ss 7.0	27130807
eCl@ss 8.0	27130807
eCl@ss 9.0	27130807

ETIM

ETIM 2.0	EC000943
ETIM 3.0	EC000943
ETIM 4.0	EC000943
ETIM 5.0	EC000943

UNSPSC

UNSPSC 6.01	30212010
UNSPSC 7.0901	39121610
UNSPSC 11	39121610
UNSPSC 12.01	39121610
UNSPSC 13.2	39121620

Approvals

Approvals

Approvals

UL Listed / GL / EAC / EAC

Ex Approvals

UL Listed / cUL Listed / cULus Listed

Approvals submitted

Approval details

Surge protection plug - PT 4X1-24DC-ST - 2838322

Approvals

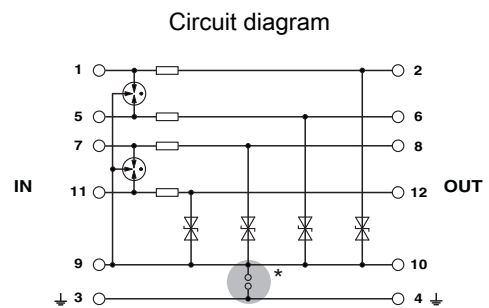
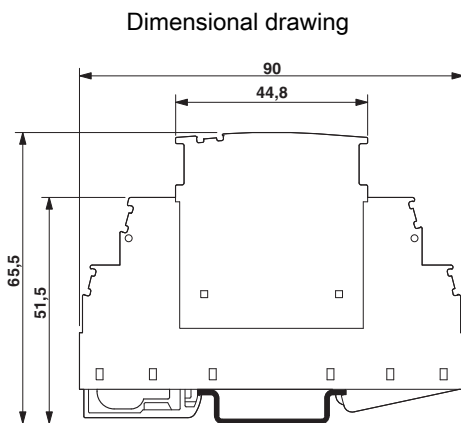
UL Listed	
Nominal current I_N	0.3 A
Nominal voltage U_N	24 V

GL

EAC

EAC

Drawings



The figure shows the complete module consisting of a base element and connector