

Surge protection plug - PT 2X1-24DC/FM-ST - 2920120

Please be informed that the data shown in this PDF Document is generated from our Online Catalog. Please find the complete data in the user's documentation. Our General Terms of Use for Downloads are valid (<http://phoenixcontact.com/download>)



Surge protection plug with integrated diagnostic and status indicator on the module and remote indication contact for two signal wires with common reference potential. Nominal voltage: 24 V DC

Why buy this product

- Plugs can be checked with CHECKMASTER
- Maximum ease of maintenance thanks to the two-piece design
- Base element remains an integral part of the installation
- With floating remote indication contact
- Consistent plug-in signal circuit protection
- Permanent and independent monitoring by a diagnostics unit
- Impedance-neutral disconnection of plug for test and maintenance purposes
- Optical status indication for the individual arresters



Key Commercial Data

Packing unit	10 STK
GTIN	 4 046356 154079

Technical data

Dimensions

Height	45 mm
Width	17.7 mm
Depth	52 mm
Horizontal pitch	1 Div.
Complete module height	90 mm
Complete module width	17.7 mm
Complete module depth	65.5 mm

Ambient conditions

Surge protection plug - PT 2X1-24DC/FM-ST - 2920120

Technical data

Ambient conditions

Ambient temperature (operation)	-40 °C ... 85 °C
Degree of protection	IP20

General

Housing material	PA 6.6
Flammability rating according to UL 94	V0
Color	black
Standards for clearances and creepage distances	VDE 0110-1
	IEC 60664-1
Mounting type	On base element
Type	DIN rail module, two-section, divisible
Direction of action	Line-Line & Line-Signal Ground/Shield & optional Signal Ground/Shield-Earth Ground

Protective circuit

IEC test classification	C1
	C2
	C3
	D1
VDE requirement class	C1
	C2
	C3
	D1
Nominal voltage U_N	24 V DC
Maximum continuous voltage U_C	28 V DC
	20 V AC
Maximum continuous voltage U_C (wire-ground)	28 V DC
	20 V AC
Nominal current I_N	300 mA (45°C)
Operating effective current I_C at U_C	$\leq 5 \mu A$
Standby power consumption P_C	$\leq 1.73 VA$
Residual current I_{PE}	$\leq 1 \mu A$ (BE: 2x1+F)
	$\leq 10 \mu A$ (Directly grounded)
Nominal discharge current I_n (8/20) μs (Core-Earth)	10 kA
Total surge current (8/20) μs	20 kA
Max. discharge current I_{max} (8/20) μs maximum (Core-Earth)	10 kA
Nominal pulse current I_{an} (10/1000) μs (Core-Earth)	33 A (25 °C)
Impulse discharge current (10/350) μs , peak value I_{imp}	2.5 kA (per path)
Output voltage limitation at 1 kV/ μs (Core-Earth) spike	$\leq 50 V$
	$\leq 600 V$ (BE: 2x1+F)
Output voltage limitation at 1 kV/ μs (Core-GND) spike	$\leq 50 V$
Output voltage limitation at 1 kV/ μs (Core-Earth) static	$\leq 40 V$

Surge protection plug - PT 2X1-24DC/FM-ST - 2920120

Technical data

Protective circuit

Output voltage limitation at 1 kV/μs (Core-GND) static	≤ 40 V
Residual voltage at I _n (conductor-ground)	≤ 40 V
Residual voltage with I _{an} (10/1000)μs (conductor-ground)	≤ 50 V
Voltage protection level U _p (core-ground)	≤ 40 V (C1 (500 V/250 A))
	≤ 40 V (C3 - 25 A)
Voltage protection level U _p (core-GND)	≤ 40 V (C1 (500 V/250 A))
	≤ 40 V (C3 - 25 A)
Response time t _A (Core-Earth)	≤ 1 ns
Input attenuation a _E , asym.	typ. 0.5 dB (≤ 1 MHz / 50 Ω)
	typ. 0.2 dB (≤ 400 kHz / 150 Ω)
Cut-off frequency f _g (3 dB), asym. (GND) in 50 Ohm system	typ. 6 MHz
Cut-off frequency f _g (3 dB), asym. (GND) in 150 Ohm system	typ. 2.5 MHz
Resistance in series	4.7 Ω (7-8/11-12)
Max. required back-up fuse	315 mA (e.g. T (IEC 127-2/III))
Impulse durability (conductor-ground)	C2 - 10 kV/5 kA
	D1 - 2,5 kA
	C3 (25 A)
Alternating current carrying capacity (conductor-ground)	5 A - 1 s

Connection data

Connection method	Screw connection (in connection with the base element)
Connection type IN	PLUGTRAB plug-in system
Connection type OUT	PLUGTRAB plug-in system
Screw thread	M3
Tightening torque	0.8 Nm
Stripping length	8 mm
Conductor cross section flexible min.	0.2 mm ²
Conductor cross section flexible max.	2.5 mm ²
Conductor cross section solid min.	0.2 mm ²
Conductor cross section solid max.	4 mm ²
Conductor cross section AWG min.	24
Conductor cross section AWG max.	12

Standards and Regulations

Standards/regulations	IEC 61643-21
	DIN EN 61643-21

Classifications

eCl@ss

eCl@ss 4.0	27140201
------------	----------

Surge protection plug - PT 2X1-24DC/FM-ST - 2920120

Classifications

eCl@ss

eCl@ss 4.1	27130801
eCl@ss 5.0	27130801
eCl@ss 5.1	27130801
eCl@ss 6.0	27130807
eCl@ss 7.0	27130807
eCl@ss 8.0	27130807
eCl@ss 9.0	27130807

ETIM

ETIM 2.0	EC000943
ETIM 3.0	EC000943
ETIM 4.0	EC000943
ETIM 5.0	EC000943

UNSPSC

UNSPSC 6.01	30212010
UNSPSC 7.0901	39121610
UNSPSC 11	39121610
UNSPSC 12.01	39121610
UNSPSC 13.2	39121620

Approvals

Approvals

Approvals

UL Listed / EAC / EAC

Ex Approvals

Approvals submitted

Approval details

UL Listed

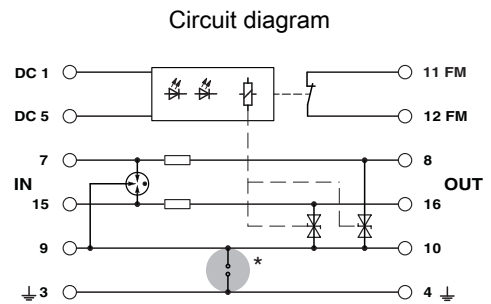
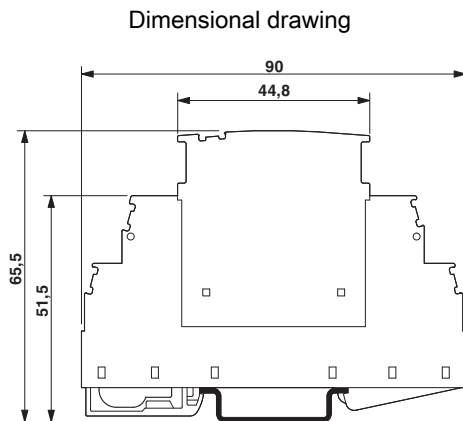
EAC

Surge protection plug - PT 2X1-24DC/FM-ST - 2920120

Approvals

EAC

Drawings



The figure shows the complete module consisting of a base element and connector

Phoenix Contact 2016 © - all rights reserved
<http://www.phoenixcontact.com>

PHOENIX CONTACT GmbH & Co. KG
Flachsmarktstr. 8
32825 Blomberg
Germany
Tel. +49 5235 300
Fax +49 5235 3 41200
<http://www.phoenixcontact.com>