


DIN rail connector - PSR-TBUS - 2890425

Please be informed that the data shown in this PDF Document is generated from our Online Catalog. Please find the complete data in the user's documentation. Our General Terms of Use for Downloads are valid (<http://phoenixcontact.com/download>)

DIN rail connector for safety switching devices, for supplying/controlling/monitoring (depending on the module)



Key Commercial Data

Packing unit	50 STK
GTIN	 4 046356 091268

Technical data

Product type	DIN rail connector
Approval	EAC
	EAC

Classifications

eCl@ss

eCl@ss 4.0	27371102
eCl@ss 4.1	27371102
eCl@ss 5.0	27371901
eCl@ss 5.1	27371901
eCl@ss 6.0	27260704
eCl@ss 7.0	27440402
eCl@ss 8.0	27249290
eCl@ss 9.0	27240692

ETIM

ETIM 2.0	EC001449
ETIM 3.0	EC001449
ETIM 4.0	EC001449
ETIM 5.0	EC002584

DIN rail connector - PSR-TBUS - 2890425

Classifications

UNSPSC

UNSPSC 6.01	30211901
UNSPSC 7.0901	39121501
UNSPSC 11	39121501
UNSPSC 12.01	39121501
UNSPSC 13.2	39121501

Approvals

Approvals

Approvals

EAC / EAC

Ex Approvals

Approvals submitted

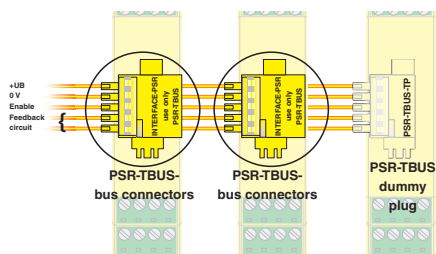
Approval details

EAC

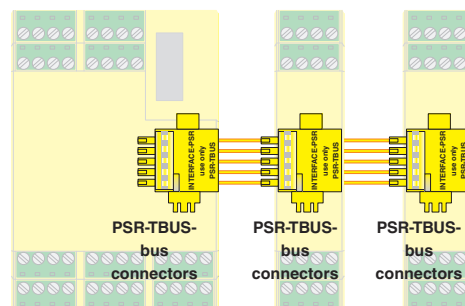
EAC

Drawings

Connection diagram



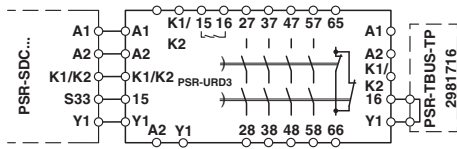
Connection diagram



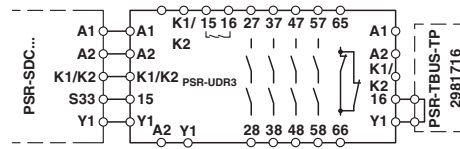
PSR-TBUS with TRISAFE (PSR-TBUS-TP blind plug may not be used)

DIN rail connector - PSR-TBUS - 2890425

Circuit diagram



Circuit diagram



Phoenix Contact 2016 © - all rights reserved
<http://www.phoenixcontact.com>

PHOENIX CONTACT GmbH & Co. KG
Flachsmarktstr. 8
32825 Blomberg
Germany
Tel. +49 5235 300
Fax +49 5235 3 41200
<http://www.phoenixcontact.com>