

HDMI Plug to HDMI Plug

pro-SIGNAL

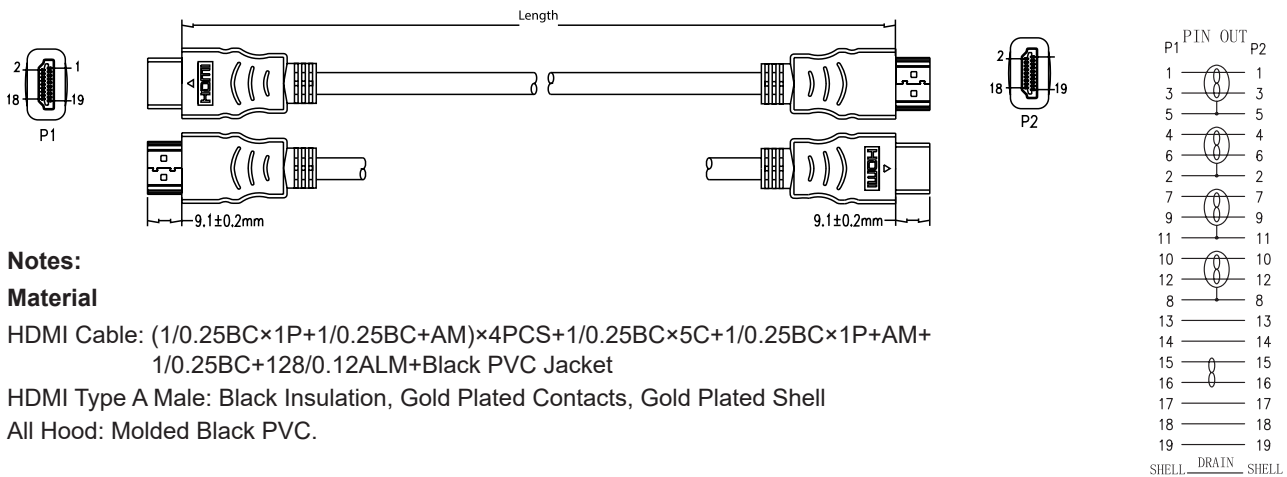


RoHS
Compliant

Specifications

Connector to Connector : HDMI Plug to HDMI Plug
 Conductor Resistance : 10Ω Max.
 Insulation Resistance : 5MΩ Man.
 Jacket Colour : Black

Diagram



Notes:

Material

HDMI Cable: (1/0.25BC×1P+1/0.25BC+AM)×4PCS+1/0.25BC×5C+1/0.25BC×1P+AM+1/0.25BC+128/0.12ALM+Black PVC Jacket

HDMI Type A Male: Black Insulation, Gold Plated Contacts, Gold Plated Shell

All Hood: Molded Black PVC.

Part Number Table

Description	Length	Part Number
HDMI Plug to HDMI Plug, Black	0.15m	PSG91341
	0.3m	PSG91342

Dimensions : Millimetres

Important Notice : This data sheet and its contents (the "Information") belong to the members of the AVNET group of companies (the "Group") or are licensed to it. No licence is granted for the use of it other than for information purposes in connection with the products to which it relates. No licence of any intellectual property rights is granted. The Information is subject to change without notice and replaces all data sheets previously supplied. The Information supplied is believed to be accurate but the Group assumes no responsibility for its accuracy or completeness, any error in or omission from it or for any use made of it. Users of this data sheet should check for themselves the Information and the suitability of the products for their purpose and not make any assumptions based on information included or omitted. Liability for loss or damage resulting from any reliance on the Information or use of it (including liability resulting from negligence or where the Group was aware of the possibility of such loss or damage arising) is excluded. This will not operate to limit or restrict the Group's liability for death or personal injury resulting from its negligence. pro-SIGNAL is the registered trademark of Premier Farnell Limited 2019.

Newark.com/exclusive-brands
 Farnell.com/exclusive-brands
 Element14.com/exclusive-brands

pro-SIGNAL