

Snagless UTP Patch Cord Cat6

pro-SIGNAL

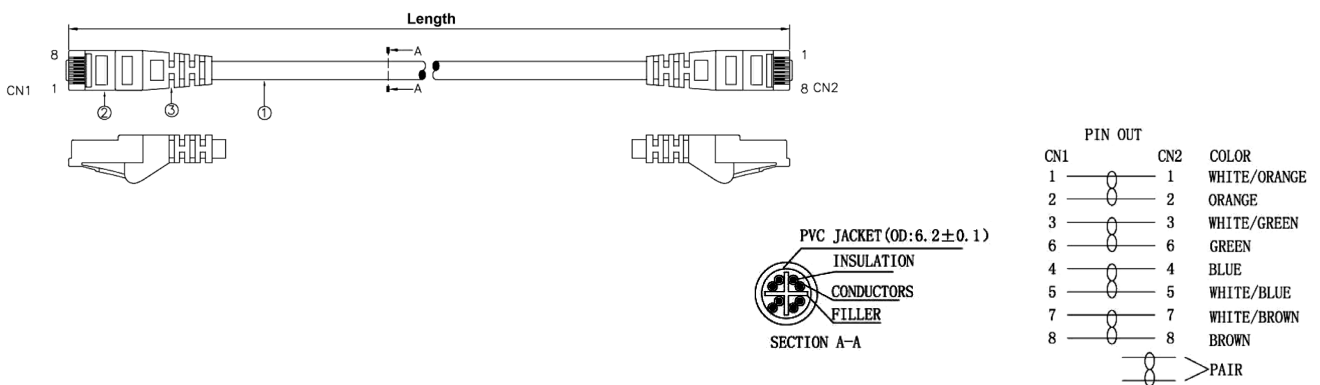
RoHS
Compliant



Specifications

Connector to Connector : RJ45 Plug to RJ45 Plug
LAN Category : Cat6

Diagram



Notes:

Material

1. Cable: 24AWG (7/0.18CU)×4Pair+Filler+PVC Jacket
 2. Connector: Clear Polyester, UL94V-2
 3. Contacts: Brass, Gold Plated 3μ
- PVC Molded: PVC

Part Number Table

Description	Colour	Length	Part Number
Snagless UTP Patch Cord, Cat6	Black	0.2m	PSG90851
	Blue	0.2m	PSG90852
	White	0.2m	PSG90853
	Black	0.5m	PSG90525
	Blue	0.5m	PSG90533
	Orange	0.5m	PSG90567
	Black	1m	PSG90526
	Blue	1m	PSG90534
	White	1m	PSG90542
	Black	5m	PSG90529

Dimensions : Millimetres

Important Notice : This data sheet and its contents (the "Information") belong to the members of the AVNET group of companies (the "Group") or are licensed to it. No licence is granted for the use of it other than for information purposes in connection with the products to which it relates. No licence of any intellectual property rights is granted. The Information is subject to change without notice and replaces all data sheets previously supplied. The Information supplied is believed to be accurate but the Group assumes no responsibility for its accuracy or completeness, any error in or omission from it or for any use made of it. Users of this data sheet should check for themselves the Information and the suitability of the products for their purpose and not make any assumptions based on information included or omitted. Liability for loss or damage resulting from any reliance on the Information or use of it (including liability resulting from negligence or where the Group was aware of the possibility of such loss or damage arising) is excluded. This will not operate to limit or restrict the Group's liability for death or personal injury resulting from its negligence. pro-SIGNAL is the registered trademark of Premier Farnell Limited 2019.

Newark.com/exclusive-brands
Farnell.com/exclusive-brands
Element14.com/exclusive-brands

pro-SIGNAL