

# Patch Lead - CAT 5E

pro-SIGNAL



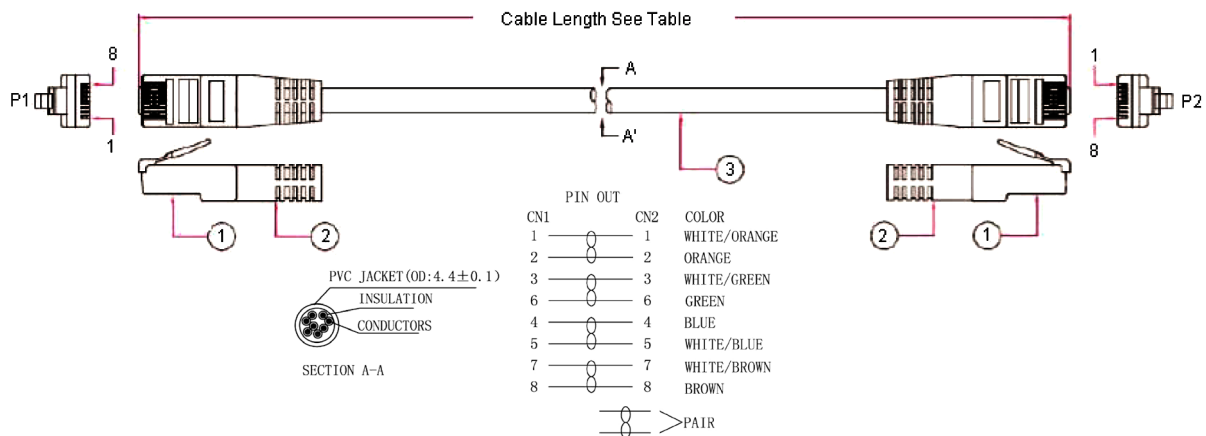
RoHS  
Compliant

## Electrical Test

100% open short and miss wire test

## Specifications Table

Item	Parts Name	Description
1	8P8C Plug	8P8Cplug, pin gold plated
2	Moulding	45P PVC
3	CAT5E Cable	(7/0.18 mm bare copper + HD-PE) × 4P Jacket : PVC colour Outer diameter : Ø5.5 ±0.2mm Marking : RW System Cable UTP CAT5E 4 pairs 24 AWG Stranded TIA / EIA568 100MHz



Cable Length	Cable and Moulding Colours
200 ±5mm	-
500 ±5mm	Black
1,000 ±10mm	Blue
2,000 ±20mm	Green
3,000 ±30mm	Grey
4,000 ±40mm	Pink

Cable Length	Cable and Moulding Colours
5,000 ±50mm	Red
6,000 ±60mm	Violet
7,000 ±70mm	White
10,000 ±100mm	Yellow
15,000 ±150mm	-
20,000 ±200mm	-

## Part Number Table

Description	Part Number
Patch Lead, CAT 5E, 0.5 m White	PS11001
Patch Lead, CAT 5E, 1 m White	PS11002
Patch Lead, CAT 5E, 2 m White	PS11003
Patch Lead, CAT 5E, 3 m White	PS11004
Patch Lead, CAT 5E, 5 m White	PS11005

Description	Part Number
Patch Lead, CAT 5E, 10 m White	PS11006
Patch Lead, CAT 5E, 0.5 m Blue	PS11007
Patch Lead, CAT 5E, 1 m Blue	PS11008
Patch Lead, CAT 5E, 2 m Blue	PS11009
Patch Lead, CAT 5E, 3 m Blue	PS11010

Newark.com/exclusive-brands  
Farnell.com/exclusive-brands  
Element14.com/exclusive-brands

pro-SIGNAL

# Patch Lead - CAT 5E



Description	Part Number
Patch Lead, CAT 5E, 4 m Blue	PS11011
Patch Lead, CAT 5E, 5 m Blue	PS11012
Patch Lead, CAT 5E, 6 m Blue	PS11013
Patch Lead, CAT 5E, 7 m Blue	PS11014
Patch Lead, CAT 5E, 10 m Blue	PS11015
Patch Lead, CAT 5E, 15 m Blue	PS11016
Patch Lead, CAT 5E, 20 m Blue	PS11017
Patch Lead, CAT 5E, 0.5 m Green	PS11018
Patch Lead, CAT 5E, 1 m Green	PS11019
Patch Lead, CAT 5E, 2 m Green	PS11020
Patch Lead, CAT 5E, 3 m Green	PS11021
Patch Lead, CAT 5E, 4 m Green	PS11022
Patch Lead, CAT 5E, 5 m Green	PS11023
Patch Lead, CAT 5E, 6 m Green	PS11024
Patch Lead, CAT 5E, 7 m Green	PS11025
Patch Lead, CAT 5E, 10 m Green	PS11026
Patch Lead, CAT 5E, 15 m Green	PS11027
Patch Lead, CAT 5E, 20 m Green	PS11028
Patch Lead, CAT 5E, 0.5 m Grey	PS11029
Patch Lead, CAT 5E, 1 m Grey	PS11030
Patch Lead, CAT 5E, 2 m Grey	PS11031
Patch Lead, CAT 5E, 3 m Grey	PS11032
Patch Lead, CAT 5E, 4 m Grey	PS11033
Patch Lead, CAT 5E, 5 m Grey	PS11034
Patch Lead, CAT 5E, 6 m Grey	PS11035
Patch Lead, CAT 5E, 7 m Grey	PS11036
Patch Lead, CAT 5E, 10 m Grey	PS11037
Patch Lead, CAT 5E, 15 m Grey	PS11038
Patch Lead, CAT 5E, 20 m Grey	PS11039
Patch Lead, CAT 5E, 0.5 m Red	PS11040
Patch Lead, CAT 5E, 1 m Red	PS11041
Patch Lead, CAT 5E, 2 m Red	PS11042
Patch Lead, CAT 5E, 3 m Red	PS11043
Patch Lead, CAT 5E, 4 m Red	PS11044
Patch Lead, CAT 5E, 5 m Red	PS11045
Patch Lead, CAT 5E, 6 m Red	PS11046
Patch Lead, CAT 5E, 7 m Red	PS11047

Description	Part Number
Patch Lead, CAT 5E, 10 m Red	PS11048
Patch Lead, CAT 5E, 15 m Red	PS11049
Patch Lead, CAT 5E, 20 m Red	PS11050
Patch Lead, CAT 5E, 0.5 m Yellow	PS11051
Patch Lead, CAT 5E, 1 m Yellow	PS11052
Patch Lead, CAT 5E, 2 m Yellow	PS11053
Patch Lead, CAT 5E, 3 m Yellow	PS11054
Patch Lead, CAT 5E, 4 m Yellow	PS11055
Patch Lead, CAT 5E, 5 m Yellow	PS11056
Patch Lead, CAT 5E, 6 m Yellow	PS11057
Patch Lead, CAT 5E, 7 m Yellow	PS11058
Patch Lead, CAT 5E, 10 m Yellow	PS11059
Patch Lead, CAT 5E, 15 m Yellow	PS11060
Patch Lead, CAT 5E, 20 m Yellow	PS11061
Patch Lead, CAT 5E, 0.5 m Pink	PS11062
Patch Lead, CAT 5E, 1 m Pink	PS11063
Patch Lead, CAT 5E, 2 m Pink	PS11064
Patch Lead, CAT 5E, 3 m Pink	PS11065
Patch Lead, CAT 5E, 5 m Pink	PS11066
Patch Lead, CAT 5E, 10 m Pink	PS11067
Patch Lead, CAT 5E, 0.5 m Violet	PS11068
Patch Lead, CAT 5E, 1 m Violet	PS11069
Patch Lead, CAT 5E, 2 m Violet	PS11070
Patch Lead, CAT 5E, 5 m Violet	PS11071
Patch Lead, CAT 5E, 10 m Violet	PS11072
Patch Lead, CAT 5E, 0.5 m Black	PS11073
Patch Lead, CAT 5E, 1 m Black	PS11074
Patch Lead, CAT 5E, 2 m Black	PS11075
Patch Lead, CAT 5E, 3 m Black	PS11076
Patch Lead, CAT 5E, 4 m Black	PS11077
Patch Lead, CAT 5E, 5 m Black	PS11078
Patch Lead, CAT 5E, 6 m Black	PS11079
Patch Lead, CAT 5E, 7 m Black	PS11080
Patch Lead, CAT 5E, 10 m Black	PS11081
Patch Lead, CAT 5E, 15 m Black	PS11082
Patch Lead, CAT 5E, 20 m Black	PS11083

**Important Notice** : This data sheet and its contents (the "Information") belong to the members of the AVNET group of companies (the "Group") or are licensed to it. No licence is granted for the use of it other than for information purposes in connection with the products to which it relates. No licence of any intellectual property rights is granted. The Information is subject to change without notice and replaces all data sheets previously supplied. The Information supplied is believed to be accurate but the Group assumes no responsibility for its accuracy or completeness, any error in or omission from it or for any use made of it. Users of this data sheet should check for themselves the Information and the suitability of the products for their purpose and not make any assumptions based on information included or omitted. Liability for loss or damage resulting from any reliance on the Information or use of it (including liability resulting from negligence or where the Group was aware of the possibility of such loss or damage arising) is excluded. This will not operate to limit or restrict the Group's liability for death or personal injury resulting from its negligence. pro-SIGNAL is the registered trademark of Premier Farnell Limited 2019.

Newark.com/exclusive-brands  
 Farnell.com/exclusive-brands  
 Element14.com/exclusive-brands

