



Extract from the online catalog

PROT-M 8 MS-PA-CHAIN

Order No.: 1430860



<http://eshop.phoenixcontact.de/phoenix/treeViewClick.do?UID=1430860>

M8 plastic screw plug with fixing band, for M8 sockets

Commercial data	
EAN	4046356332859
sales group	D191
Pack	10 pcs.
Customs tariff	39269097
Weight/Piece	0.00203 KG
Catalog page information	Page 139 (PC-2009)

Product notes

WEEE/RoHS-compliant since:
12/06/2007



<http://www.download.phoenixcontact.com>
Please note that the data given here has been taken from the online catalog. For comprehensive information and data, please refer to the user documentation. The General Terms and Conditions of Use apply to Internet downloads.

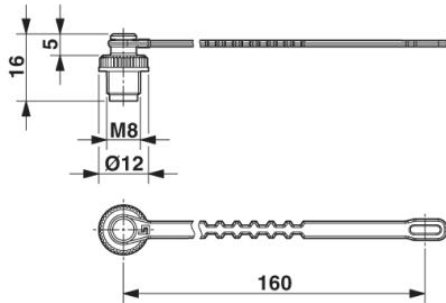
Technical data

General characteristics	
Degree of protection	IP67
Material	PA 66 GF
Sealing material	NBR
Additional material specifications	PUR (Holding band)

PROT-M 8 MS-PA-CHAIN Order No.: 1430860
<http://eshop.phoenixcontact.de/phoenix/treeViewClick.do?UID=1430860>

Diagrams/Drawings

Dimensioned drawing



PROT-M 8 MS-PA-CHAIN Order No.: 1430860
<http://eshop.phoenixcontact.de/phoenix/treeViewClick.do?UID=1430860>

Address

PHOENIX CONTACT Deutschland GmbH
Flachmarktstr. 8
32825 Blomberg, Germany
Phone +49 5235 3 12000
Fax +49 5235 3 41200
<http://www.phoenixcontact.de>



© 2010 Phoenix Contact
Technical modifications reserved;

onlinecomponents.com