

Screw plug - PROT-M12 MS-PA-CHAIN - 1430899

Please be informed that the data shown in this PDF Document is generated from our Online Catalog. Please find the complete data in the user's documentation. Our General Terms of Use for Downloads are valid (<http://phoenixcontact.com/download>)

M12 sealing cap with fixing band, for sensor cables, for free M12 sockets



RoHS

Key Commercial Data

| | |
|--------------------------------------|---|
| Packing unit | 5 pc |
| Minimum order quantity | 5 pc |
| GTIN |  4 046356 332835 |
| GTIN | 4046356332835 |
| Weight per Piece (excluding packing) | 4.170 g |
| Custom tariff number | 39269097 |
| Country of origin | Germany |

Technical data

Ambient conditions

| | |
|---------------------------------|------------------|
| Ambient temperature (operation) | -25 °C ... 85 °C |
| Degree of protection | IP65 |
| | IP67 |

General

| | |
|------|---|
| Note | Not suitable for M12 sockets with K, L, or M coding |
|------|---|

Material

| | |
|--|--------------------|
| Flammability rating according to UL 94 | V0 |
| Material | PA 6.6 GF |
| Sealing material | NBR |
| Additional material specifications | PUR (Holding band) |

Standards and Regulations

| | |
|--|----|
| Flammability rating according to UL 94 | V0 |
|--|----|

Screw plug - PROT-M12 MS-PA-CHAIN - 1430899

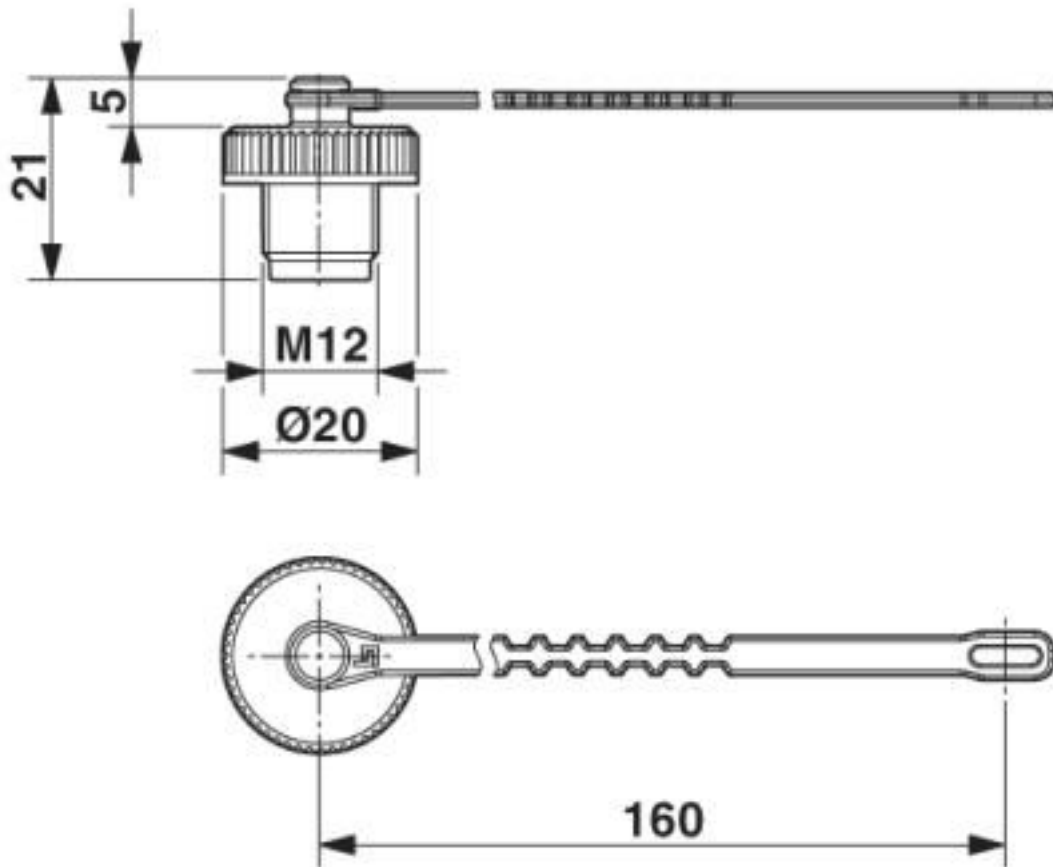
Technical data

Environmental Product Compliance

| | |
|------------|---|
| China RoHS | Environmentally Friendly Use Period = 25; |
| | For details about hazardous substances go to tab "Downloads", Category "Manufacturer's declaration" |

Drawings

Dimensional drawing



Dimensional drawing

Classifications

eCl@ss

| | |
|---------------|----------|
| eCl@ss 10.0.1 | 23111190 |
| eCl@ss 4.0 | 23111100 |
| eCl@ss 4.1 | 23111100 |
| eCl@ss 5.0 | 23111100 |
| eCl@ss 5.1 | 23111100 |
| eCl@ss 6.0 | 23111100 |

Screw plug - PROT-M12 MS-PA-CHAIN - 1430899

Classifications

eCl@ss

| | |
|------------|----------|
| eCl@ss 7.0 | 23111190 |
| eCl@ss 8.0 | 23111190 |
| eCl@ss 9.0 | 23111190 |

ETIM

| | |
|----------|----------|
| ETIM 3.0 | EC002040 |
| ETIM 4.0 | EC002040 |
| ETIM 5.0 | EC002040 |
| ETIM 6.0 | EC000032 |
| ETIM 7.0 | EC000032 |

UNSPSC

| | |
|---------------|----------|
| UNSPSC 6.01 | 31251501 |
| UNSPSC 7.0901 | 31251501 |
| UNSPSC 11 | 31251501 |
| UNSPSC 12.01 | 31251501 |
| UNSPSC 13.2 | 31161501 |
| UNSPSC 18.0 | 31261502 |
| UNSPSC 19.0 | 31261502 |
| UNSPSC 20.0 | 31261502 |
| UNSPSC 21.0 | 31261502 |