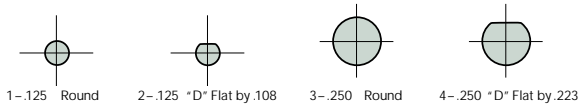


- Series** See bottom of page for series designation.
- Style Number** See catalog page for assigned style number.
- Indicia Config.** Refer to table on page 5. Special marking available.
- Illumination** 0- knob backlighted in accordance with military specifications or customer requirements
 1- knob without illuminated markings
 NOTE: Lighting requirements must be specified separately.
- Color of Knobs** B- black lusterless, color number 37038 of FED-STD-595
 G- gray lusterless, color number 36231 of FED-STD-595
 M- metal finish, natural anodize in accordance with MIL-A-8625
 NOTE: White markings on all knobs to be lusterless, 37875 of FED-STD-595.

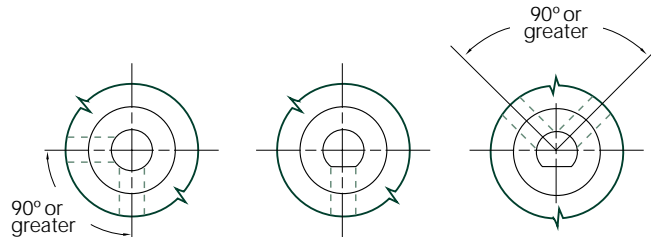
- Shaft Size**
- 1- .125 Round
 - 2- .125 "D" Flat by .108
 - 3- .250 Round
 - 4- .250 "D" Flat by .223
- 
- NOTE: Round shafts are not recommended for use in aircraft.
 "D" flat perpendicularity to be ± 1'

- Set Screws**
- E- MS1021-102 for 1/8" shafts
 - Q- MS1021-132 for 1/4" shafts

STANDARD SET SCREWS

Shaft Hole Size		Thread	Length of Set Screw							Spec.
Round	Flat		1/8	3/16	1/4	5/16	3/8	7/16	1/2	
0.128	0.108	4-40 UNC-3A								MS51021 MS18064 AN565
0.128	NONE	4-40 UNC-3A								
0.190	NONE	4-40 UNC-3A								
0.253	0.223	8-32 UNC-3A								
0.253	NONE	8-32 UNC-3A								

Standard Set Screws Locations



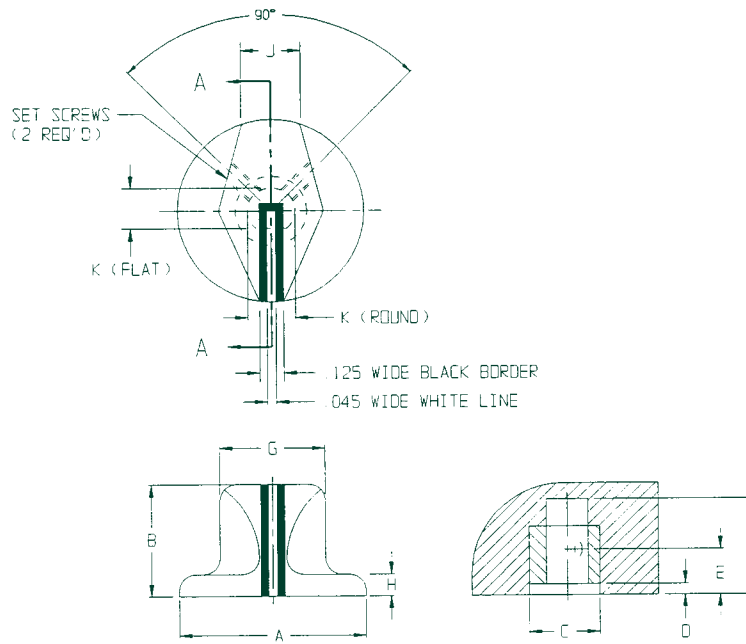
Part Number Designation

I	II	III	IV	V	VI
Series	Knob Style Number	Type	Shaft Size	Color	Indicia Style Figure
TL- Tactile Large	see catalog page for assigned style number	0- Illuminated	1- .125 Round	B- Black G- Gray	A1-A4
TS- Tactile Small		1- NonIlluminated	2- .125 D		B1-B3
PR- Pointer Round		2- Metal	3- .250 Round	C1-C2	
PB- Pointer Bar		3- NVIS	4- .250 D	D1-D2	
RE- Round			5- Reverse	See chart on page 5	
RC- Round Concentric			Flat or Set Screw Hole		
FRB- Round Bar					
FPB- Pointer Bar					
SPK- Pencil Knobs					

EXAMPLE: PR8402-04 G A2	Knob Type	Shaft Hole Diam.	Color	Marking
	Illuminated	1/4" "D" Flat	Gray knob	Black background/White line
PR8402-	0	4	G	A2

All backlighted knobs come with 2 self-locking set screws.
 Set screw locations can vary according to customer requirements.





2460



8401
MS21384
Fig.1



8402
MS21384
Fig.2



2480



2539
NAS539



1338



3670

PR Series

Style Number	A Base Diameter	B Height	C Nut Clearance Diameter		D Nut Clearance Depth	E Set Screw Height	F Shaft Hole Depth	G	H	J	Set Screws	
			1/8	1/4							1/8	1/4
2460	0.88	0.56	0.26	0.385	0.100	0.25	0.50	0.50	0.12	0.28	MS51021-101	MS51021-131
8401	1.00	0.62	0.26	0.385	0.160	0.31	0.50	0.56	0.12	0.31	MS51021-101	MS51021-131
8402	1.00	0.62	0.26	0.385	0.160	0.31	0.50	0.56	0.12	0.31	MS51021-101	MS51021-131
2480	1.12	0.69	0.26	0.385	0.160	0.31	0.59	0.56	0.12	0.31	MS51021-101	MS51021-131
2539	1.25	0.80	-	0.500	0.245	0.40	0.73	0.62	0.16	0.50	-	AN565D8H8
1338	1.50	0.80	-	0.500	0.245	0.35	0.73	0.62	0.16	0.50	-	MS51021-132
3670	1.50	0.88	-	0.385	0.160	0.31	0.78	0.62	0.16	0.50	-	MS51021-132

Design Variations

- All parts are available with or without "Grip/Pull" serrations on the sides
- Set screw locations can vary
- Markings and color can vary (see page 4)
- Nut clearance depth and diameter can vary
- See part number system for shaft hole designation

Detailed drawings are available for each style

All of our backlighted knobs can be manufactured for night vision use. Our knobs meet NVIS "Green A" requirements.

