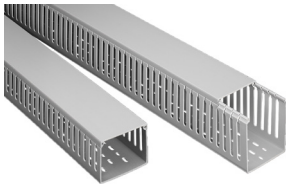


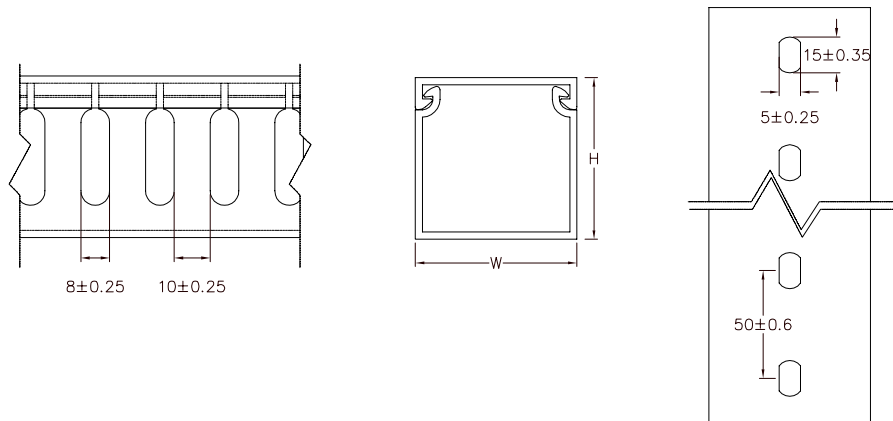
MD Series Slotted Wall Wiring Duct pro-POWER



Features

- Wiring Duct Base comes complete with Cover to provide a neat and finished appearance
- Material: High impact, warp-proof PVC, self-extinguishing, UL 94V-0 flammability rating
- Colour: Grey
- Maximum service temperature: 85°C
- UL Test up to 50°C
- Used for routing of wires within devices in factory installations
- Features 8mm wide parallel slots on both sidewalls to facilitate cutting in wire application
- Pre-drilled mounting holes in base
- UL recognized E97527, CSA certified LR82854, VDE approved, CE compliant
- Pack contains 5 × wiring ducts - 2m lengths and 5 x wiring duct covers

Diagram



Dimensions : Millimetres

Part Number Table

Description	Dimension		Part Number
	W	H	
MD Series Slotted Wall Wiring Duct	45 ±1mm	65 ±2mm	PP-MD5L
	72 ±2mm	64 ±2mm	PP-MD6L
	48 ±1mm	100 ±2.5mm	PP-MD6.7L

Important Notice : This data sheet and its contents (the "Information") belong to the members of the Premier Farnell group of companies (the "Group") or are licensed to it. No licence is granted for the use of it other than for information purposes in connection with the products to which it relates. No licence of any intellectual property rights is granted. The Information is subject to change without notice and replaces all data sheets previously supplied. The Information supplied is believed to be accurate but the Group assumes no responsibility for its accuracy or completeness, any error in or omission from it or for any use made of it. Users of this data sheet should check for themselves the Information and the suitability of the products for their purpose and not make any assumptions based on information included or omitted. Liability for loss or damage resulting from any reliance on the Information or use of it (including liability resulting from negligence or where the Group was aware of the possibility of such loss or damage arising) is excluded. This will not operate to limit or restrict the Group's liability for death or personal injury resulting from its negligence. pro-POWER is the registered trademark of the Group. © Premier Farnell Limited 2016.

www.element14.com
 www.farnell.com
 www.newark.com
 www.cpc.co.uk

pro-POWER