

Plug-In Printed
Circuit Type
(APC Type)



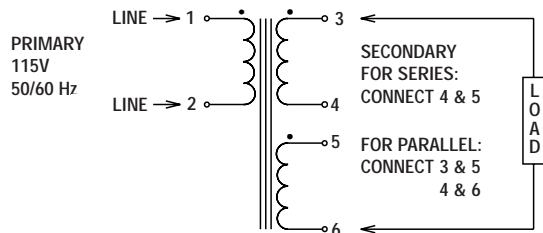
All Single Primaries are 115V 50/60Hz, 6 Pins
All Dual Primaries are 115/230V 50/60Hz, 8 Pins

STANCOR PART Sec. NUMBER	Primary Style	Primary Winding	VA	AC/DC	Rated Output						DIMENSIONS - INCHES						Weight (lbs.)	Agency* Certif.		
					Individual Volts	Individual mA	Series Volts	Series mA	Parallel Volts	Parallel mA	H	W	L	MW	A	B			C	
A	PPC-1	PC	Single	1.5	AC	4.0	188	8.0 C.T.	188	4.0	376	1.19	1.41	1.16	-	-	0.31	1.00	0.22	UL
	PPC-2	PC	Single	1.5	AC	7.5	100	15.0 C.T.	100	7.5	200	1.19	1.41	1.16	-	-	0.31	1.00	0.22	UL
	PPC-46	PC	Dual	1.5	AC	7.5	100	15.0 C.T.	100	7.5	200	1.19	1.41	1.16	-	-	0.20	1.00	0.22	UL
	PPC-3	PC	Single	1.5	AC	15.0	50	30.0 C.T.	50	15.0	100	1.19	1.41	1.16	-	-	0.31	1.00	0.22	UL
	PPC-8	PC	Dual	1.5	AC	15.0	50	30.0 C.T.	50	15.0	100	1.19	1.41	1.16	-	-	0.20	1.00	0.22	UL
B	PPC-7	PC	Single	1.5	AC	20.0	38	40.0 C.T.	38	20.0	76	1.19	1.41	1.16	-	-	0.31	1.00	0.22	UL
	PPC-4	PC	Single	1.5	AC	27.0	28	54.0 C.T.	28	27.0	56	1.19	1.41	1.16	-	-	0.31	1.00	0.22	UL
	PPC-6	PC	Single	1.5	AC	58.0	13	116.0 C.T.	13	58.0	26	1.19	1.41	1.16	-	-	0.31	1.00	0.22	UL
	PPC-51	PC	Dual	1.5	AC	115.0	6.5	230.0 C.T.	6.5	115.0	13	1.19	1.41	1.16	-	-	0.20	1.00	0.22	UL
	PPC-11	APC	Single	4.5	AC	4.0	562	8.0 C.T.	562	4.0	1130	1.44	2.38	1.25	2.00	-	0.40	1.10	0.47	UL
C	PPC-18	APC	Dual	4.5	AC	6.3	350	12.6 C.T.	350	6.3	700	1.44	2.38	1.25	2.00	-	0.25	1.10	0.47	UL
	PPC-12	APC	Single	4.5	AC	7.5	300	15.0 C.T.	300	7.5	600	1.44	2.38	1.25	2.00	-	0.40	1.10	0.47	UL
	PPC-47	APC	Dual	4.5	AC	7.5	300	15.0 C.T.	300	7.5	600	1.44	2.38	1.25	2.00	-	0.25	1.10	0.47	UL
	PPC-19	APC	Dual	4.5	AC	8.0	280	16.0 C.T.	280	8.0	560	1.44	2.38	1.25	2.00	-	0.25	1.10	0.47	UL
	PPC-28	APC	Dual	4.5	AC	10.0	225	20.0 C.T.	225	10.0	450	1.44	2.38	1.25	2.00	-	0.25	1.10	0.47	UL
D	PPC-20	APC	Dual	4.5	AC	12.0	180	24.0 C.T.	180	12.0	360	1.44	2.38	1.25	2.00	-	0.25	1.10	0.47	UL
	PPC-13	APC	Single	4.5	AC	15.0	150	30.0 C.T.	150	15.0	300	1.44	2.38	1.25	2.00	-	0.40	1.10	0.47	UL
	PPC-48	APC	Dual	4.5	AC	15.0	150	30.0 C.T.	150	15.0	300	1.44	2.38	1.25	2.00	-	0.25	1.10	0.47	UL
	PPC-17	APC	Single	4.5	AC	20.0	112	40.0 C.T.	112	20.0	224	1.44	2.38	1.25	2.00	-	0.40	1.10	0.47	UL
	PPC-14	APC	Single	4.5	AC	27.0	84	54.0 C.T.	84	27.0	168	1.44	2.38	1.25	2.00	-	0.40	1.10	0.47	UL
E	PPC-22	APC	Single	7.5	AC	7.5	500	15.0 C.T.	500	7.5	1000	1.63	2.81	1.47	2.38	-	0.40	1.30	0.66	UL
	PPC-23	APC	Single	7.5	AC	15.0	250	30.0 C.T.	250	15.0	500	1.63	2.81	1.47	2.38	-	0.40	1.30	0.66	UL
	PPC-27	APC	Single	7.5	AC	20.0	188	40.0 C.T.	188	20.0	376	1.63	2.81	1.47	2.38	-	0.40	1.30	0.66	UL
	PPC-56	PC	Dual	24.0	AC	8.0	1500	16.0 C.T.	1500	8.0	3000	1.44	1.63	2.31	-	-	0.25	2.11	0.90	UL
	PPC-57	PC	Dual	24.0	AC	10.0	1200	20.0 C.T.	1200	10.0	2400	1.44	1.63	2.31	-	-	0.25	2.11	0.90	UL
	PPC-58	PC	Dual	24.0	AC	12.0	1000	24.0 C.T.	1000	12.0	2000	1.44	1.63	2.31	-	-	0.25	2.11	0.90	UL

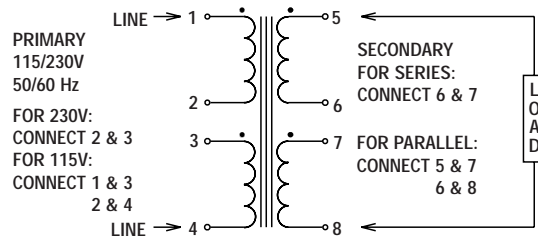
* Agency Certification Note: UL Recognized (File E68100)

For outline drawings refer to page 34.

PPC Type (Single Input)



PPC Type (Dual Input)



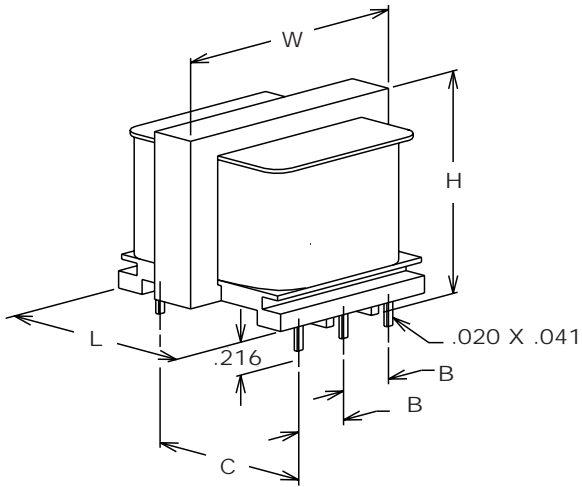
White-Rodgers • Emerson Electric Co.
9797 Reavis Road • St. Louis, MO 63123
(314) 865-8799 • Fax (314) 638-2400



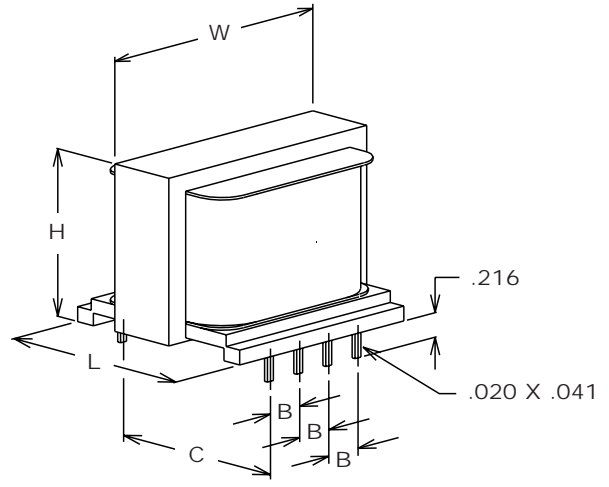
STANCOR 33

Plug-In Printed Circuit Series

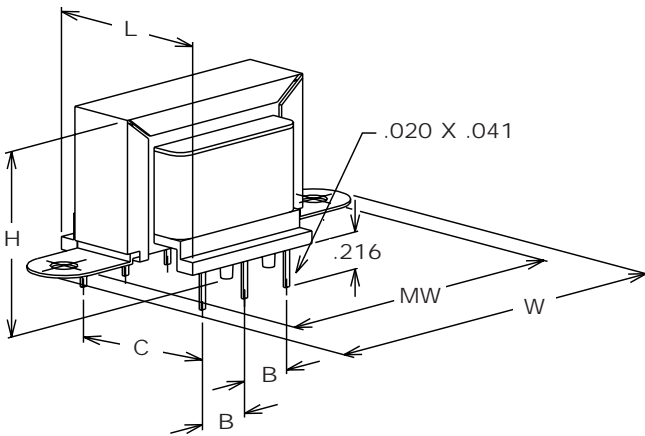
PC Style (Single)



PC Style (Dual)



APC Style (Single)



APC Style (Dual)

