

⚠ WARNING



ELECTROCUTION HAZARD

Disconnect electric power to system at main fuse or circuit breaker box before servicing. Failure to do so could result in death or serious injury.



FIRE HAZARD

Do not exceed transformer ratings. Higher voltage may damage control and could cause personal injury or property damage.

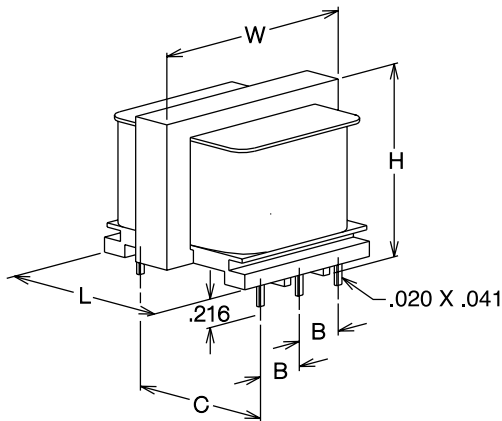
SPECIFICATIONS:

INPUT:	Single – 115V, 50/60Hz Dual – 115/230V, 50/60Hz
OUTPUT:	See table on reverse side
INSULATION RATING:	Class A (105°C)
TEMPERATURE RISE:	65°C Max. rise over 40°C Max. ambient
DIELECTRIC STRENGTH:	1500 VRMS
AGENCY STANDARDS:	UL Recognized to UL-506
FILE NOs.:	UL File #E68100

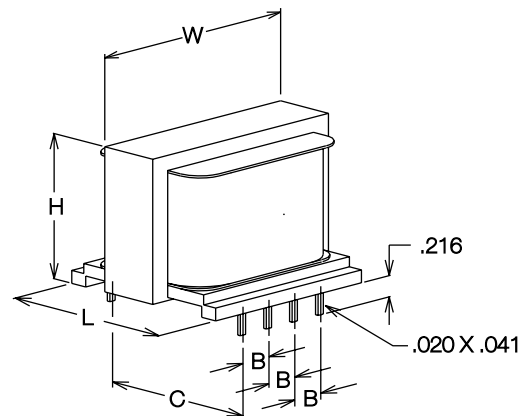
NOTES:

1. All dimensions in inches, unless otherwise specified.
2. All dimensions $\pm .062$, unless otherwise specified.

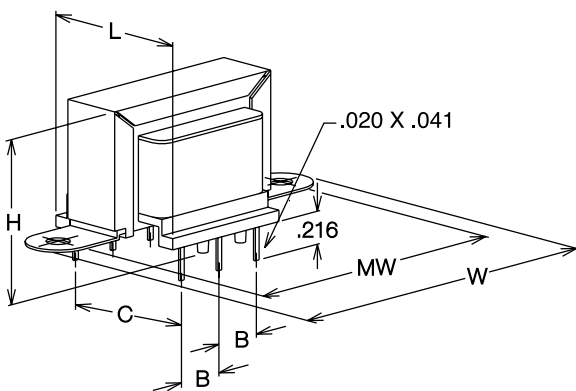
PC STYLE (SINGLE)



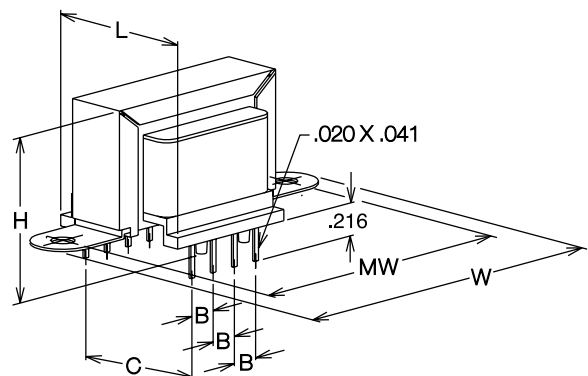
PC STYLE (DUAL)



APC STYLE (SINGLE)



APC STYLE (DUAL)



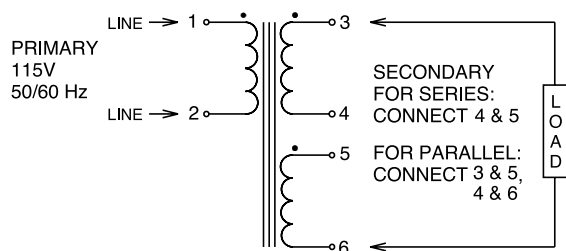
Plug-In Printed Circuit Transformers

All Single Primaries are 115V 50/60Hz. 6 Pins
 All Dual Primaries are 115/230V 50/60Hz. 8 Pins

STANCOR Part No.	Style	Primary Winding	VA	RATED OUTPUT							DIMENSIONS (inches)						Weight (lbs.)
				AC/DC	Individual		Series		Parallel		H	W	L	MW	B	C	
					Volts	mA	Volts	mA	Volts	mA							
PPC-1	PC	Single	1.5	AC	4.0	188	8.0 C.T.	188	4.0	376	1.19	1.41	1.16	-	0.31	1.00	0.22
PPC-2	PC	Single	1.5	AC	7.5	100	15.0 C.T.	100	7.5	200	1.19	1.41	1.16	-	0.31	1.00	0.22
PPC-46	PC	Dual	1.5	AC	7.5	100	15.0 C.T.	100	7.5	200	1.19	1.41	1.16	-	0.20	1.00	0.22
PPC-3	PC	Single	1.5	AC	15.0	50	30.0 C.T.	50	15.0	100	1.19	1.41	1.16	-	0.31	1.00	0.22
PPC-8	PC	Dual	1.5	AC	15.0	50	30.0 C.T.	50	15.0	100	1.19	1.41	1.16	-	0.20	1.00	0.22
PPC-7	PC	Single	1.5	AC	20.0	38	40.0 C.T.	38	20.0	76	1.19	1.41	1.16	-	0.31	1.00	0.22
PPC-4	PC	Single	1.5	AC	27.0	28	54.0 C.T.	28	27.0	56	1.19	1.41	1.16	-	0.31	1.00	0.22
PPC-6	PC	Single	1.5	AC	58.0	13	116.0 C.T.	13	58.0	26	1.19	1.41	1.16	-	0.31	1.00	0.22
PPC-51	PC	Dual	1.5	AC	115.0	6.5	230.0 C.T.	6.5	115.0	13	1.19	1.41	1.16	-	0.20	1.00	0.22
PPC-11	APC	Single	4.5	AC	4.0	562	8.0 C.T.	562	4.0	1130	1.44	2.38	1.25	2.00	0.40	1.10	0.47
PPC-18	APC	Dual	4.5	AC	6.3	350	12.6 C.T.	350	6.3	700	1.44	2.38	1.25	2.00	0.25	1.10	0.47
PPC-12	APC	Single	4.5	AC	7.5	300	15.0 C.T.	300	7.5	600	1.44	2.38	1.25	2.00	0.40	1.10	0.47
PPC-47	APC	Dual	4.5	AC	7.5	300	15.0 C.T.	300	7.5	600	1.44	2.38	1.25	2.00	0.25	1.10	0.47
PPC-19	APC	Dual	4.5	AC	8.0	280	16.0 C.T.	280	8.0	560	1.44	2.38	1.25	2.00	0.25	1.10	0.47
PPC-28	APC	Dual	4.5	AC	10.0	225	20.0 C.T.	225	10.0	450	1.44	2.38	1.25	2.00	0.25	1.10	0.47
PPC-20	APC	Dual	4.5	AC	12.0	180	24.0 C.T.	180	12.0	360	1.44	2.38	1.25	2.00	0.25	1.10	0.47
PPC-13	APC	Single	4.5	AC	15.0	150	30.0 C.T.	150	15.0	300	1.44	2.38	1.25	2.00	0.40	1.10	0.47
PPC-48	APC	Dual	4.5	AC	15.0	150	30.0 C.T.	150	15.0	300	1.44	2.38	1.25	2.00	0.25	1.10	0.47
PPC-17	APC	Single	4.5	AC	20.0	112	40.0 C.T.	112	20.0	224	1.44	2.38	1.25	2.00	0.40	1.10	0.47
PPC-14	APC	Single	4.5	AC	27.0	84	54.0 C.T.	84	27.0	168	1.44	2.38	1.25	2.00	0.40	1.10	0.47
PPC-22	APC	Single	7.5	AC	7.5	500	15.0 C.T.	500	7.5	1000	1.69	2.81	1.47	2.38	0.40	1.30	0.66
PPC-23	APC	Single	7.5	AC	15.0	250	30.0 C.T.	250	15.0	500	1.69	2.81	1.47	2.38	0.40	1.30	0.66
PPC-27	APC	Single	7.5	AC	20.0	188	40.0 C.T.	188	20.0	376	1.69	2.81	1.47	2.38	0.40	1.30	0.66
PPC-56	PC	Dual	24.0	AC	8.0	1500	16.0 C.T.	1500	8.0	3000	1.44	1.63	2.31	-	0.25	2.11	0.90
PPC-57	PC	Dual	24.0	AC	10.0	1200	20.0 C.T.	1200	10.0	2400	1.44	1.63	2.31	-	0.25	2.11	0.90
PPC-58	PC	Dual	24.0	AC	12.0	1000	24.0 C.T.	1000	12.0	2000	1.44	1.63	2.31	-	0.25	2.11	0.90

Connection Diagrams

PPC TYPE (SINGLE INPUT)



PPC TYPE (DUAL INPUT)

