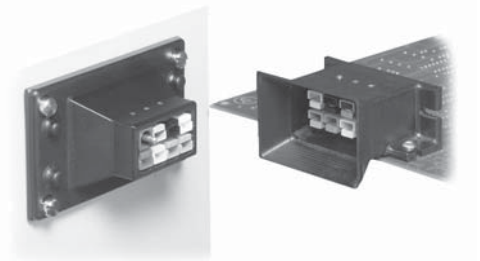


Anderson Power Products® (APP) now offers the Blindmate Powerpole® Pak for wire to printed circuit board applications. The Blindmate Powerpole® Pak corrects for up to .45" of misalignment.

The Blindmate Powerpole® Pak, was a custom assembly for unique power requirements in the Communications and Uninterruptible Power Supply (UPS) markets. It can now be ordered as individual components enabling customers to customize the Blindmate Powerpole® Pak for unique applications.

FEATURES

- Corrects for .45" misalignment**
Allows units to self-align during Blindmate (Rack & Panel applications)
- Dovetail contact housings**
Can be configured in almost any combination to provide signal power and make first / break last circuits as well as unique keying
- Wide range of contact sizes**
Provides engineers flexibility during system design



PRODUCT SPECIFICATIONS

Connector Model	PP10	PP15	PCB25	PP30	PP45	Material Properties	
UL Current Rating (Amperes)*	10	15	25	30	45	Blindmate Housing	Polycarbonate, UL94 V-0
UL Voltage Ratings (Volts)**	600*					Powerpole Housing	Polycarbonate, UL94 V-0
Contact Barrel Wire Size (AWG) (mm²)	#14 / #16 2.1 to 1.3	#16 / #20 1.3 to .5	N/A N/A	#12 / #16 3.3 to 1.3	#10 / #14 5.3 to 2.1	Powerpole Contacts	Base metal copper
Maximum Wire Insulation Diameter (inches) (mm)	0.137 3.48	0.175 4.45	N/A N/A	0.175 4.45	0.175 4.45	Plating	Wire contacts - tin or silver PCB contacts - tin
AVG Contact Resistance* (micro-ohms)	2200	875	600	600	525	Powerpole Springs	Stainless steel
Insulation Withstanding Test Voltage (Volts AC/DC)	2200					Mechanical Properties	
Contact Retention Force (lbf)	25	25	25	25	35	Mating Cycle	500 min (loaded blindmate housing)
Avg. Connection/Disconnect (lbf)	5 - LD N/A	3 - LD 5 - HD	3 - LD 5 - HD	3 - LD 5 - HD	3 - LD 5 - HD	Mating Force	25 lbs average (fully loaded housing)
Operating Temperature Range °C*** °F	-20° to 105° -4° to 221°					Misalignment Allowance	Radial - .45 max inches (1.14mm) Vertical - .45 max inches (11.43mm) Horizontal - .47 max inches (11.93mm)
Flammability Rating of Housing Material	UL94 V-0					Engagement Distance	.900 (±.010) inches 22.86 (±.25) mm

* UL Rated for 65°C largest wire or cable size ** Both AC & DC Voltage *** Contact factory for higher temperature rated connectors



ORDERING INFORMATION

Housings Only

Part Number	Description
BMPP10-45P	2 x 4 Blindmate plug, hardware & pin
BMPP10-45R	2 x 4 Blindmate receptacle, hardware & pin
BMHSG-P	2 x 4 Plug housing only
BMHSG-R	2 x 4 Receptacle housing only
1327	PP15/45 red housing
1327G5	PP15/45 green
1327G6	PP15/45 black
1327G7	PP15/45 white
1327G8	PP15/45 blue
1327G16	PP15/45 yellow
1327G17	PP15/45 orange
1327G18	PP15/45 gray
1327G21	PP15/45 brown
1327G22	PP15/45 pink
1327G23	PP15/45 purple
PP30GND-P	Powerpole pin, green
PP30GND-S	Powerpole socket, green

* LD - low detent or HD - high detent
 Note: For additional colors please contact customer service.
 For finger proof housings see page 18.

Contacts Only*

Part Number	Description	Wire AWG	Wire sq. mm
1331	PP30 amp, loose piece - LD	12/16	3.31/1.31
1332	PP15 amp, loose piece - LD	16/20	1.31/.52
261G2-LPBK	PP45 amp, loose piece - LD	10/14	5.26/2.08
1230G1	PP30 amp pin	10	5.26
1232G1	PP30 amp socket	10	5.26
261G1	PP30 amp, reel - LD	12/16	3.31/1.31
261G2	PP45 amp, reel - LD	10/14	5.26/2.08
262G1	PP15 amp, reel - LD	16/20	1.31/.52
1377G1	Right Angle - LD	0.70	17.8
1377G2	Right Angle - LD	0.40	10.2
1377G11	Right Angle - LD	0.70	17.8
1377G12	Right Angle - LD	0.40	10.2
1377G14	Right Angle - LD	0.18	4.6
1377G15	Right Angle - LD	1.02	25.9
1377G16	Right Angle - LD	0.72	18.3
1377G17	Right Angle - LD	0.88	22.4
1377G18	Right Angle - LD	0.58	14.7
1317G1	Right Angle - HD	0.70	17.8
1317G2	Right Angle - HD	0.40	10.2
1317G11	Right Angle - HD	0.70	17.8

contacts only continued

Part Number	Description	Wire AWG	Wire sq. mm
1317G12	Right Angle - LD	0.40	10.2
1317G14	Right Angle - LD	0.18	4.6
1317G15	Right Angle - LD	1.02	25.9
1317G16	Right Angle - LD	0.72	18.3
1317G17	Right Angle - LD	0.88	22.4
1317G18	Right Angle - LD	0.58	14.7
1377G3	Straight Terminal - LD	2.16	54.9
1377G4	Straight Terminal - LD	1.7	43.2
1377G13	Straight Terminal - LD	1.11	28.2
1317G3	Straight Terminal - HD	2.16	54.9
1317G4	Straight Terminal - HD	2.16	43.2
1317G13	Straight Terminal - HD	1.11	28.2

Hardware

Part Number	Description
110G50	Used with BMHSG-P
110G51	Used with BMHSG-R

HEADQUARTERS: Anderson Power Products®, 13 Pratts Junction Road, Sterling, MA 01564-2305 USA T:978-422-3600 F:978-422-3700

EUROPE: Anderson Power Products® Ltd., Unit 3, Europa Court, Europa Boulevard, Westbrook, Warrington, Cheshire, WA5 7TN United Kingdom T: +44 (0) 1925 428390 F: +44 (0) 1925 428399

ASIA / PACIFIC: IDEAL Anderson Asia Pacific Ltd., Unit 922-928 Topsail Plaza, 11 On Sum Street, Shatin N.T., Hong Kong T: +(852) 2636 0836 F: +(852) 2635 9036

CHINA: IDEAL Anderson Technologies (Shenzhen) Ltd., Block A8 Tantou Western Industrial Park, Songgang Baoan District, Shenzhen, P.R. China 518105 T: +(86) 755 2768 2118 F: +(86) 755 2768 2218

TAIWAN: IDEAL Anderson Asia Pacific Ltd., Taiwan Branch, 4F.-2, No.116, Dadun 20th St., Situn District, Taichung City 407, Taiwan (R.O.C.) T: +(886) 4 2310 6451 F: +(886) 4 2310 6460

ORDERING INFORMATION

Tooling

Part Number	Description
1387G1	Pneumatic Tool
1388G8	- Die #10
1389G8	- Locator #10
260G1	Applicator only (110V & 220V)
260G14*	Applicator only (110V & 220V)
260G15*	Applicator only (110V & 220V)
260G18**	Applicator only (110V & 220V)
280G1	Applicator and press (110V, 60Hz)
250G1	Press only (110V, 60Hz)
280G4	Applicator and press (220V, 50Hz)
250G2	Press only (220V, 50Hz)

* Denotes mini-style applicator for use with existing "K" or "T" press

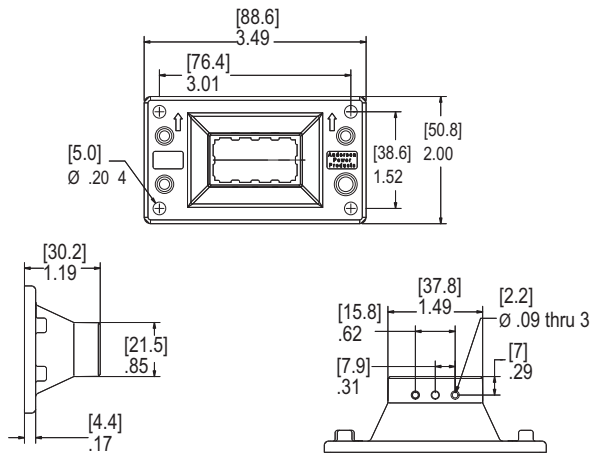
** Denotes mini-style applicator for use with existing "K" or "T" and "G" press

Tooling

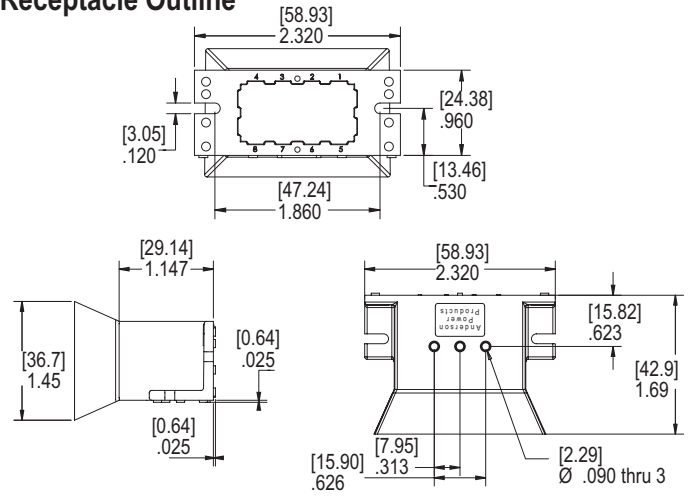
Part Number	Description
111038G2	Contact insertion/extraction tool
1309G3	Hand tool for p/n 261G2-LPBK
1309G2	Hand tool #12 to #20
1309G5	Hand tool for p/n 200G2L & 201G2H
1396G1	Hand Tool

DIMENSIONS

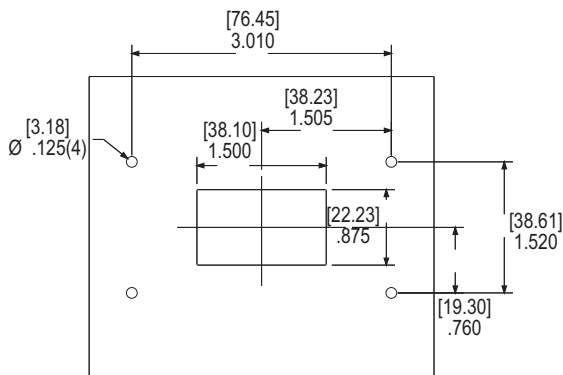
Plug Outline



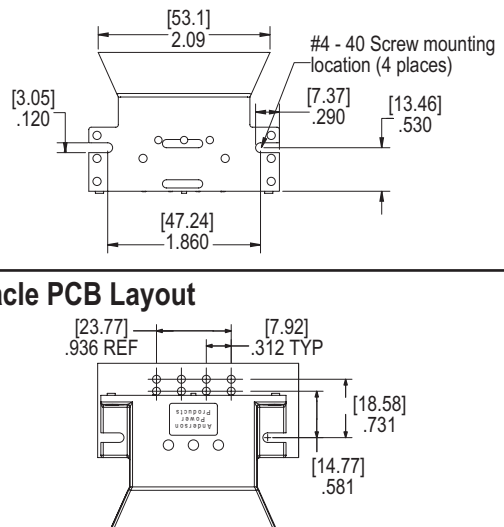
Receptacle Outline



Plug Panel Cutout



Receptacle PCB Layout



Powerpole® 1327, 1345 and 1330 series



File No. LR25154



File No. E26226 All Data Subject To Change Without Notice

DS-BM REV06

HEADQUARTERS: Anderson Power Products®, 13 Pratts Junction Road, Sterling, MA 01564-2305 USA T:978-422-3600 F:978-422-3700

EUROPE: Anderson Power Products® Ltd., Unit 3, Europa Court, Europa Boulevard, Westbrook, Warrington, Cheshire, WA5 7TN United Kingdom T: +44 (0) 1925 428390 F: +44 (0) 1925 428399

ASIA / PACIFIC: IDEAL Anderson Asia Pacific Ltd., Unit 922-928 Topsail Plaza, 11 On Sum Street, Shatin N.T., Hong Kong T: +(852) 2636 0836 F: +(852) 2635 9036

CHINA: IDEAL Anderson Technologies (Shenzhen) Ltd., Block A8 Tantou Western Industrial Park, Songgang Baoan District, Shenzhen, P.R. China 518105 T: +(86) 755 2768 2118 F: +(86) 755 2768 2218

TAIWAN: IDEAL Anderson Asia Pacific Ltd., Taiwan Branch, 4F-2, No.116, Dadun 20th St., Situn District, Taichung City 407, Taiwan (R.O.C.) T: +(886) 4 2310 6451 F: +(886) 4 2310 6460

www.andersonpower.com